

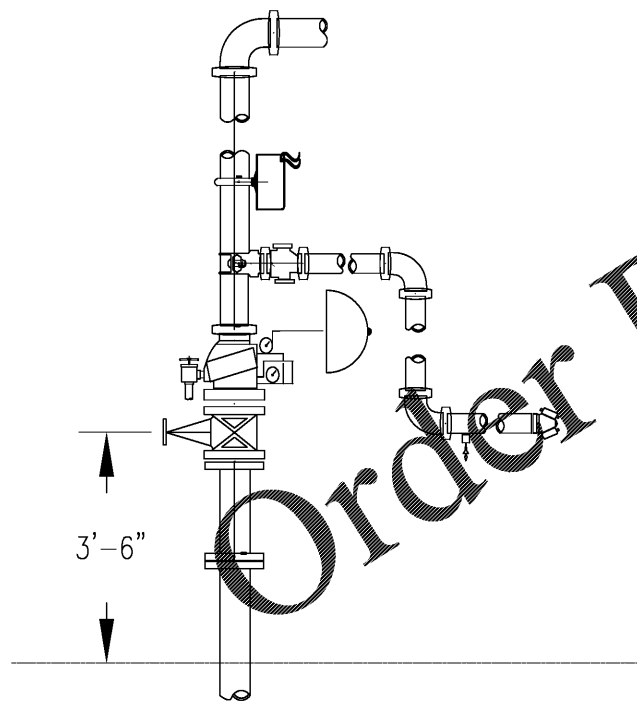
THIS DRAWING AND THE DESIGN SHOWN THEREON ARE THE PROPERTY OF JEFF LEWIS, AIA. THE REPRODUCTION, COPYING OR OTHER USE OF THIS DRAWING WITHOUT WRITTEN CONSENT OF JEFF LEWIS AIA IS PROHIBITED AND INFRINGEMENTS WILL BE SUBJECT TO LEGAL ACTION.



**Fire Protection Sprinkler System Specification Sheet**  
(Per 408-10-200)

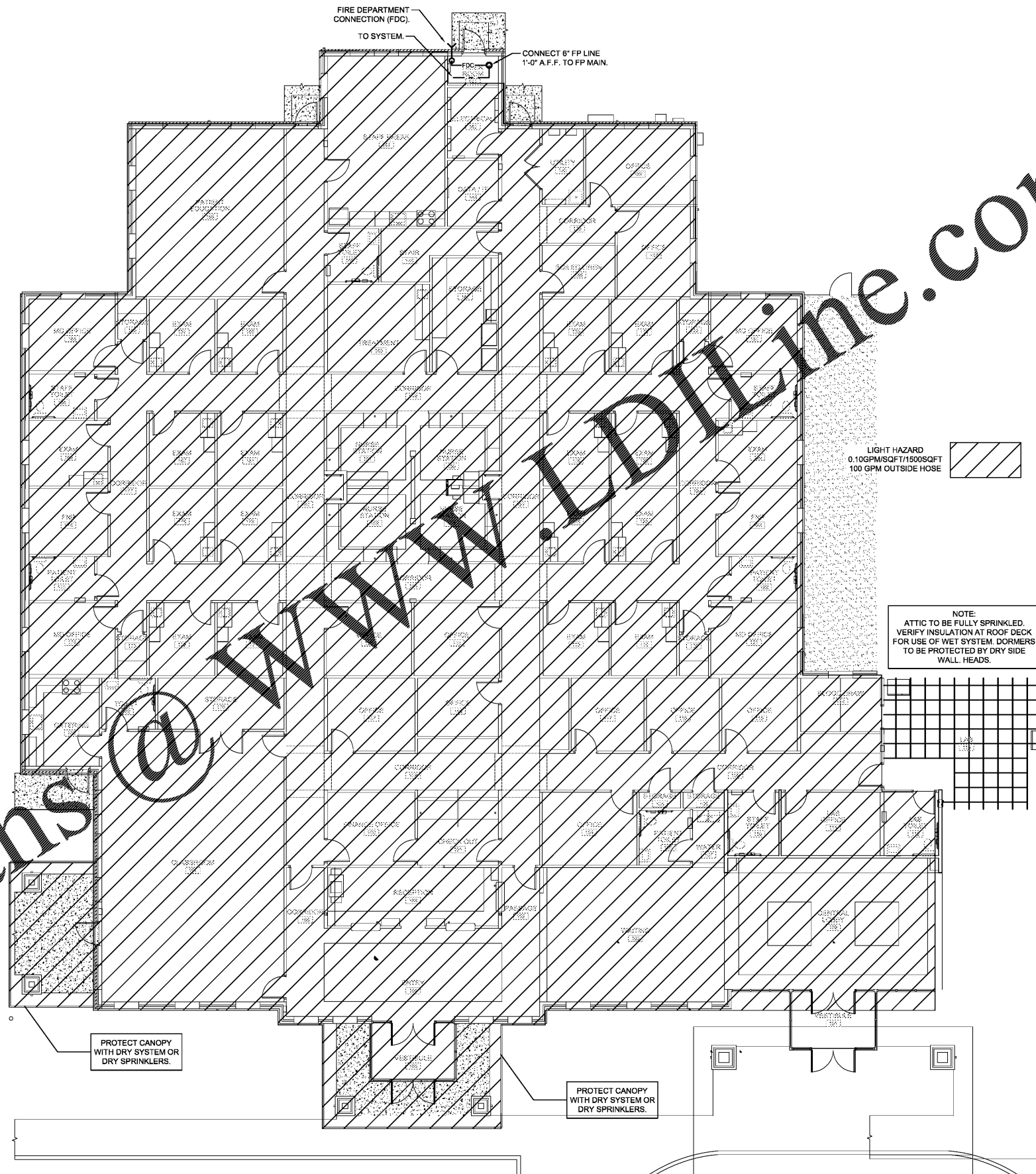


<b>Project Data</b>			
Project name: Sandhills Medical Foundation - Lugoff			
Location in South Carolina:	Address (street # & street name): 28 Baldwin Avenue	City: Lugoff	County: Kershaw
State project: <input type="checkbox"/> Yes <input checked="" type="checkbox"/> No	State project #:	No	
<b>Water Supply Information</b> (flow test data must be less than 1 year old per 408-10-250(A)(1))			
Date test conducted: 07-16-19	Static pressure (psi): 100	Residual pressure (psi): 35	Flow (gpm): 1,000
Distances of test gauges relative to the base of the riser: Horizontal (ft): _____ Vertical (elevation difference in ft): _____			
Source of water supply: <input type="checkbox"/> Municipal dead end <input type="checkbox"/> Municipal circulation <input type="checkbox"/> Other: _____			
Pipe Size (in.): _____			
Test data by/for: Name: Lee Tart Title: _____			
Organization: _____ Telephone #: _____			
Fire pump: <input type="checkbox"/> Yes <input checked="" type="checkbox"/> No Pump Capacity (gpm): _____ Churn Pressure (psi): _____			
<input type="checkbox"/> New <input type="checkbox"/> Existing Rated Pressure (psi): _____ Pressure @ 150% flow (psi): _____			
On-site storage tank: <input type="checkbox"/> Yes <input checked="" type="checkbox"/> No <input type="checkbox"/> Existing Tank capacity (gallons): _____			
<b>NFPA Hazard Classification</b> (attach continuation page when necessary)			
Area #:	Class or Code Reference:	Description of Hazard Protected (conservative description, storage height, and arrangement as applicable):	
1	Light Hazard	All areas unless otherwise noted	
2	Ordinary GP I	Fee Attic	
<b>Design Parameters</b> (attach continuation page when necessary)			
Area #:	System Type:	Density (gpm/sqft):	Area (sq ft) or Other (conservative code section):
1	Wet	.10 GPM / 1500 SQ. FT.	0
2	Wet	.15 GPM / 1950 SQ. FT.	0
Outside Hose (gpm):	125		
<b>Selected Design Data: K<sub>t</sub> = 0.407</b>			
<b>Codes and Standards</b> (attach continuation page when necessary)			
Applicable Codes, Standards & Editions (attach continuation page when necessary):			
NFPA 13 - 2013 Edition; IBC 2015 Edition; Kershaw County; City of Lugoff; and LLR Requirements			
Scope of work (such as sprinkler systems A.G. from 1'-0" A.F.P. U.G. from top to 5'-0" outside, etc.) and notes (attach continuation page when necessary):			
Sprinkler system A.G. from 1'-0" A.F.P. All areas			
<b>Specifier's Information</b>			
Name: Philip P. Clayton, Jr. P. E.			
Engineering services provided through a firm: <input checked="" type="checkbox"/> Yes <input type="checkbox"/> No			
Firm name: MECA, Inc.			
Address: 2330 Main Street			
City: Columbia			
State: South Carolina Zip: 29201			
Phone #: 803-765-9421 Fax #: 803-765-9848			
E-mail: philclayton@meccainc.com or meca@meccainc.com			
Certificate of Authorization		Professional Engineer's Seal	
Revision No: _____ Page 1 of 1		Signature: Philip P. Clayton	
Form: TP Spec Sheet Date: July 18, 2019 (Download latest at <a href="http://www.llr.state.sc.us/tutorials/index.asp?file=fortus.htm">http://www.llr.state.sc.us/tutorials/index.asp?file=fortus.htm</a> )			



**FIRE SPRINKLER RISER DETAIL**

NO SCALE



**1 OVERALL FIRST FLOOR FIRE PROTECTION PLAN**  
FP101 1/8" = 1'-0"



Columbia Office  
P.O. Box 50644  
Columbia, South Carolina  
Phone: (803) 765-9421

Designed: MAB  
Approved: PPC  
Job No.: 116241L  
Plot Date: 08/21/2019



561 JACOBS MILL POND ROAD  
ELGIN, SOUTH CAROLINA 29046  
803.980.5026 / jeff@jefflewis.com



LUGOFF FACILITY EXPANSION  
SANDHILLS MEDICAL FOUNDATION

28 BALDWIN AVENUE  
LUGOFF, SOUTH CAROLINA 29078

OVERALL FIRST FLOOR FIRE PROTECTION PLAN

REV.	DATE	DESCRIPTION

JOB #: 16-036-1 07-15-2019

**FP101**