

THIS DRAWING AND THE DESIGN SHOWN THEREON ARE THE PROPERTY OF JEFF LEWIS, AIA. THE REPRODUCTION, COPYING OR OTHER USE OF THIS DRAWING WITHOUT WRITTEN CONSENT OF JEFF LEWIS AIA IS PROHIBITED AND INFRINGEMENTS WILL BE SUBJECT TO LEGAL ACTION.

EXPANSION TANK SCHEDULE

| | |
|-------------------------|-----------------------|
| SYMBOL | ET-1 |
| MANUFACTURER | AMTROL (THERM-X-TROL) |
| MODEL NUMBER | ST-5 |
| TANK VOLUME (GALLONS) | 2.0 |
| ACCEPTANCE VOLUME (GAL) | 0.9 |
| TANK DIAMETER (INCHES) | 8 |
| TANK HEIGHT (INCHES) | 13 |
| FILL PRESSURE (PSIG) | 40 |
| OPERATING WEIGHT (LBS) | 12.5 |
| SERVICE | DOM. HOT WATER |
| MAXIMUM PRESSURE (PSIG) | 150 |
| REMARKS: | |

RECIRCULATION PUMP SCHEDULE

| | |
|--------------------------|--|
| SYMBOL | RP-1 |
| MANUFACTURER | BELL & GOSSETT |
| MODEL NUMBER | PL-30 |
| FLOW (G.P.M.) | 4.5 |
| TOTAL DYNAMIC HEAD (FT.) | 13.03 |
| MOTOR | HORSEPOWER 1/12 R.P.M. 2650 VOLTAGE 115-1-60 |
| IMPELLOR DIAMETER (IN.) | N/A |
| SUCTION SIZE (IN.) | 3/4" |
| DISCHARGE SIZE (IN.) | 3/4" |
| REMARKS: | PLUMBING CONTRACTOR TO VERIFY VOLTAGE WITH THE ELECTRICAL CONTRACTOR PRIOR TO RELEASING EQUIPMENT FROM THE MANUFACTURER. |

PLUMBING FIXTURE SCHEDULE

| SYMBOL | DESCRIPTION | CONNECTION | | | REMARKS |
|--------|----------------------------|------------|--------|-------|--|
| | | CW | HW | WASTE | |
| P-1 | WATER CLOSET | 1/2" | --- | 3" | FLOOR MOUNTED TANK TYPE |
| P-2 | LAVATORY | 1/2" | 1/2" | 2" | RECT. WALL MOUNTED |
| P-3 | HAND SINK | 1/2" | 1/2" | 2" | RECT. TOP MOUNTED |
| P-3A | HAND SINK | 1/2" | 1/2" | 2" | RECT. TOP MOUNTED W/ EYE WASH |
| P-4 | BREAK ROOM SINK | 1/2" | 1/2" | 2" | RECT. TOP MOUNTED |
| P-4A | PHARMACY SINK | 1/2" | 1/2" | 2" | RECT. TOP MOUNTED |
| P-4B | LAB SINK | 1/2" | 1/2" | 2" | RECT. TOP MOUNTED W/ EYE WASH |
| P-5 | JANITOR'S SINK | 1/2" | 1/2" | 3" | RECT. FLOOR MOUNTED |
| P-6 | ELECTRIC WATER COOLER | 1/2" | --- | 2" | HI-LO |
| ECO | EXTERIOR CLEANOUT | --- | --- | --- | REMARKS SIZE PER FLOOR PLAN |
| ES | EMERGENCY SHOWER | 1-1/4" | 1/2" | --- | AT P-5; COORD. FINAL LOCATION WITH ARCHITECT |
| FCO | FLOOR CLEANOUT | --- | --- | --- | REMARKS SIZE PER FLOOR PLAN |
| FD | FLOOR DRAIN | --- | --- | --- | REMARKS SIZE PER FLOOR PLAN |
| IWH | INSTANTANEOUS WATER HEATER | 1-1/2" | 1-1/2" | --- | 199,000 btuh |
| WH | WALL HYDRANT | 3/4" | --- | --- | --- |

GENERAL PLUMBING NOTES

DO NOT SCALE DRAWINGS. ROUGH FROM ARCHITECTURAL AND/OR EQUIPMENT MANUFACTURERS DRAWINGS AND ROUGH IN SPECIFICATIONS. REFER TO ARCHITECTURAL DRAWINGS FOR LOCATION AND PLACEMENT OF FIXTURES.

DIMENSIONS ARE IN INCHES UNLESS OTHERWISE NOTED.

ALL HORIZONTAL SANITARY SEWER, WASTE AND DRAIN PIPING SHOWN ON DRAWINGS IS RUN BELOW FLOOR UNLESS OTHERWISE NOTED ON DRAWINGS.

ALL WATER, SERVICE AND ROOF DRAIN PIPING SHOWN ON DRAWINGS IS RUN ABOVE CEILING UNLESS OTHERWISE NOTED ON DRAWINGS.

HOSE BIBBS AND/OR WALL HYDRANTS SHALL BE LOCATED 18" ABOVE FINISHED FLOOR LEVEL OR GRADE.

ALL VALVES INSTALLED ABOVE CEILINGS SHALL BE EASILY ACCESSIBLE. WHERE VALVES ARE INSTALLED ABOVE GYPSUM BOARD CEILINGS, PLUMBING CONTRACTOR SHALL PROVIDE ACCESS DOOR(S), MINIMUM 16"x16", TO ALLOW EASY ACCESS.

PLUMBING CONTRACTOR SHALL VERIFY ELECTRICAL VOLTAGES WITH ELECTRICAL CONTRACTOR PRIOR TO SUBMITTING SHOP DRAWING AND ORDERING EQUIPMENT.

PLUMBING CONTRACTOR SHALL VERIFY ALL RATED WALL ASSEMBLIES, FLOORS AND ROOF ASSEMBLIES WITH ARCHITECTURAL DRAWINGS AND GENERAL CONTRACTOR AND SHALL PROVIDE APPROPRIATE PENETRATION ASSEMBLY FOR ALL PENETRATIONS OF WALLS, FLOORS AND ROOFS WHETHER IDENTIFIED ON DRAWINGS OR NOT.

ALL FLOOR PENETRATIONS ARE TO BE SEALED WATER TIGHT. WHERE PENETRATIONS OCCUR IN RATED FLOOR ASSEMBLIES, SEALING MUST CARRY A CLASS 1 "W" RATING.

PLUMBING CONTRACTOR SHALL VERIFY LOCATION, ELEVATIONS AND INVERTS OF ALL EXISTING SANITARY AND STORM SEWER SYSTEMS IDENTIFIED ON THESE DRAWINGS AND SHALL ADVISE ENGINEER OF ANY DISCREPANCIES WHICH EXISTS.

PLUMBING CONTRACTOR SHALL COORDINATE ROUTING OF ALL PIPING WITH OTHER DISCIPLINES TO ELIMINATE CONFLICTS. FAILURE TO DO SO WILL RESULT IN PLUMBING CONTRACTOR BEARING EXPENSE OF CHANGE ORDERS WHICH MAY RESULT.

PLUMBING CONTRACTOR SHALL REVIEW ALL PLUMBING AND ARCHITECTURAL DRAWINGS PRIOR TO BID DATE AND VERIFY NUMBER AND LOCATION OF ALL EQUIPMENT AND FIXTURES. ANY EQUIPMENT AND/OR FIXTURES INDICATED ON ARCHITECTURAL DRAWINGS AND NOT SHOWN ON PLUMBING DRAWINGS SHALL BE INCLUDED IN CONTRACTORS BID AND SCOPE OF WORK AND SHALL INCLUDE ALL MATERIALS, PIPING AND LABOR REQUIRED TO CONNECT EQUIPMENT AND/OR FIXTURES TO NEAREST SERVICE OF ADEQUATE SIZE. EQUIPMENT AND/OR FIXTURES SHALL BE AS SPECIFIED OR APPROVED EQUAL. PLUMBING CONTRACTOR SHALL COORDINATE ROUTING OF PIPING BELOW BUILDING WITH STRUCTURAL DRAWINGS TO AVOID CONFLICTS.

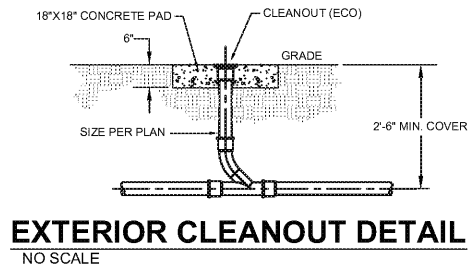
ALL PIPING SHALL BE SUPPORTED FROM STRUCTURAL STEEL AND/OR CONCRETE BEAMS AND STRUCTURE. PIPING SUPPORTED FROM ROOF AND/OR FLOOR METAL DECKING WILL NOT BE ALLOWED.

ALL PLUMBING WORK IS TO BE INSTALLED IN ACCORDANCE WITH THE 2015 EDITION OF THE INTERNATIONAL PLUMBING CODE AND IN ACCORDANCE WITH ALL STATE AND LOCAL REQUIREMENTS.

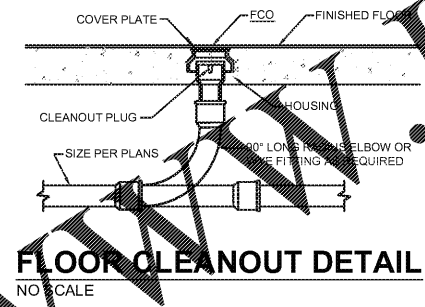
SLOPE ON ALL SEWER, WASTE AND DRAIN PIPING SHALL COMPLY WITH ALL STATE AND LOCAL CODES AND SHALL BE IN ACCORDANCE WITH CHAPTER 7 OF THE 2015 INTERNATIONAL PLUMBING CODE.

GENERAL AND PLUMBING CONTRACTOR SHALL REVIEW AND APPROVE ALL SHOP DRAWINGS PRIOR TO SUBMITTING TO ENGINEER/ARCHITECT. PROVIDE GENERAL & MECHANICAL "APPROVED" OR "APPROVED AS NOTED" STAMPS ON SUBMITTAL PRIOR TO SUBMITTING FOR ENGINEER'S/ARCHITECT'S REVIEW.

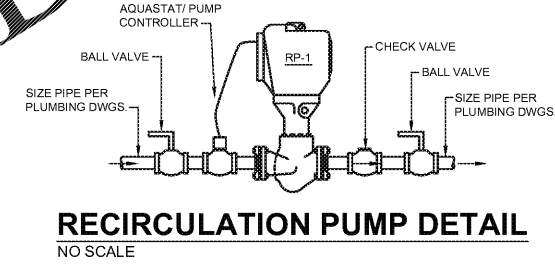
SEWER PIPING INSTALLED ABOVE GRADE OUTSIDE OF THE BUILDING HEATED ENVELOPE IS TO BE HEAT TRACED AND INSULATED. LOCATIONS INCLUDE BUT ARE NOT LIMITED TO BUILDING EXTERIOR, ATTICS, CRAWLSPACES, AND GARAGES. HEAT TRACE IS TO BE SELF REGULATING RAYCHEM XL TRACE, 5 WATTS/FT. OR EQUAL. INSULATION TO BE 1" FIBERGLASS, WHERE INSULATION IS EXPOSED TO PRECIPITATION, ALUMINUM JACKET IS TO BE PROVIDED.



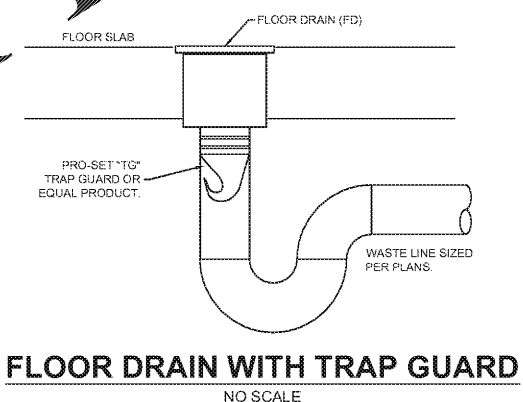
EXTERIOR CLEANOUT DETAIL
NO SCALE



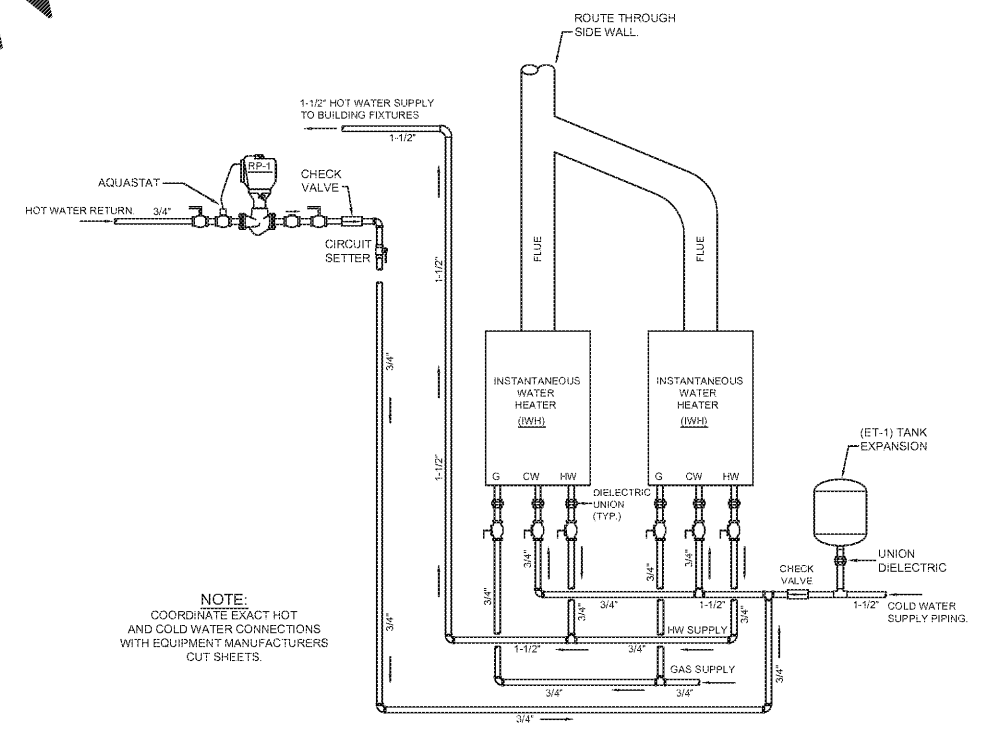
FLOOR CLEANOUT DETAIL
NO SCALE



RECIRCULATION PUMP DETAIL
NO SCALE



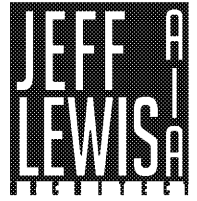
FLOOR DRAIN WITH TRAP GUARD
NO SCALE



NOTE:
COORDINATE EXACT HOT AND COLD WATER CONNECTIONS WITH EQUIPMENT MANUFACTURERS CUT SHEETS.

WATER HEATER PIPING SCHEMATIC
NO SCALE

Order Plans @ WWW.LDILLIN.COM



561 JACOBS MILL POND ROAD
ELGIN, SOUTH CAROLINA 29045
803.960.5026 / jell@jefflewis.com



LUGOFF FACILITY EXPANSION
SANDHILLS MEDICAL FOUNDATION
28 BALDWIN AVENUE
LUGOFF, SOUTH CAROLINA 29078

| REV. | DATE | DESCRIPTION |
|------|------|-------------|
| | | |
| | | |
| | | |

JOB #: 16-009-1 07.15.2019

MECA
Mechanical Engineering
Consulting Associates, Inc.

Columbia Office
P.O. Box 50644
Columbia, South Carolina
Phone: (803) 765-9421

Designed: MAB
Approved: PPC
Job No: 116241L
Plot Date: 08/21/2019

P300

PLUMBING SCHEDULES AND DETAILS