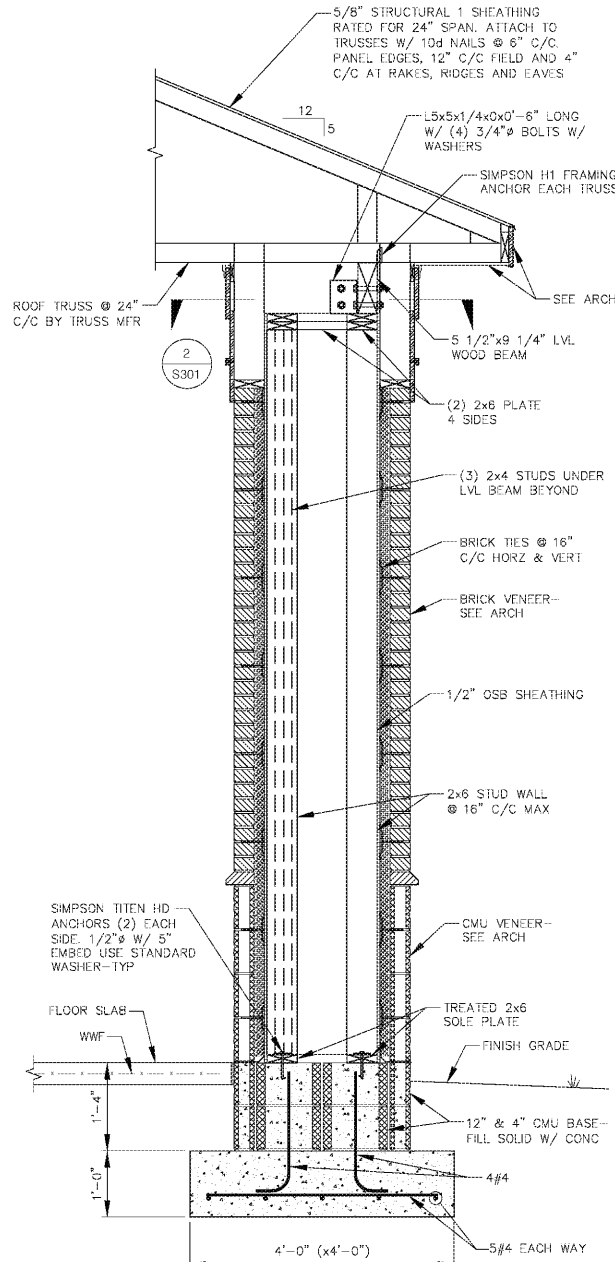
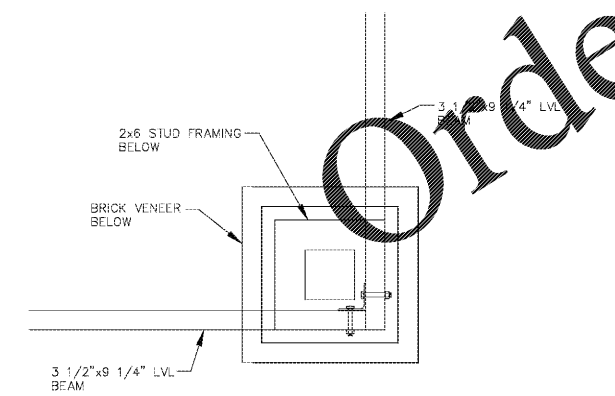


THIS DRAWING AND THE DESIGN SHOWN THEREON ARE THE PROPERTY OF JEFF LEWIS, AIA. THE REPRODUCTION, COPYING OR OTHER USE OF THIS DRAWING WITHOUT WRITTEN CONSENT OF JEFF LEWIS AIA IS PROHIBITED AND INFRINGEMENTS WILL BE SUBJECT TO LEGAL ACTION.



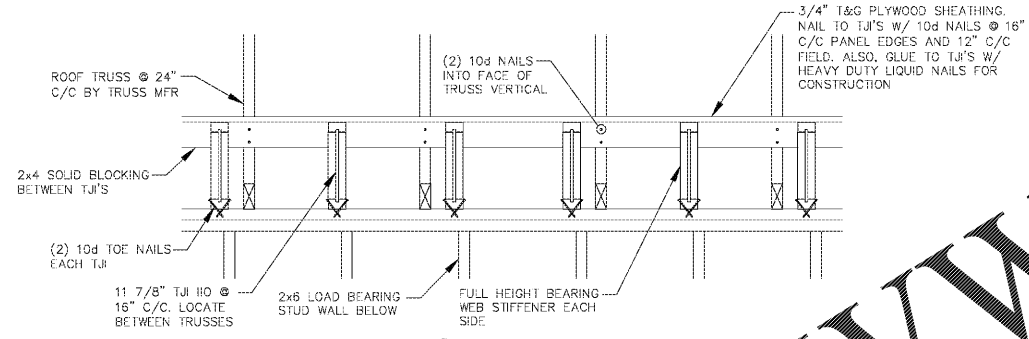
1 DETAIL  
S301 3/4" = 1'-0"

NOTE:  
STRAP EACH LVL BEAM TO SUPPORTING GANGED STUDS WITH A SIMPSON TS22 TWIST STRAP (NOT SHOWN).

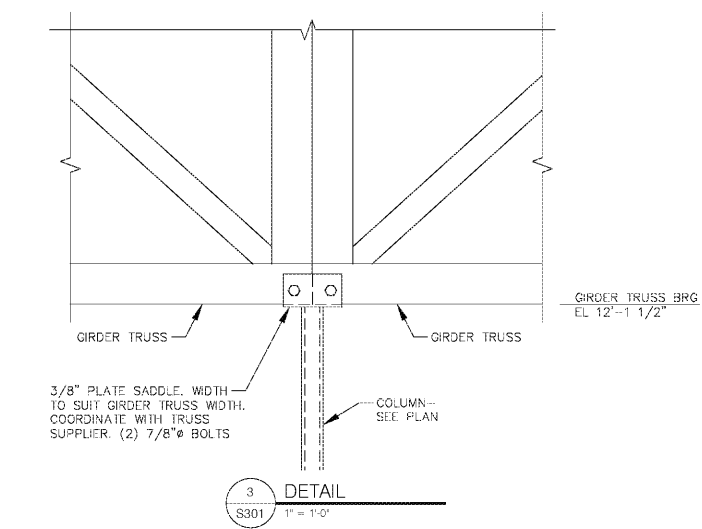


2 DETAIL  
S301 3/4" = 1'-0"

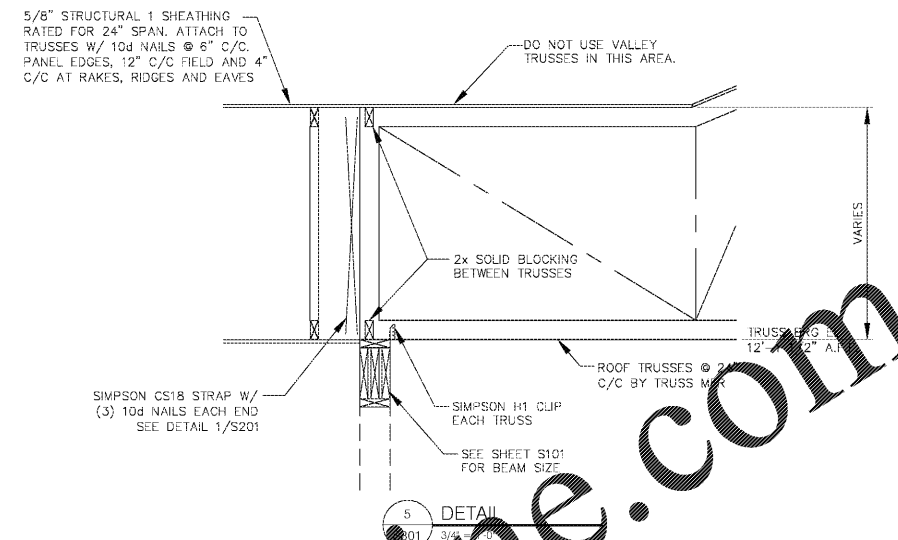
TYPICAL EXTERIOR WALL HEADER AND SILL DETAIL



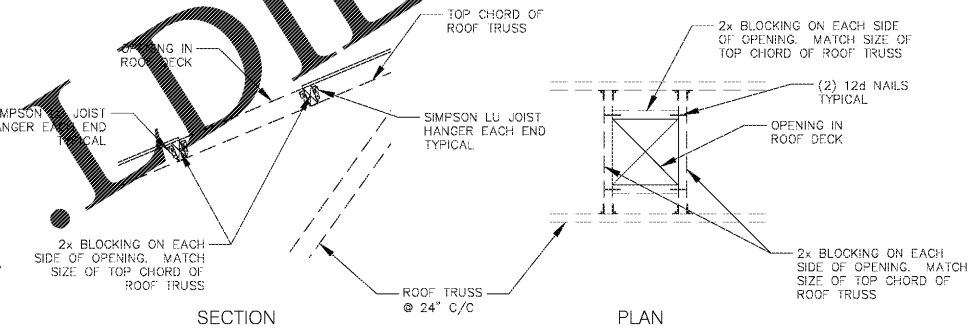
4 DETAIL  
S301 1" = 1'-0"



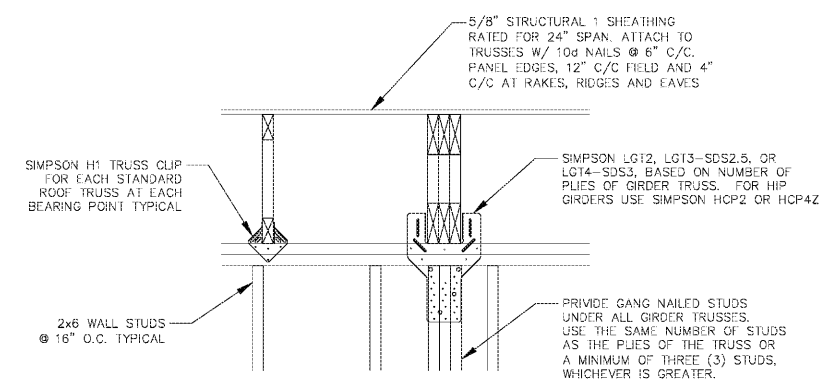
3 DETAIL  
S301 1" = 1'-0"



5 DETAIL  
S301 3/8" = 1'-0"

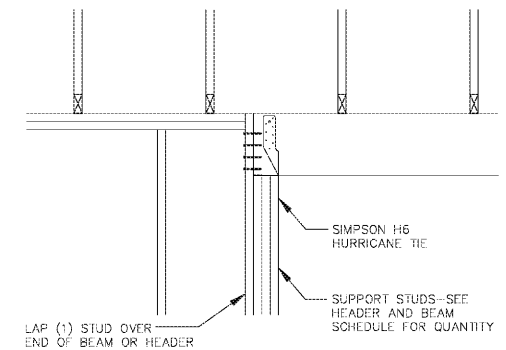


6 TYPICAL OPENING IN ROOF DECK DETAIL  
S301 3/4" = 1'-0"



TYPICAL GIRDER AND HIP GIRDER CONNECTION

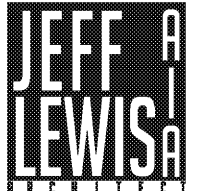
SCALE: 1" = 1'-0"



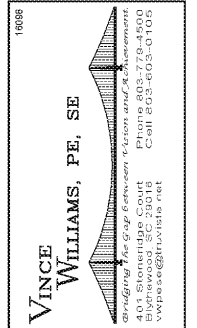
TYPICAL INTERIOR HEADER OR BEAM DETAIL

NTS

Order Plans @ WWW.LDILine.com



561 JACOBS MILL POND ROAD  
ELGIN, SOUTH CAROLINA 29046  
803.980.5026 / jlewis@jefflewis.com



LUGOFF FACILITY EXPANSION  
SANDHILLS MEDICAL FOUNDATION

28 BALDWIN AVENUE  
LUGOFF, SOUTH CAROLINA 29078

TYPICAL DETAILS

REV.	DATE	DESCRIPTION

1/08 # 16-039-1 07.15.2019

S301