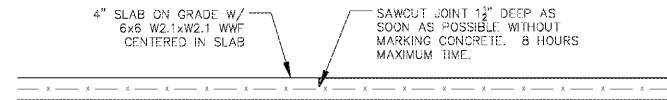
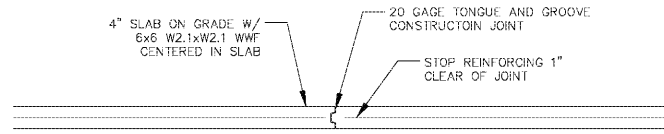


THIS DRAWING AND THE DESIGN SHOWN THEREON ARE THE PROPERTY OF JEFF LEWIS, AIA. THE REPRODUCTION, COPYING OR OTHER USE OF THIS DRAWING WITHOUT WRITTEN CONSENT OF JEFF LEWIS AIA IS PROHIBITED AND INFRINGEMENTS WILL BE SUBJECT TO LEGAL ACTION.



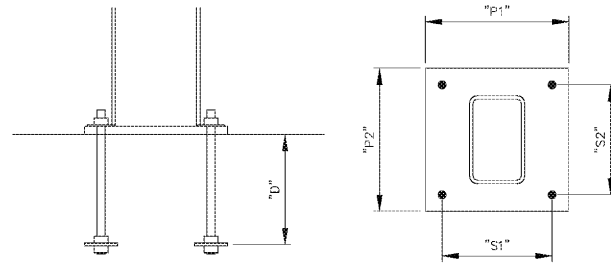
TYPICAL CONTROL JOINT

SCALE: 3/4" = 1'-0"



TYPICAL CONSTRUCTION JOINT

SCALE: 3/4" = 1'-0"



	HSS5x3x1/4
BASE PLATE	1/2" THICK
ANCHOR BOLTS	(4) 8" S
"D"	8"
"P1"	8"
"P2"	10"
"S1"	5"
"S2"	7"

COLUMN BASE PLATE AND ANCHOR BOLT SCHEDULE

NTS

REINFORCEMENT DEVELOPMENT DISTANCES PER BAR SIZE

BAR SIZE	DEVELOPMENT LENGTH (IN.)			
	3000 PSI	4000 PSI	5000 PSI	6000 PSI
#3	17	15	13	12
#4	22	19	17	16
#5	28	24	22	20
#6	33	29	26	24
#7	48	42	38	34
#8	55	48	43	39
#9	62	54	48	44
#10	69	60	54	49
#11	76	66	59	54
#14	96	84	75	68
#18	124	107	96	88

NOTES:
MINIMUM LENGTH OF LAP FOR TENSION LAP SPLICES SHALL BE AS REQUIRED FOR CLASS "A" OR "B" SPLICE, BUT NOT LESS THAN 12-IN. WHERE:

- ALL CLASS "A" LAP SPLICES SHALL BE 1.0L
- ALL CLASS "B" LAP SPLICES SHALL BE 1.3L

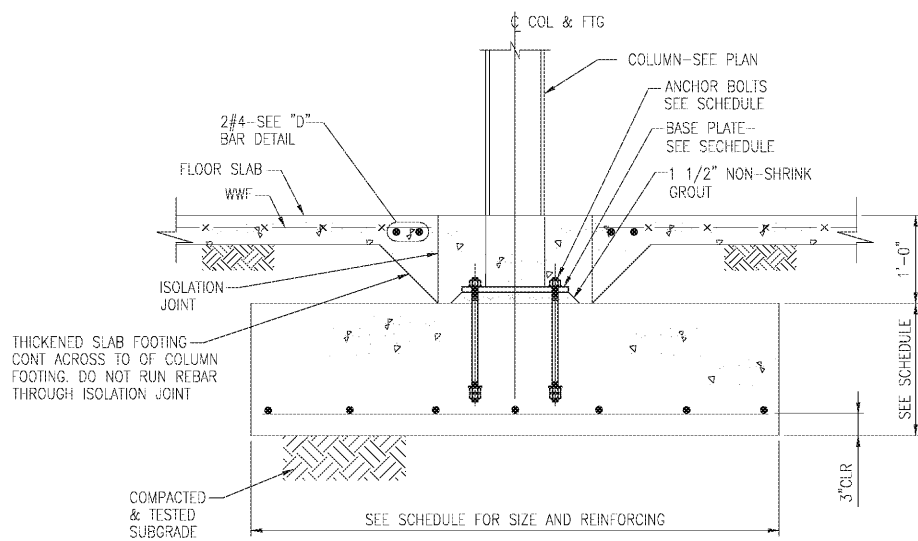
STANDARD 90° HOOK DISTANCES PER BAR SIZE

BAR SIZE	HOOK (in)	L (in)
#3	5	3.5
#4	6	5.5
#5	8	6.75
#6	9	8
#7	11	9.5
#8	12	10.5

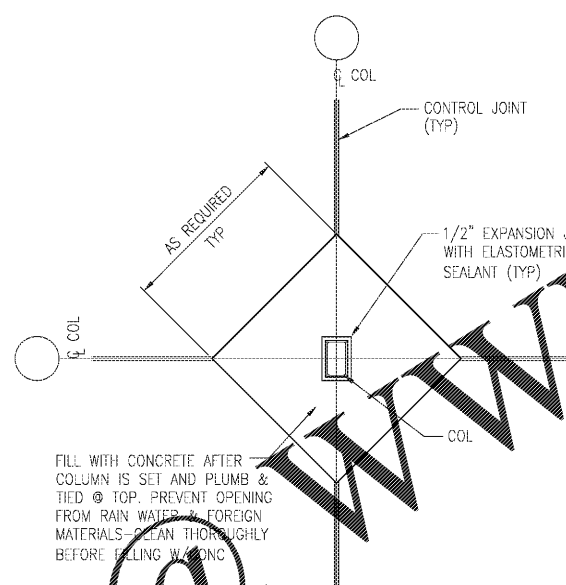
STANDARD 180° HOOK DISTANCES PER BAR SIZE

BAR SIZE	L (in)	HOOK (in)	Radius (in)
#3	3.5	2.5	1
#4	5.5	2.5	2
#5	6.75	2.5	2.5
#6	8	3	3
#7	9.5	3.5	3.5
#8	10.5	4	4

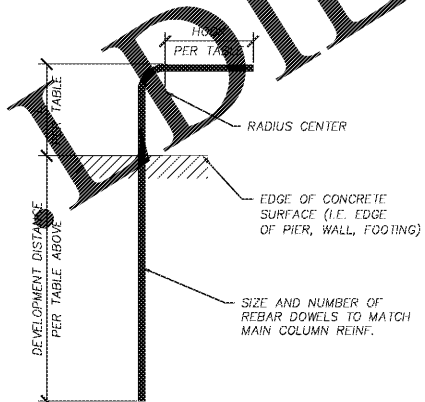
NOTES:
THE EXTENSION AFTER THE 180° HOOK MUST BE A MINIMUM OF 4d_b OR 1/2"



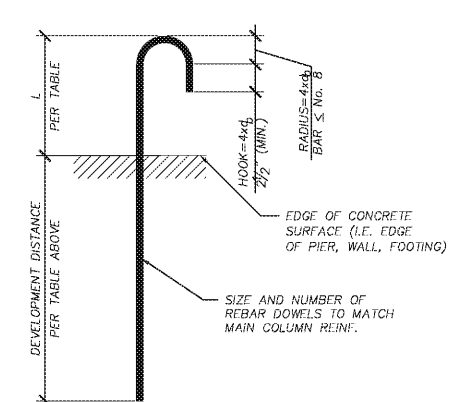
1 COLUMN FOOTING DETAIL
S300 NTS



2 ISOLATION JOINT DETAIL
S300 NTS

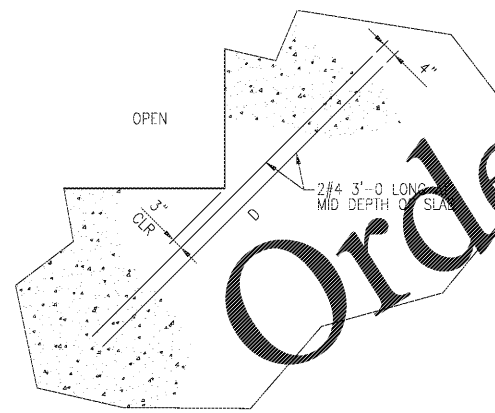


REBAR DOWEL DETAIL (90°)
SCALE: 1/2" = 1'-0"

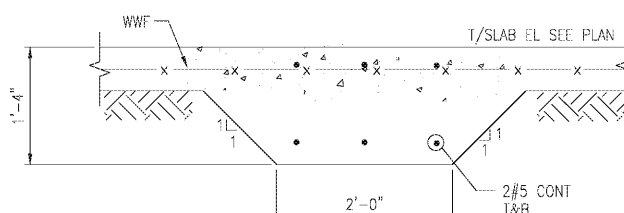


REBAR DOWEL DETAIL (180°)
SCALE: 1/2" = 1'-0"

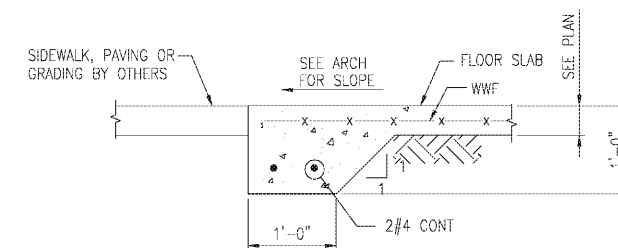
REBAR HOOK AND LAP SCHEDULE



3 D BAR DETAIL
S300 NTS



4 THICKENED SLAB DETAIL (TS)
S300 NTS



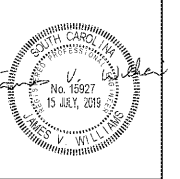
5 TURN DOWN SLAB DETAIL (TD)
S300 NTS

Order Plans @ WWW.WDILine.com

JEFF LEWIS

561 JACOBS MILL POND ROAD
ELGIN, SOUTH CAROLINA 29046
803 980 5026 / jrl@jefflewis.com

VINCE WILLIAMS, PE, SE
Professional Engineer
401 Blenheim Court
Blythewood, SC 29018
www.vwilliamspe.com



LUGOFF FACILITY EXPANSION
SANDHILLS MEDICAL FOUNDATION
28 BALDWIN AVENUE
LUGOFF, SOUTH CAROLINA 29078

TYPICAL DETAILS

REV. DATE DESCRIPTION

08 # 16-039-1 07.15.2015

S300