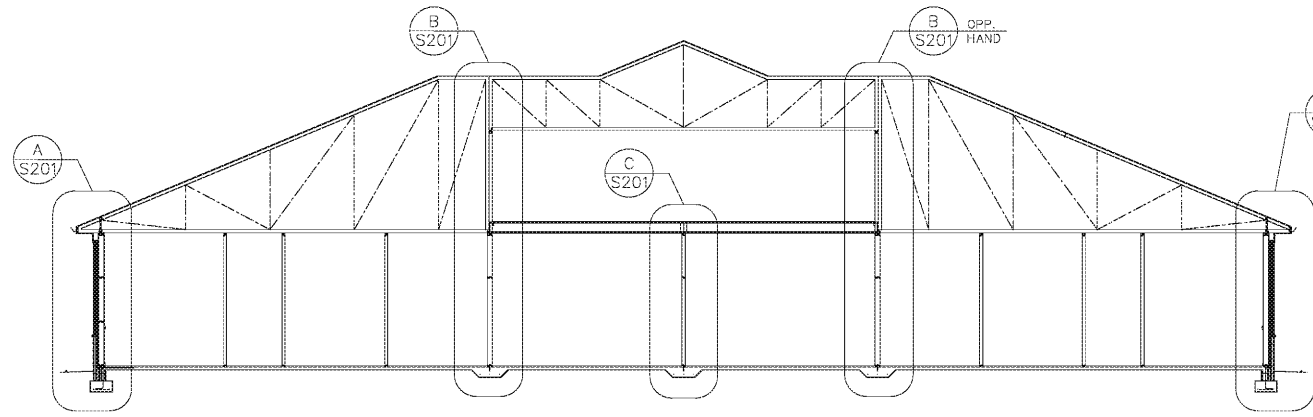
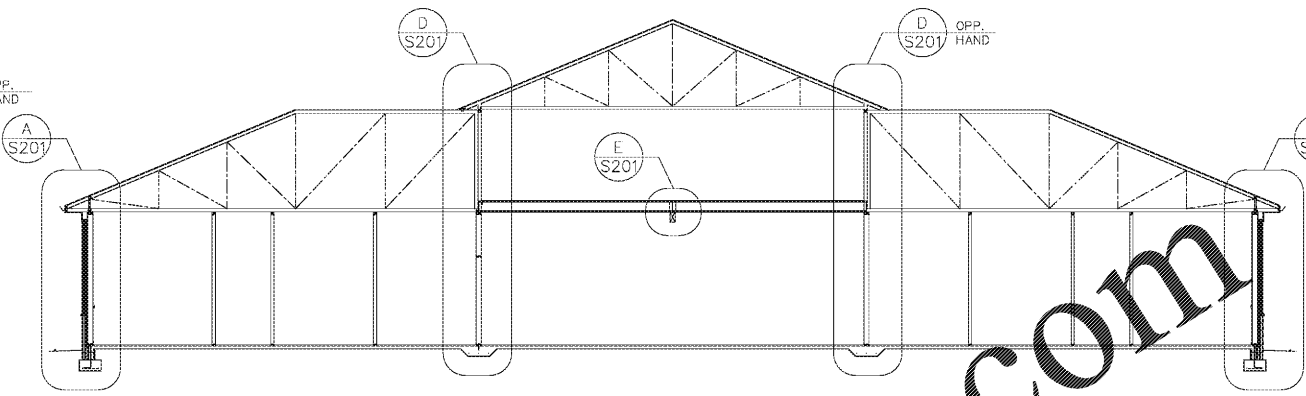


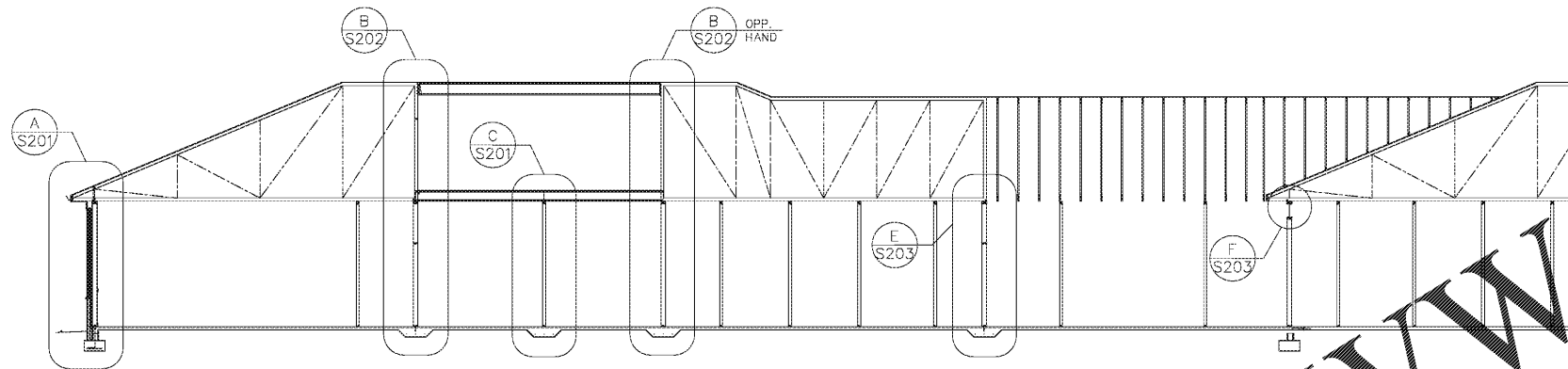
THIS DRAWING AND THE DESIGN SHOWN THEREON ARE THE PROPERTY OF JEFF LEWIS, AIA. THE REPRODUCTION, COPYING OR OTHER USE OF THIS DRAWING WITHOUT WRITTEN CONSENT OF JEFF LEWIS AIA IS PROHIBITED AND INFRINGEMENTS WILL BE SUBJECT TO LEGAL ACTION.



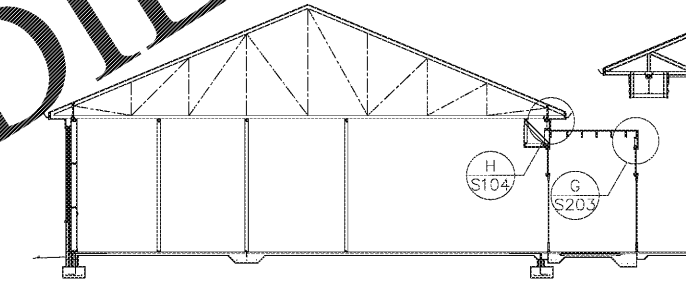
A BUILDING CROSS SECTION  
S200 1/8" = 1'-0"



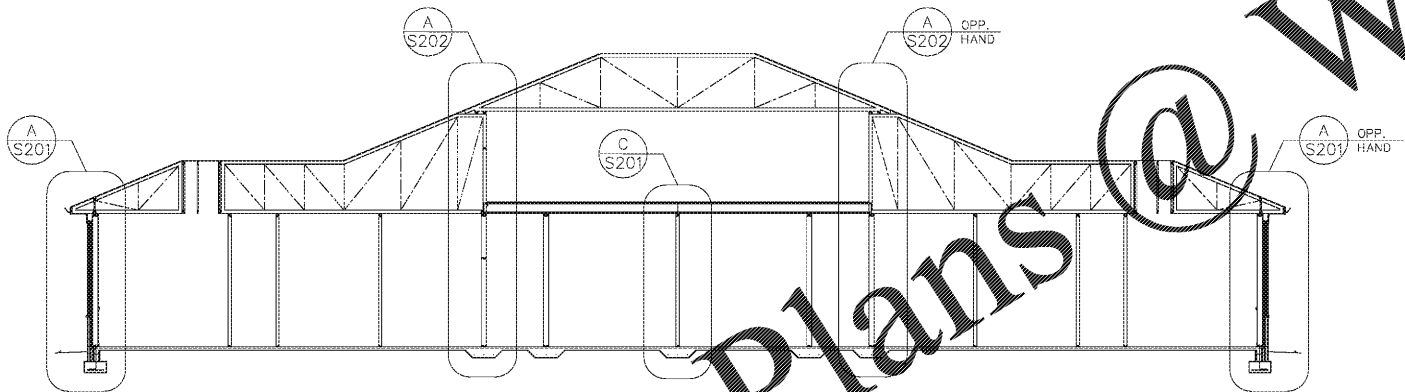
B BUILDING CROSS SECTION  
S200 1/8" = 1'-0"



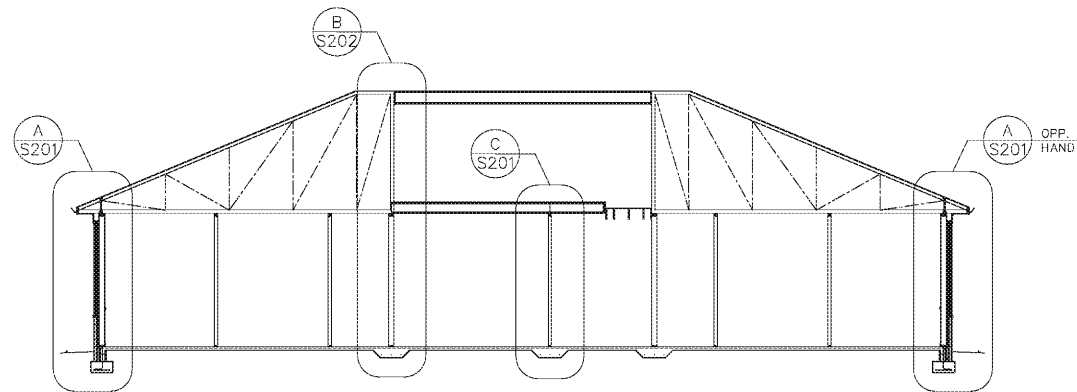
C BUILDING CROSS SECTION  
S200 1/8" = 1'-0"



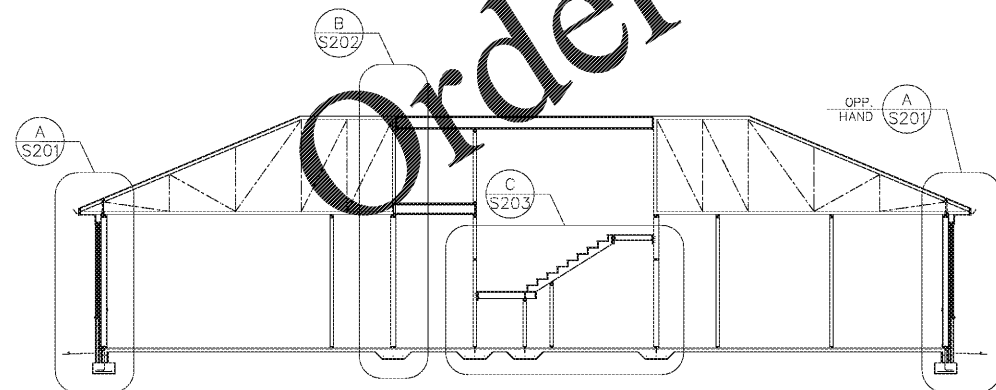
D BUILDING CROSS SECTION  
S200 1/8" = 1'-0"



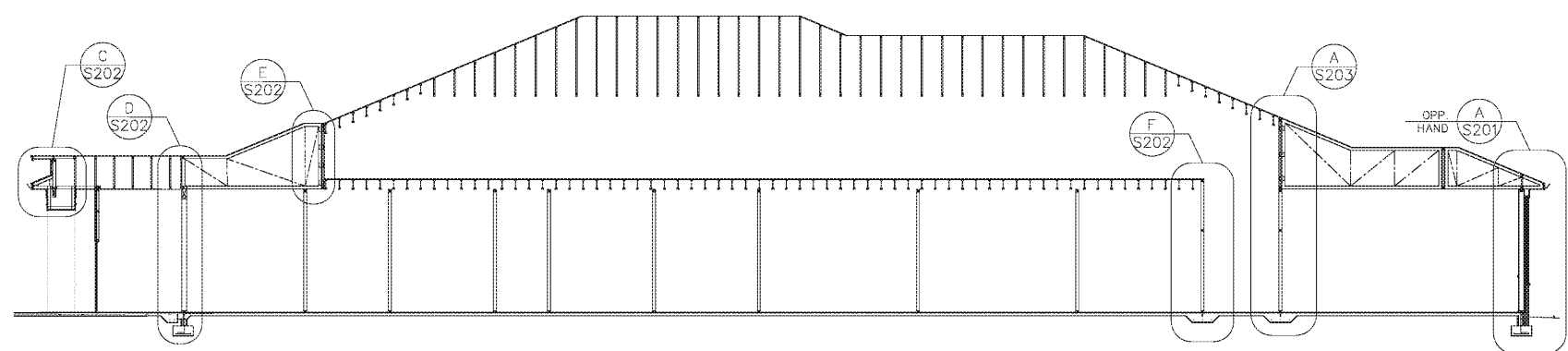
E BUILDING CROSS SECTION  
S200 1/8" = 1'-0"



F BUILDING CROSS SECTION  
S200 1/8" = 1'-0"



G BUILDING CROSS SECTION  
S200 1/8" = 1'-0"



H BUILDING CROSS SECTION  
S200 1/8" = 1'-0"

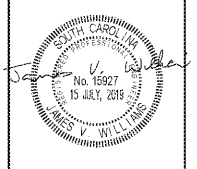
Order Plans @

WWW.LDILine.com

JEFF LEWIS AIA

561 JACOBS MILL POND ROAD  
ELGIN, SOUTH CAROLINA 29046  
803 980 5026 / jll@jefflewisai.com

VINCE WILLIAMS, PE, SE  
Professional Engineer  
401 Shamrocke Court  
Blythewood, SC 29018  
vwilliams@jefflewisai.com



LUGOFF FACILITY EXPANSION  
SANDHILLS MEDICAL FOUNDATION

28 BALDWIN AVENUE  
LUGOFF, SOUTH CAROLINA 29078

BUILDING CROSS SECTIONS

REV. DATE DESCRIPTION

1.08 # 16-039-1 07.15.2019

S200