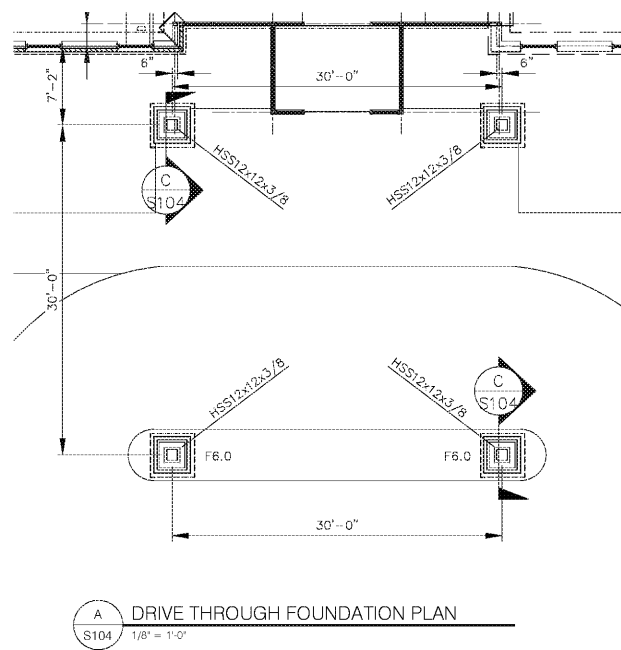
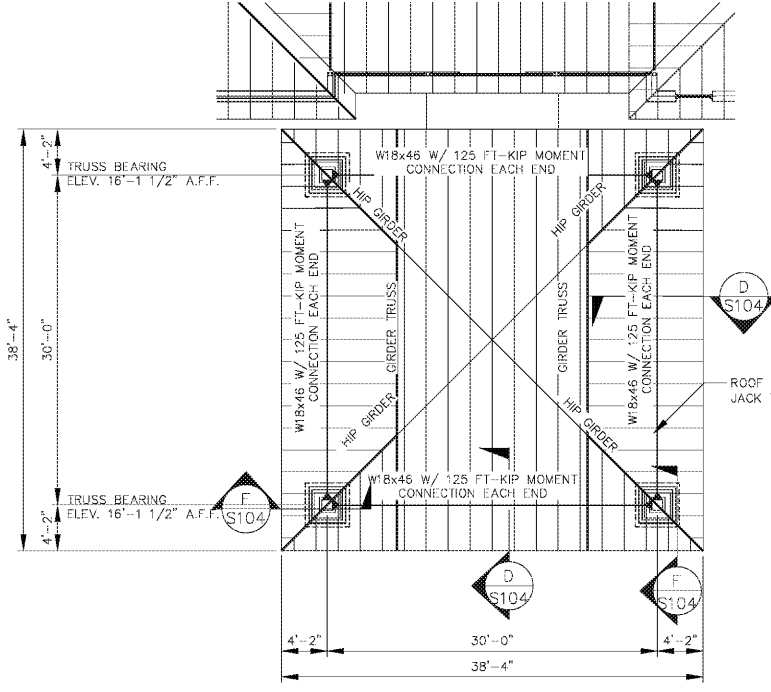


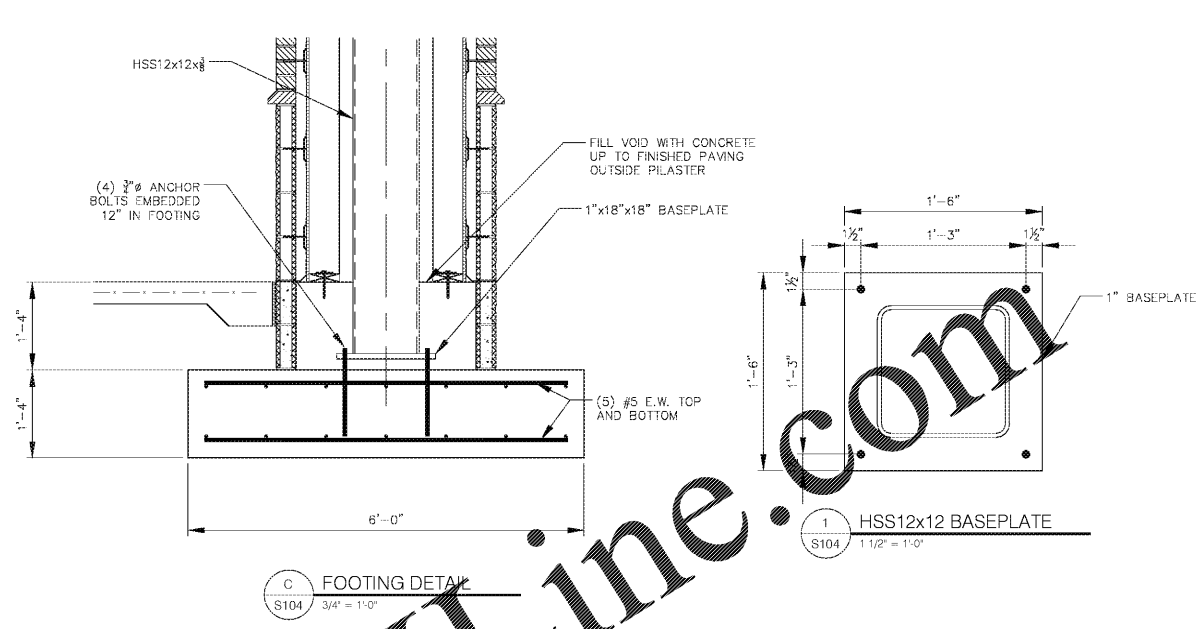
THIS DRAWING AND THE DESIGN SHOWN THEREON ARE THE PROPERTY OF JEFF LEWIS, AIA. THE REPRODUCTION, COPYING OR OTHER USE OF THIS DRAWING WITHOUT WRITTEN CONSENT OF JEFF LEWIS AIA, THE REPRODUCTION, COPYING OR OTHER USE OF THIS DRAWING WITHOUT WRITTEN CONSENT OF JEFF LEWIS AIA WILL BE PROHIBITED AND INFRINGEMENTS WILL BE SUBJECT TO LEGAL ACTION.



A DRIVE THROUGH FOUNDATION PLAN  
S104 1/8" = 1'-0"



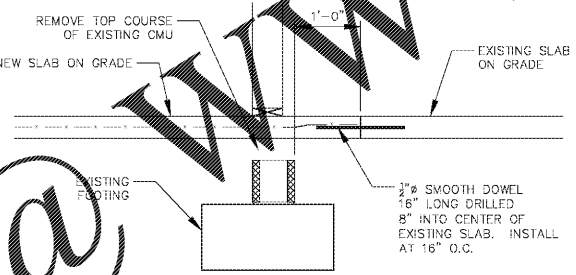
B DRIVE THROUGH CANOPY ROOF FRAMING PLAN  
S104 1/8" = 1'-0"



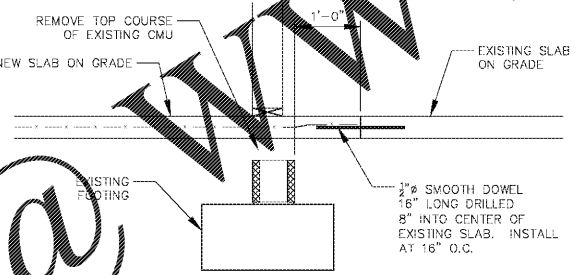
C FOOTING DETAIL  
S104 3/4" = 1'-0"

**FOOTING SCHEDULE**

MARK	SIZE	REINFORCING	REMARKS
F3.0	3'-0" x 3'-0" x 1'-0"	(3) #5 F.W.	T.O.F. 1'-4" B.F.F.
F3.0A	3'-0" x 3'-0" x 1'-0"	(4) #5 F.W.	THICKENED SLAB
F3.5	3'-6" x 3'-6" x 1'-0"	(4) #5 F.W.	T.O.F. 1'-4" B.F.F.
F6.0	6'-0" x 6'-0" x 1'-6"	(7) #5 F.W. TOP AND BOTTOM	T.O.F. 1'-4" B.F.F.



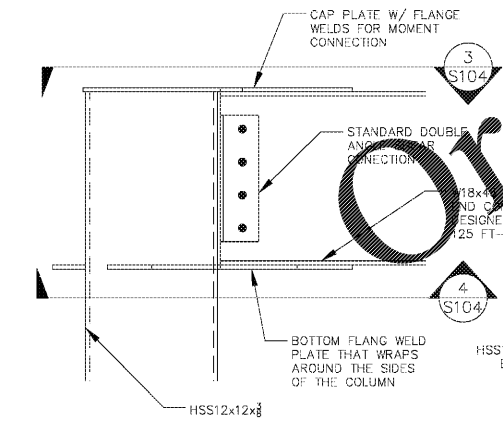
D ROOF FRAMING DETAIL  
S104 3/4" = 1'-0"



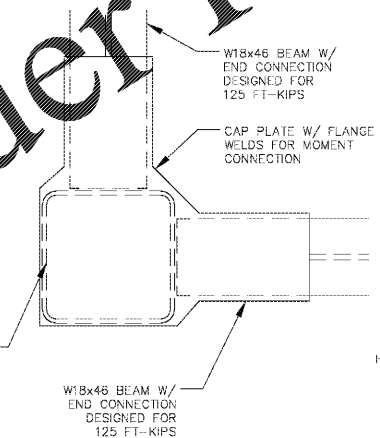
E CONNECTION DETAIL  
S104 1 1/2" = 1'-0"

2 CONNECTION DETAIL  
S104 1 1/2" = 1'-0"

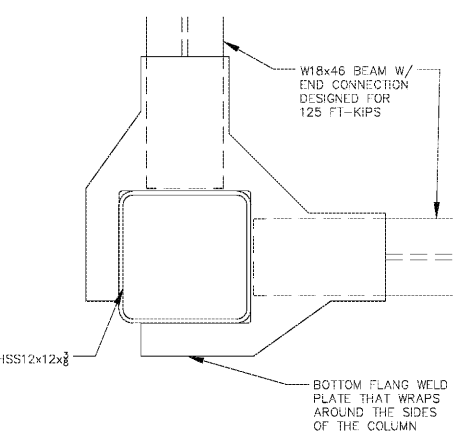
G SLAB JOINT DETAIL  
S104 3/4" = 1'-0"



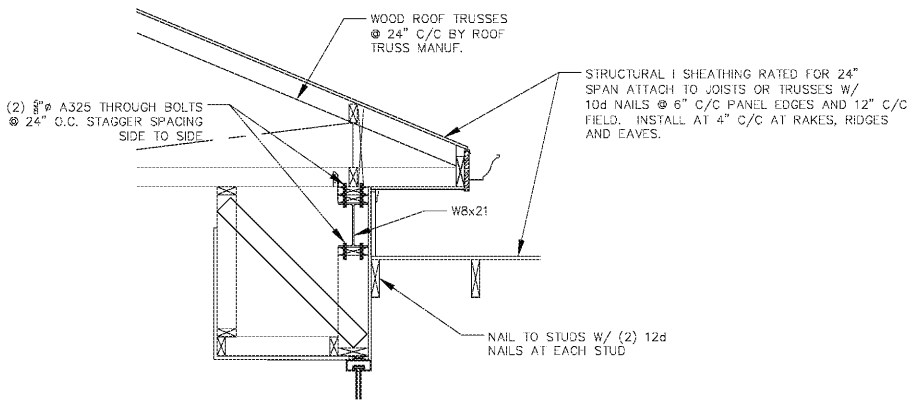
F CONNECTION DETAIL  
S104 1 1/2" = 1'-0"



3 CONNECTION DETAIL  
S104 1 1/2" = 1'-0"



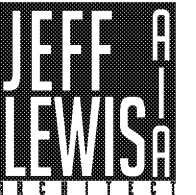
4 CONNECTION DETAIL  
S104 1 1/2" = 1'-0"



H ROOF FRAMING DETAIL  
S104 3/4" = 1'-0"

Order Plans @

WWW.LDILine.com



561 JACOBS MILL POND ROAD  
ELGIN, SOUTH CAROLINA 29046  
803.989.5026 / jrl@jefflewis.com

VINCE WILLIAMS, PE, SE  
Professional Engineer  
401 Sandhills Court  
Blythewood, SC 29018  
vwilliams@jefflewis.com



LUGOFF FACILITY EXPANSION  
SANDHILLS MEDICAL FOUNDATION  
28 BALDWIN AVENUE  
LUGOFF, SOUTH CAROLINA 29073

REV.	DATE	DESCRIPTION

1.08 # 16.039-1 07.15.2019

S104

DRIVE THROUGH FOUNDATION AND ROOF FRAMING PLAN