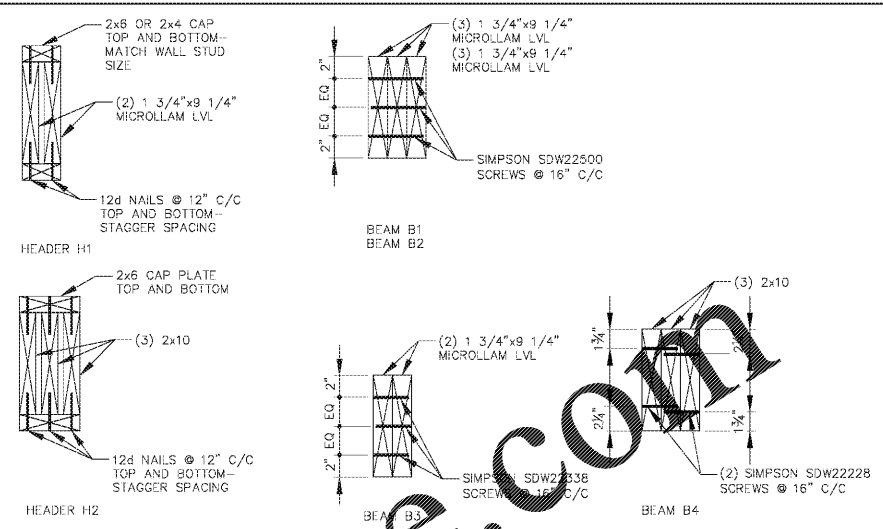
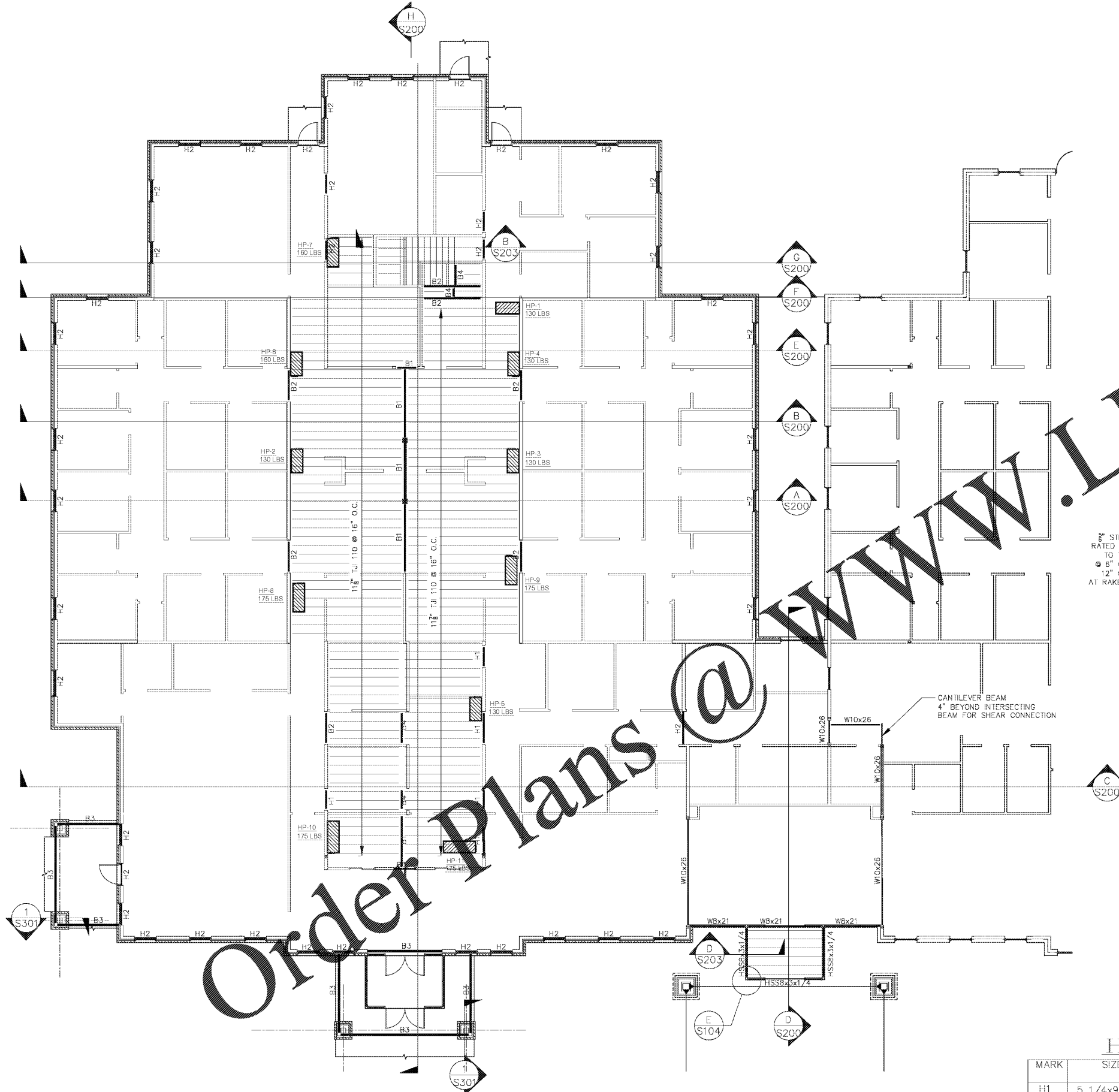
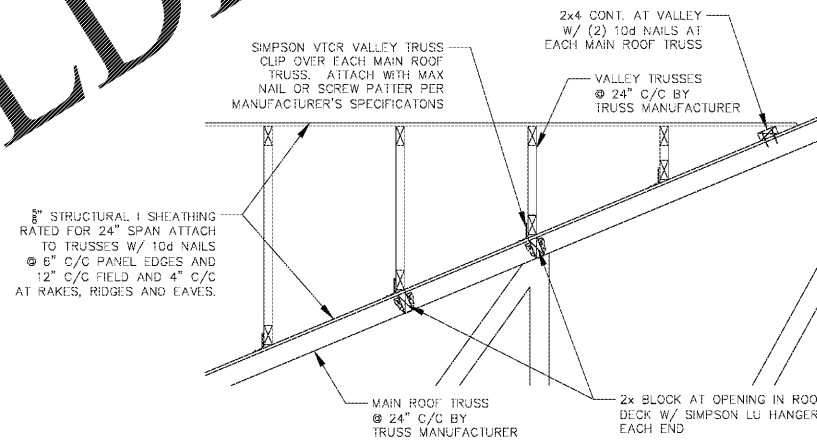


THIS DRAWING AND THE DESIGN SHOWN THEREON ARE THE PROPERTY OF JEFF LEWIS, AIA. THE REPRODUCTION, COPYING OR OTHER USE OF THIS DRAWING WITHOUT WRITTEN CONSENT OF JEFF LEWIS AIA IS PROHIBITED AND INFRINGEMENTS WILL BE SUBJECT TO LEGAL ACTION.



TYPICAL HEADER AND BEAM BUILDS



B VALLEY TRUSS CONNECTION DETAIL
3/4" = 1'-0"

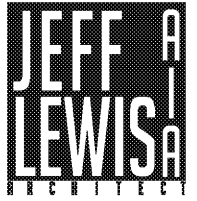
BRICK LINTEL SCHEDULE

LENGTH	SIZE	MIN. BRG.
6'-0"	<4"x4"x3/8"	8" EACH END
8'-0"	<5"x4"x3/8" LLV	8" EACH END
10'-0"	<6"x4"x3/8" LLV	12" EACH END
12'-0"	<8"x4"x7/16" LLV	12" EACH END

HEADER AND BEAM SCHEDULE

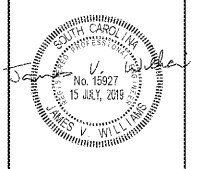
MARK	SIZE	SILL JACK STUDS	HEADER JACK STUDS	JAMB STUDS/POST	MATERIAL
H1	5 1/4x9 1/4	0	1	(2) STUDS	(3) 1 3/4x9 1/4 MICROLLAM LVL 2.OE
H2	(3) 2x10	1	1	(3) STUDS	SYP NO. 1 GRADE
B1	5 1/4x11 1/4	0	0	(4) STUDS GANG NAILED	(3) 1 3/4x11 1/4 MICROLLAM LVL 2.OE
B2	5 1/4x9 1/4	0	0	(3) STUDS GANG NAILED	(3) 1 3/4x9 1/4 MICROLLAM LVL 2.OE
B3	3 1/2x9 1/4	0	0	(4) STUDS GANG NAILED	(2) 1 3/4x9 1/4 MICROLLAM LVL 2.OE
B4	(3) 2x10	0	0	(3) STUDS GANG NAILED	SYP NO. 1 GRADE

A HEADER, BEAM AND ATTIC FLOOR FRAMING
1/8" = 1'-0"



561 JACOBS MILL POND ROAD
ELGIN, SOUTH CAROLINA 29046
803 980 5026 / jrl@jefflewis.com

VINCE WILLIAMS, PE, SE
Professional Engineer
401 Sandhills Court
Blytheville, SC 29018
www.vwilliamspe.com



LUGOFF FACILITY EXPANSION
SANDHILLS MEDICAL FOUNDATION
26 BALDWIN AVENUE
LUGOFF, SOUTH CAROLINA 29078

HEADER AND ATTIC FRAMING PLAN

REV.	DATE	DESCRIPTION

108 # 16-039-1 07.15.2015

S101