

THIS DRAWING AND THE DESIGN SHOWN THEREON ARE THE PROPERTY OF JEFF LEWIS, AIA. THE REPRODUCTION, COPYING OR OTHER USE OF THIS DRAWING WITHOUT WRITTEN CONSENT OF JEFF LEWIS AIA IS PROHIBITED AND INFRINGEMENTS WILL BE SUBJECT TO LEGAL ACTION.

FOOTING SCHEDULE

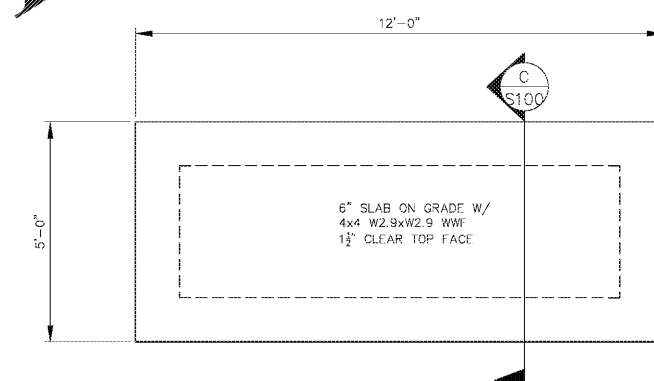
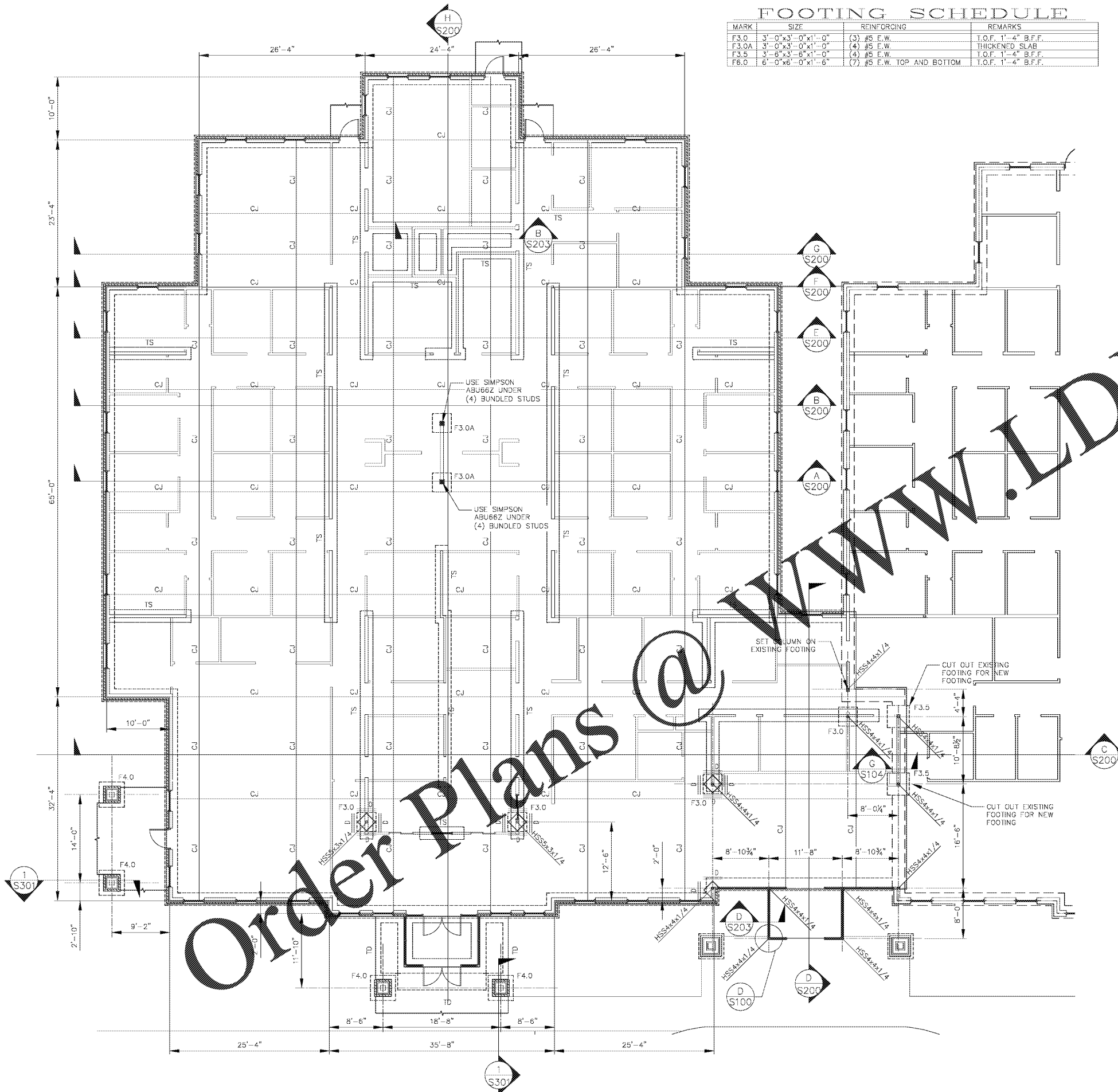
MARK	SIZE	REINFORCING	REMARKS
F3.0	3'-0" x 3'-0" x 1'-0"	(3) #5 E.W.	T.O.F. 1'-4" B.F.F.
F3.0A	3'-0" x 3'-0" x 1'-0"	(4) #5 E.W.	THICKENED SLAB
F3.5	3'-6" x 3'-6" x 1'-0"	(4) #5 E.W.	T.O.F. 1'-4" B.F.F.
F6.0	6'-0" x 6'-0" x 1'-6"	(7) #5 E.W. TOP AND BOTTOM	T.O.F. 1'-4" B.F.F.

FOUNDATION NOTES:

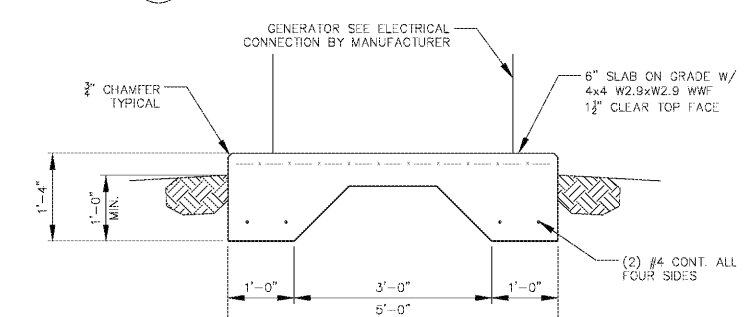
1. TOP INDICATES TOP OF FOOTING ELEVATION - BELOW FINISH FLOOR. TOP OF FOOTING EL = -1'-4" UNO.
2. PIPES SHALL NOT PENETRATE FOOTINGS.
3. SOIL COMPACTION TESTING IS REQUIRED WHEREVER PIPE IS PLACED UNDER TURN DOWN SLAB.
4. FOOTINGS SHALL BE CENTERED ON COLUMN UNO.

SLAB NOTES:

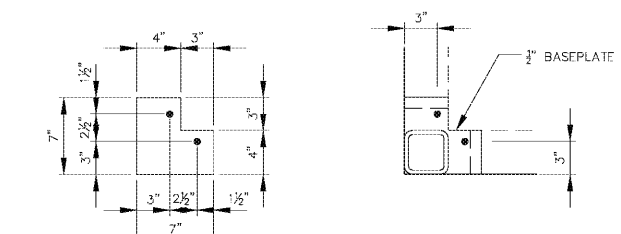
1. MAIN LEVEL FINISH FLOOR ELEVATION REFERENCED AS 0'-0" UNLESS NOTED OTHERWISE. SEE CIVIL FOR ACTUAL ELEVATIONS.
2. ALL JOINTS SHOWN SHALL BE CONSTRUCTION JOINT (CJ) OR SAWED CONTROL JOINTS (SJ) AT CONTRACTOR OPTION. CONTRACTOR TO LOCATE CONSTRUCTION JOINTS IN THE MOST BENEFICIAL LOCATIONS FOR PLACING THE CONCRETE SLAB, AS LONG AS THE SPACING OF THE CONSTRUCTION JOINTS WILL NOT AFFECT THE ABILITY OF CONTRACTOR TO INSTALL THE SAWED CONTROL JOINTS BEFORE THE ONSET OF SHRINKAGE CRACKS. DETAIL OF THE JOINTS ARE SHOWN ON DRAWING S300.
3. SLAB ON GRADE SHALL BE 4" THICK 3000 PSI CONCRETE ON 10 MIL VAPOR BARRIER ON 6" COMPACT SAND, REINFORCED W/ 6x6-W2.1xW2.1 W/ AT MID DEPTH OF SLAB.
4. TD INDICATES TURN DOWN SLAB, SEE S300.
5. TS INDICATES THICKENED SLAB, SEE S300.
6. D INDICATES 2#4 3'-0" LONG AT MIDDLE OF SLAB THICKNESS, SEE S300.



B GENERATOR FOUNDATION PLAN
S100 1/2" = 1'-0"



C GENERATOR FOUNDATION DETAIL
S100 1/2" = 1'-0"

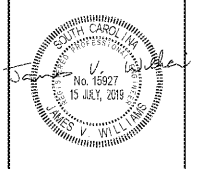


D BASEPLATE DETAIL
S100 1/2" = 1'-0"

JEFF LEWIS AIA

561 JACOBS MILL POND ROAD
ELGIN, SOUTH CAROLINA 29046
803.980.5026 / jrl@jefflewis.com

VINCE WILLIAMS, PE, SE
Professional Engineer
401 Blenheim Court
Bluffton, SC 29918
vwilliams@jefflewis.com



**LUGOFF FACILITY EXPANSION
SANDHILLS MEDICAL FOUNDATION**

28 BALDWIN AVENUE
LUGOFF, SOUTH CAROLINA 29073

FOUNDATION PLAN

REV.	DATE	DESCRIPTION

1/08 # 16-039-1 07.15.2019

S100