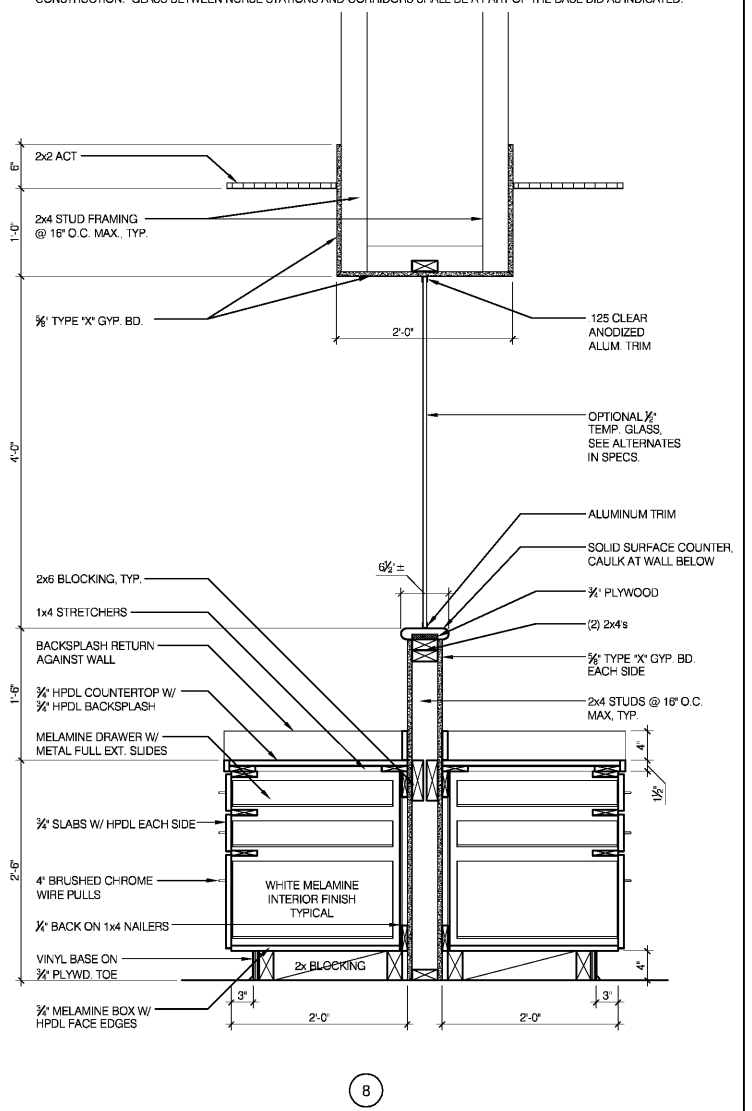
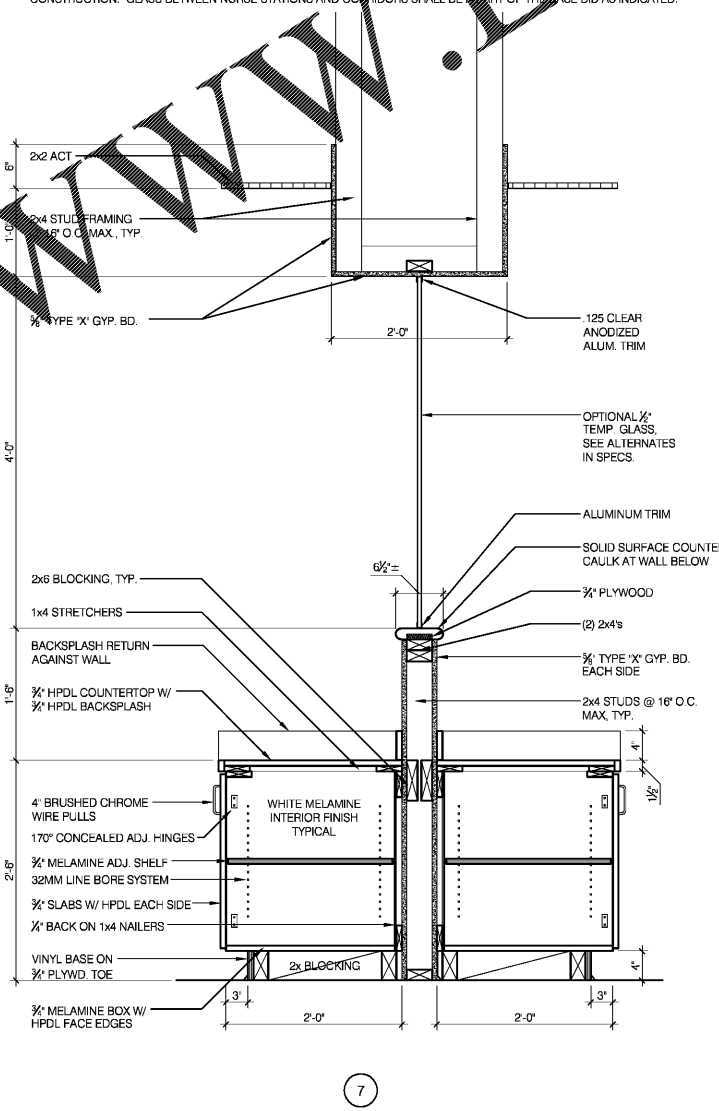
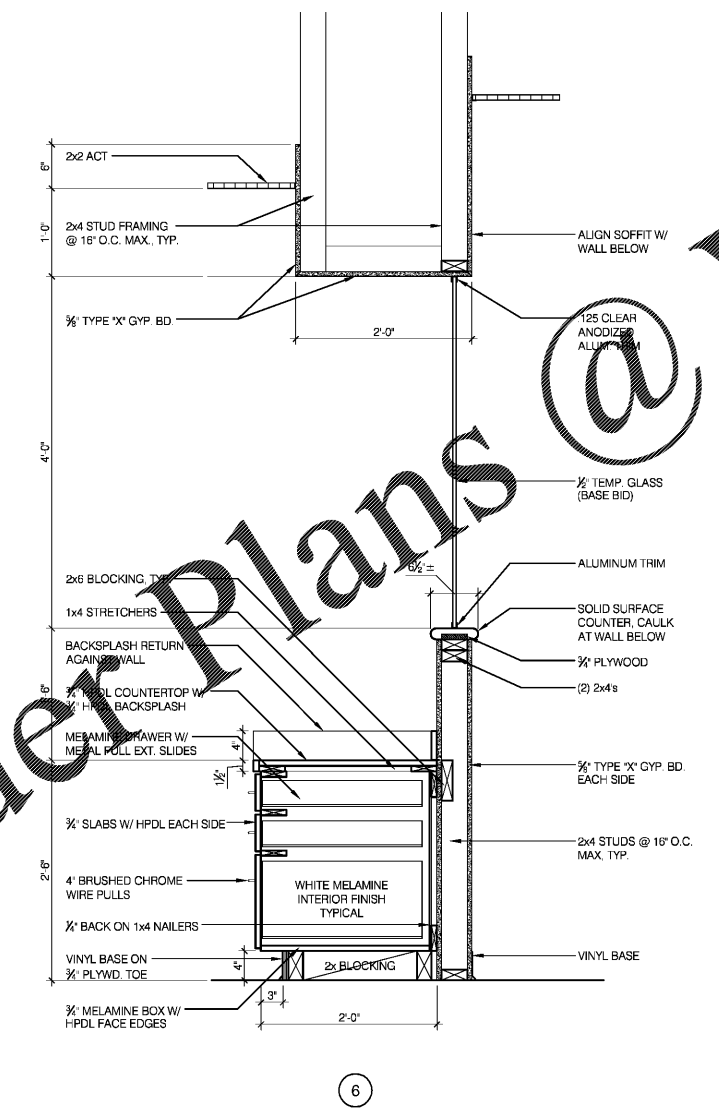
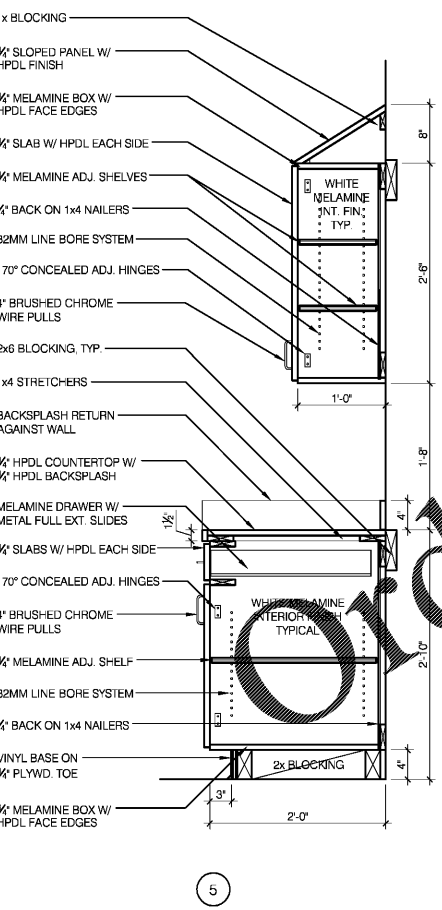
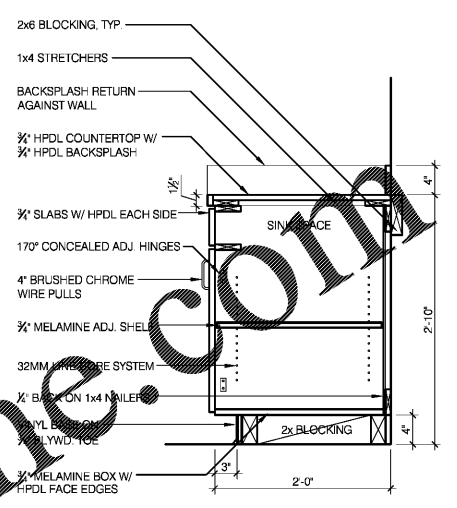
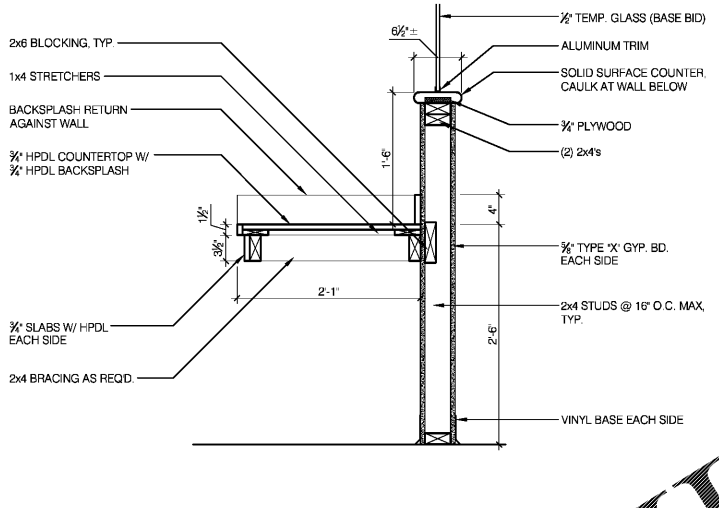
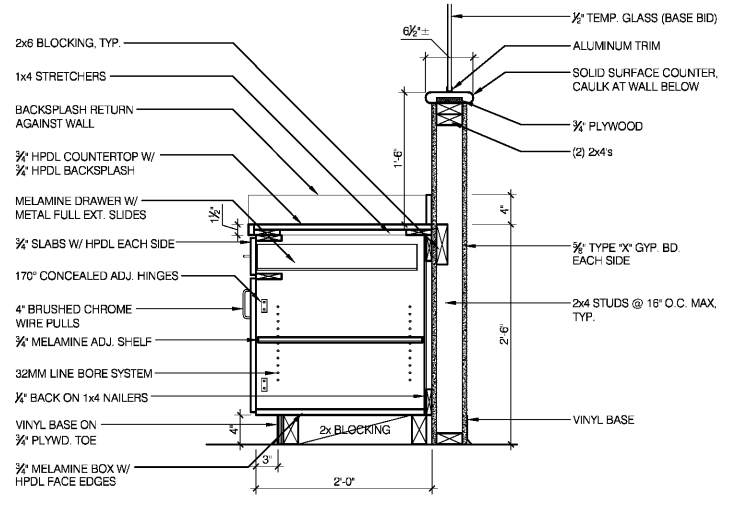
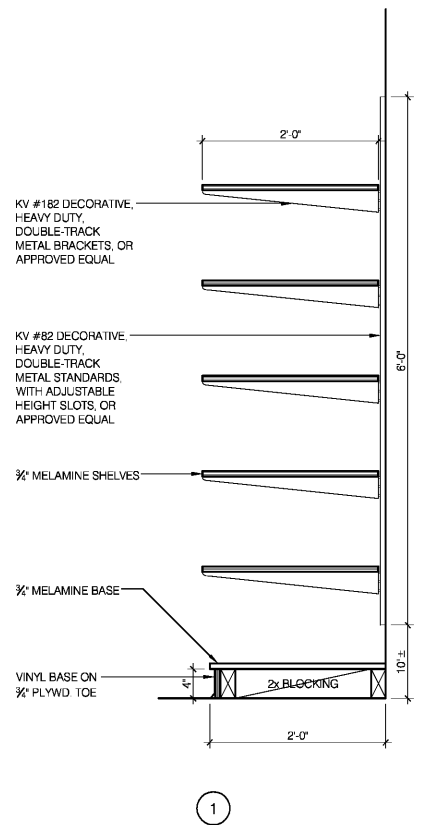


THIS DRAWING AND THE DESIGN SHOWN THEREON ARE THE PROPERTY OF JEFF LEWIS, AIA. THE REPRODUCTION, COPYING OR OTHER USE OF THIS DRAWING WITHOUT WRITTEN CONSENT OF JEFF LEWIS AIA IS PROHIBITED AND INFRINGEMENTS WILL BE SUBJECT TO LEGAL ACTION.

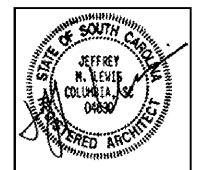


****NOTE:**
GLASS AT LOW WALLS BETWEEN NURSE STATIONS IS SHOWN AS OPTIONAL. GLASS IS NOT PLANNED FOR THESE LOCATIONS DURING INITIAL CONSTRUCTION, BUT ACCOMMODATIONS INCLUDING NECESSARY BLOCKING SHALL BE MADE FOR FUTURE INSTALLATION. SEE ALTERNATES FOR INCLUSION OF THE GLASS/MATERIALS AND INSTALLATION IN BID PRICING. VERIFY WITH ARCHITECT PRIOR TO PROCUREMENT OF SIMILAR MATERIALS. AS OWNER MAY ELECT TO INSTALL THIS GLASS DURING INITIAL CONSTRUCTION. GLASS BETWEEN NURSE STATIONS AND CORRIDORS SHALL BE PART OF THE BASE BID AS INDICATED.

****NOTE:**
GLASS AT LOW WALLS BETWEEN NURSE STATIONS IS SHOWN AS OPTIONAL. GLASS IS NOT PLANNED FOR THESE LOCATIONS DURING INITIAL CONSTRUCTION, BUT ACCOMMODATIONS INCLUDING NECESSARY BLOCKING SHALL BE MADE FOR FUTURE INSTALLATION. SEE ALTERNATES FOR INCLUSION OF THE GLASS/MATERIALS AND INSTALLATION IN BID PRICING. VERIFY WITH ARCHITECT PRIOR TO PROCUREMENT OF SIMILAR MATERIALS. AS OWNER MAY ELECT TO INSTALL THIS GLASS DURING INITIAL CONSTRUCTION. GLASS BETWEEN NURSE STATIONS AND CORRIDORS SHALL BE PART OF THE BASE BID AS INDICATED.



581 JACOBS MILL POND ROAD
ELGIN, SOUTH CAROLINA 29045
803.960.5026 / jle1@jefflewis.com



LUGOFF FACILITY EXPANSION
SANDHILLS MEDICAL FOUNDATION

28 BALDWIN AVENUE
LUGOFF, SOUTH CAROLINA 29078

MILLWORK SECTIONS

REV.	DATE	DESCRIPTION

JOB # 16-039-1 07.15.2019

A505