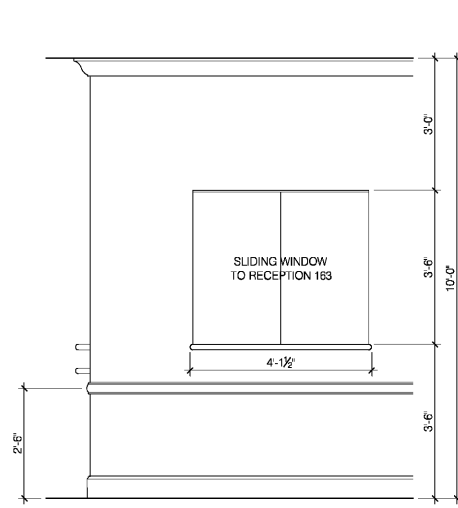
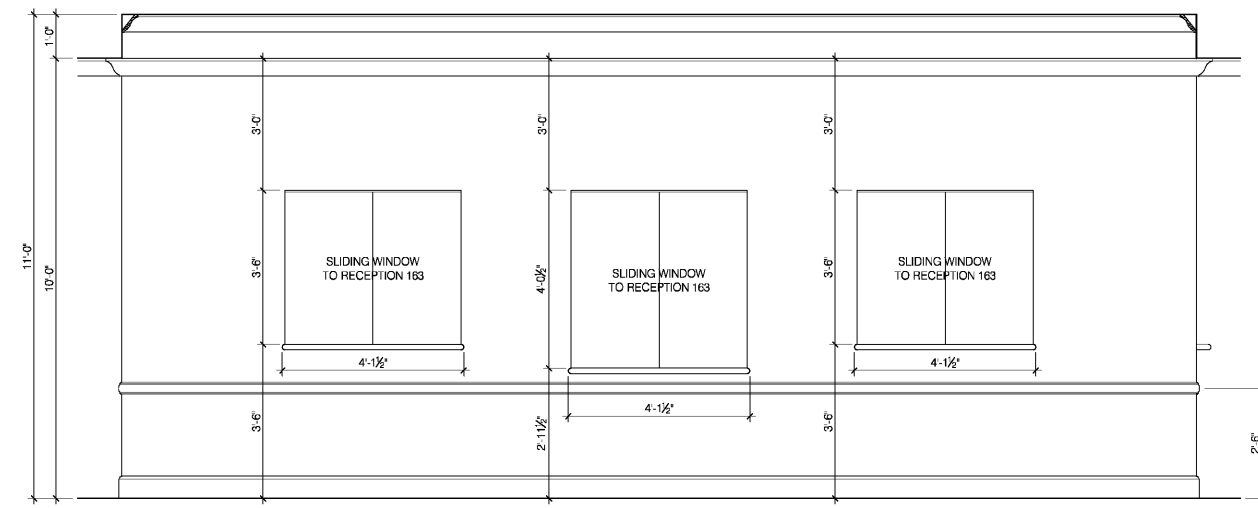


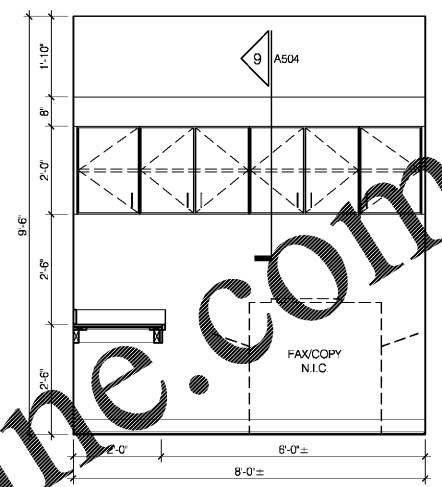
THIS DRAWING AND THE DESIGN SHOWN THEREON ARE THE PROPERTY OF JEFF LEWIS, AIA.-THE REPRODUCTION, COPYING OR OTHER USE OF THIS DRAWING WITHOUT WRITTEN CONSENT OF JEFF LEWIS AIA IS PROHIBITED AND INFRINGEMENTS WILL BE SUBJECT TO LEGAL ACTION.



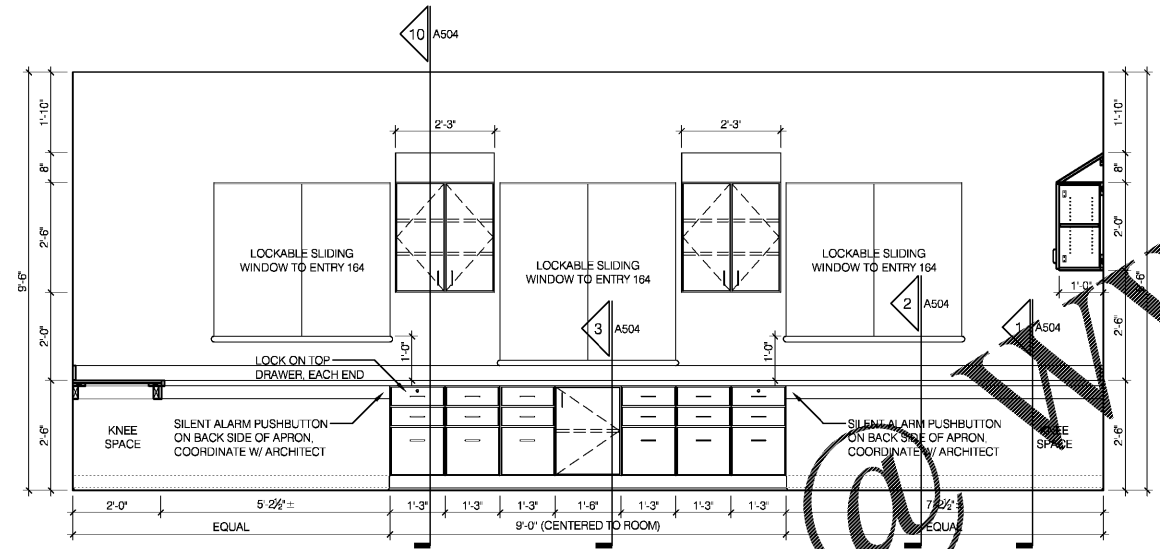
1 - PASSAGE - 162



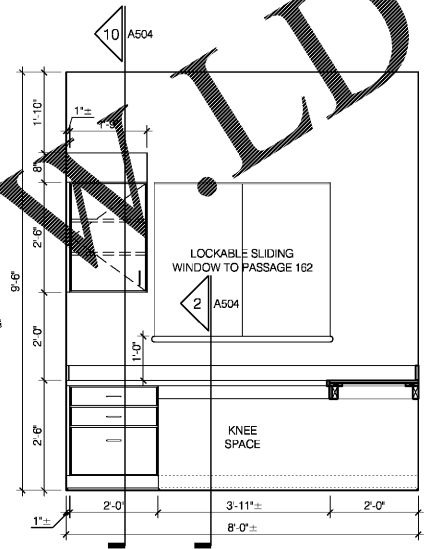
2 - ENTRY - 164



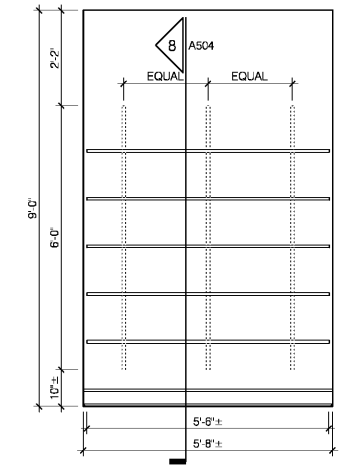
3 - RECEPTION - 163



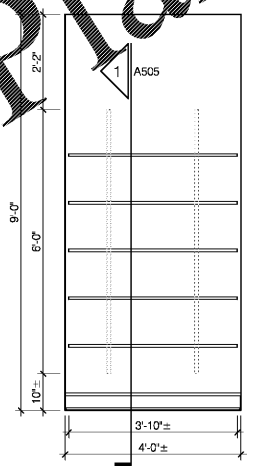
4 - RECEPTION - 163



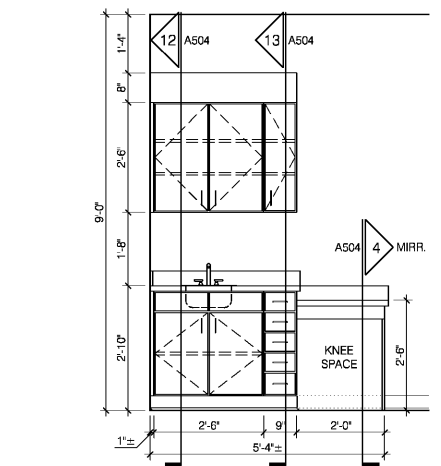
5 - RECEPTION - 163



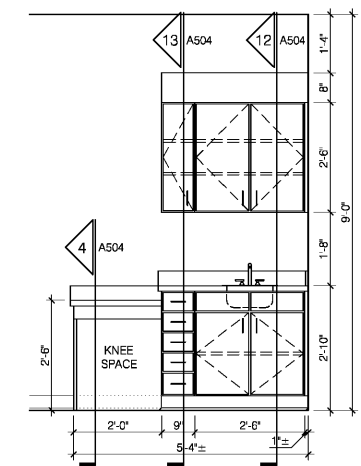
6 - STORAGE - 105 & 108



7 - STORAGE - 120, 133, 173, & 186



8 - EXAM - 118, 119, 125, 126, 128, 129, 130, 134, 135, 181, 182, 183, 187, & 188

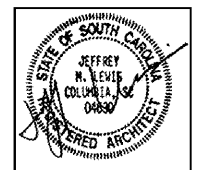


9 - EXAM - 171, 172, 178, & 179

Order Plans @ WWW.LDILine.com



581 JACOBS MILL POND ROAD
ELGIN, SOUTH CAROLINA 29045
803.960.5026 / jle1@jefflewis.com



LUGOFF FACILITY EXPANSION
SANDHILLS MEDICAL FOUNDATION
28 BALDWIN AVENUE
LUGOFF, SOUTH CAROLINA 29078

MILLWORK ELEVATIONS

REV.	DATE	DESCRIPTION

JOB # 16-039-1 07.15.2019