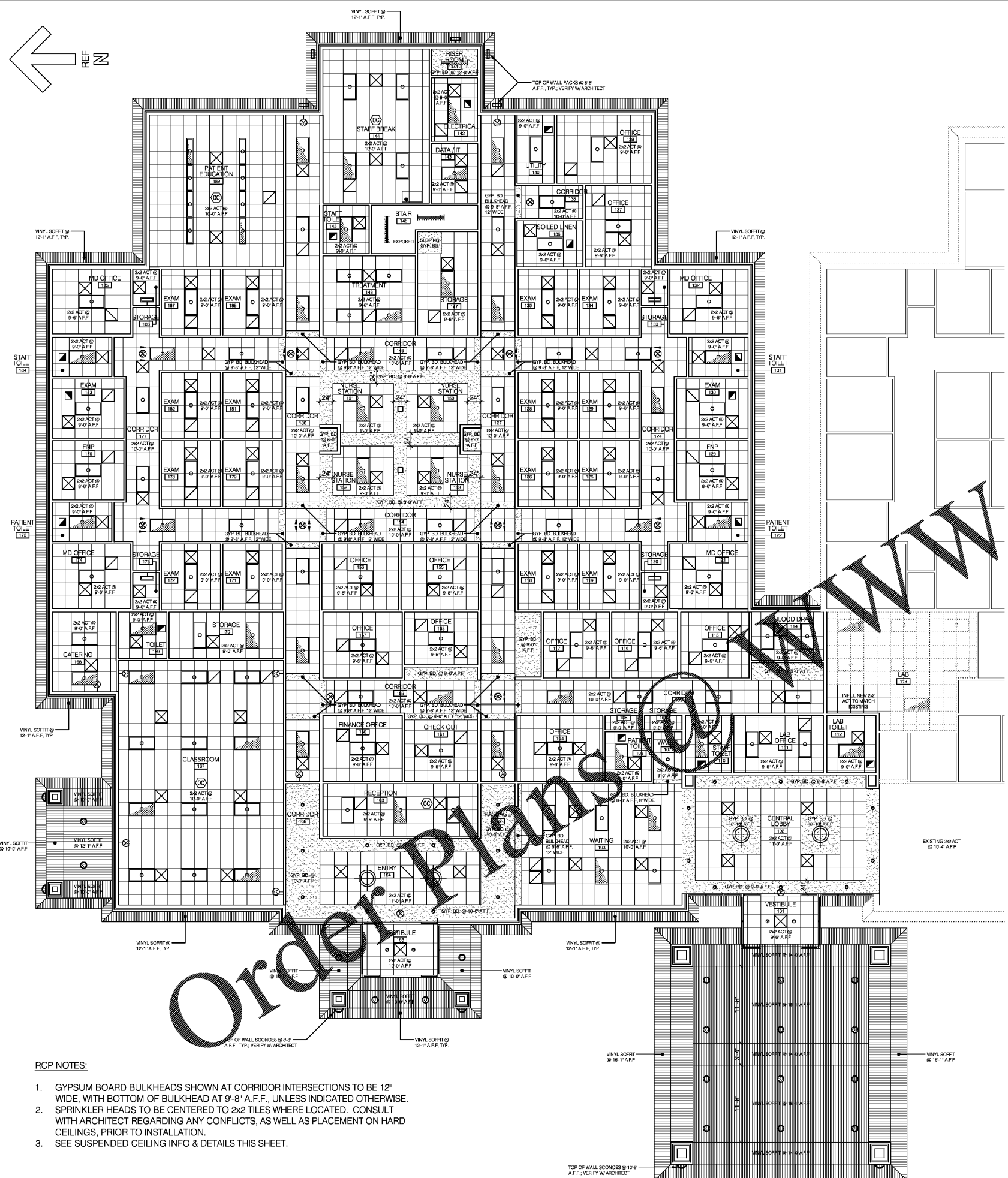


THIS DRAWING AND THE DESIGN SHOWN THEREON ARE THE PROPERTY OF JEFF LEWIS, AIA. THE REPRODUCTION, COPYING OR OTHER USE OF THIS DRAWING WITHOUT WRITTEN CONSENT OF JEFF LEWIS AIA IS PROHIBITED AND INFRINGEMENTS WILL BE SUBJECT TO LEGAL ACTION.

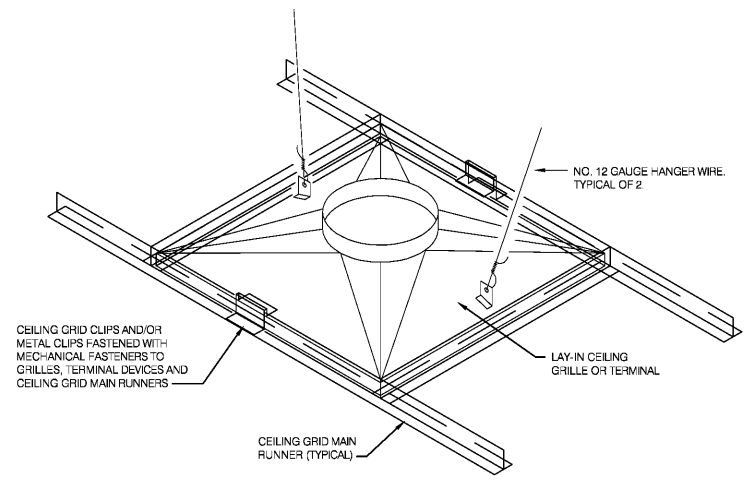


- RCP NOTES:**
1. GYPSUM BOARD BULK-HEADS SHOWN AT CORRIDOR INTERSECTIONS TO BE 12" WIDE, WITH BOTTOM OF BULKHEAD AT 9'-8" A.F.F., UNLESS INDICATED OTHERWISE.
  2. SPRINKLER HEADS TO BE CENTERED TO 2x2 TILES WHERE LOCATED. CONSULT WITH ARCHITECT REGARDING ANY CONFLICTS, AS WELL AS PLACEMENT ON HARD CEILINGS, PRIOR TO INSTALLATION.
  3. SEE SUSPENDED CEILING INFO & DETAILS THIS SHEET.

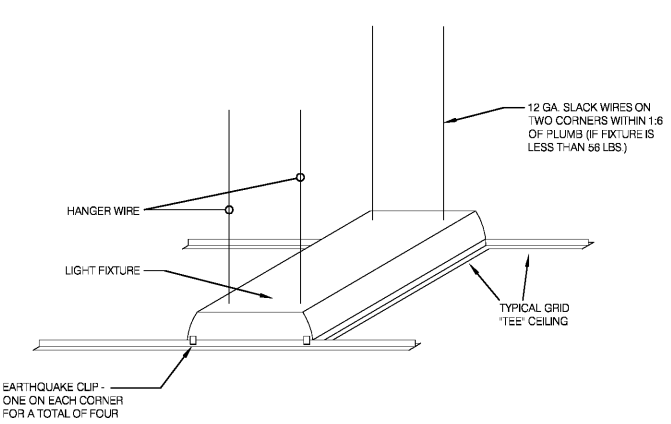
1 REFLECTED CEILING PLAN  
A102 1/8" = 1'-0"

- CEILING INSTALLATION REQUIREMENT NOTES:**
1. CEILING SUSPENSION SYSTEM SHALL BE ARMSTRONG "SEISMIC RX" OR EQUAL, INSTALLED PER ESR-1308 AND ASC 7 FOR SEISMIC DESIGN CATEGORY D.
  2. PROVIDE 2" OVERSIZED TRIM RINGS FOR SPRINKLERS AND OTHER PENETRATIONS (ALLOWING 1" CLEARANCE ON ALL SIDES OR USE RIGID BRACING, OR PROVIDE SWING JOINT ALLOWING 1" MOVEMENT ON ALL DIRECTIONS).
  3. CHANGES IN CEILING PLANE SHALL HAVE POSITIVE BRACING.
  4. CABLE TRAYS, ELECTRICAL CONDUITS, ETC. SHALL BE INDEPENDENTLY SUPPORTED AND BRACED.
  5. ALL HANGERS MUST BE ABLE TO SWING TO A 45 DEGREE ANGLE WITHOUT STRIKING ANOTHER OBJECT AT FREE FLOATING CEILINGS.
  6. SUSPENSION SYSTEM SHALL MEET THE FOLLOWING REQUIREMENTS:
    - 6.1. MINIMUM GRID CONNECTION STRENGTH = 180 LBS.
    - 6.2. HANGER WIRE CONNECTION TO STRUCTURE = 100 LBS. MINIMUM HANGER WIRES SHALL BE MINIMUM 12 GA. AT 4'-0" SPACING OR 10 GA. AT 5'-0" SPACING / 3" ALL TWIST PER CONNECTION WITH 12" LENGTH.
    - 6.3. HANGER WIRES SHALL BE PLUMB WITHIN 1:6.
    - 6.4. SPLAY BRACING WHERE REQUIRED, SHALL HAVE 20 LBS. MINIMUM CONNECTION STRENGTH.

CONNECTIONS/HANGERS INTERSECTION STRENGTH	NOTE: USE HEAVY DUTY GRID 180 LBS
HANGERS	#12 @ 4 O.C./#10 @ 5 O.C.
PLUMB	NOT MORE THAN 1 IN 6 OR 10" FROM VERT.
CONNECTION DEVICES	MIN. 100LBS.
PERIMETER WIRES - ALL WALLS	MAXIMUM 8" FROM ALL WALLS
SPLAY BRACING 4 WIRE CLUSTERS	NOTE: USE HEAVY DUTY GRID REQUIRED OVER 1000 SF.
FIRST POINT	MAX. 6" FROM PERIMETER WALLS
SPACING	12 O.C.
CONNECTION STRENGTH	MIN. 200LBS.
COMPRESSION POS.	REQUIRED (CONDUIT/STEEL STUD)
MOLDING/PARTITIONS MOLDING	NOTE: USE HEAVY DUTY GRID MIN. 2"
ATTACHMENT (NO MOVEMENT)	REQUIRED @ 2 ADJACENT WALLS
CLEARANCE (FREE TO MOVE)	3/4" @ 2 ADJACENT WALLS
SPACER BARS	REQUIRED - IF CLIPS NOT USED
PARTITION ATTACHMENT	ALLOWED WITH BRACING, UNDER 2,500 S.F.
LIGHTING/FIXTURES LIGHTS LESS THAN 56LBS	NOTE: USE HEAVY DUTY GRID 2 CONNECTORS/2 SLACK WIRES
LIGHTS GREATER THAN 56LBS	SUSPEND FROM STRUCTURE, NOT GRID
MECHANICAL LESS THAN 20LBS	ATTACHED TO GRID
MECH. > THAN 20LBS, < THAN 56LBS.	2 SLACK WIRES
MECHANICAL GREATER THAN 56LBS	SUSPEND FROM STRUCTURE, NOT GRID



2 AIR TERMINAL / SERVICES SEISMIC RESTRAINT DETAIL  
A102 N.T.S.

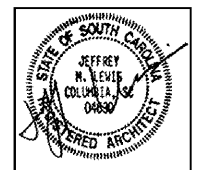


3 TYP. LIGHT FIXTURE SUPPORT  
A102 N.T.S.

- AIR TERMINAL NOTES:**
1. CEILING MOUNTED AIR TERMINALS OR SERVICES WEIGHING 20 LBS OR LESS SHALL BE POSITIVELY ATTACHED TO THE CEILING SUSPENSION MAIN RUNNERS OR CROSS RUNNERS.
  2. AIR TERMINALS OR SERVICES WEIGHING MORE THAN 20 LBS AND LESS THAN 56 LBS SHALL HAVE, IN ADDITION TO THE ATTACHMENTS NOTED ABOVE, TWO NO. 12 GAUGE HANGERS CONNECTED TO THE CEILING SYSTEM HANGERS OR TO THE STRUCTURE ABOVE. WIRES MAY BE SLACK.
  3. AIR TERMINALS OR SERVICES WEIGHING MORE THAN 56 LBS SHALL BE SUPPORTED DIRECTLY FROM THE STRUCTURE ABOVE BY APPROVED HANGERS.

- FIXTURE SUPPORT NOTES:**
1. IF FIXTURE WEIGHT IS OVER 56 LBS, FIXTURE SHALL BE SUPPORTED SOLELY FROM EACH CORNER TO STRUCTURE ABOVE. THESE WIRES SHALL BE PLUMB IF FIXTURE IS LESS THAN 56 LBS. FIXTURE SHALL HAVE 2 SLACK WIRES ON OPPOSITE CORNERS.
  2. PENDANT HUNG FIXTURES SHALL BE SUPPORTED DIRECTLY FROM STRUCTURE ABOVE USING 9 GA. WIRE WITHOUT USING THE SUSPENSION SYSTEM FOR DIRECT SUPPORT. PENETRATIONS THROUGH CEILING FOR PENDANT FIXTURES MUST ACCOMMODATE 1" OF CEILING MOVEMENT IN ALL HORIZONTAL DIRECTIONS.

**JEFF LEWIS AIA**  
581 JACOBS MILL POND ROAD  
ELGIN, SOUTH CAROLINA 29045  
803.960.5026 / jlewis@jefflewis.com



LUGOFF FACILITY EXPANSION  
SANDHILLS MEDICAL FOUNDATION  
28 BALDWIN AVENUE  
LUGOFF, SOUTH CAROLINA 29078

REV.	DATE	DESCRIPTION

JOB # 16-036-1 07.15.2019

A102