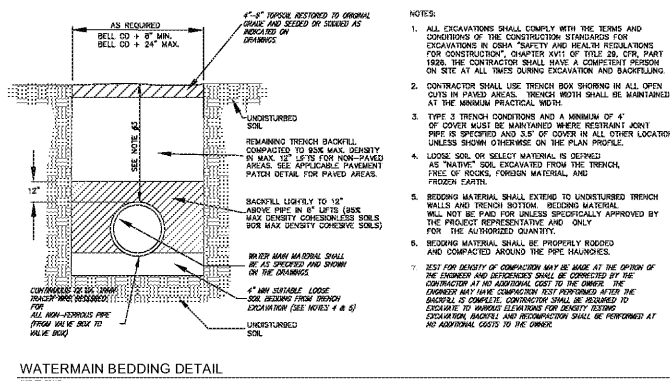
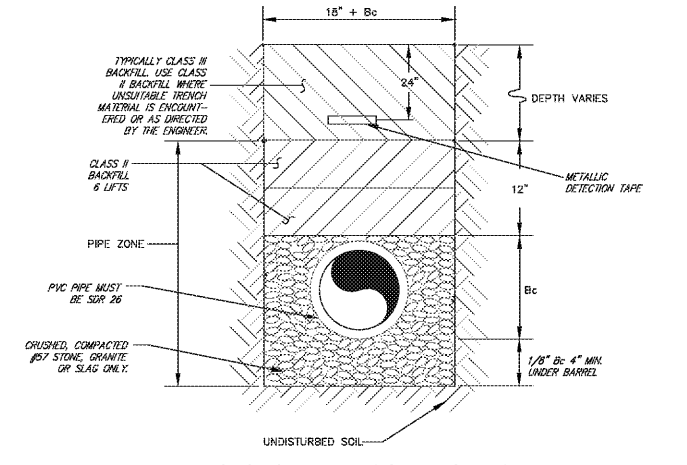


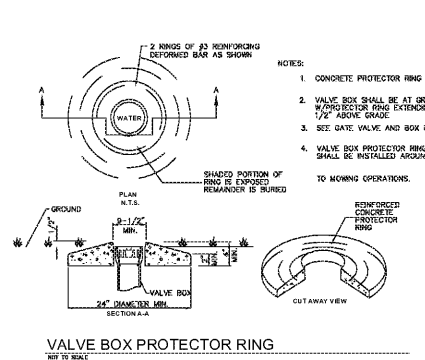
THIS DRAWING AND THE DESIGN SHOWN THEREON ARE THE PROPERTY OF JEFF LEWIS, AIA. THE REPRODUCTION, COPYING OR OTHER USE OF THIS DRAWING WITHOUT WRITTEN CONSENT OF JEFF LEWIS AIA IS PROHIBITED AND INFRINGEMENTS WILL BE SUBJECT TO LEGAL ACTION.



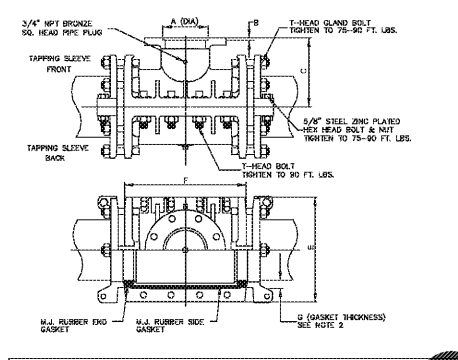
WATERMAIN BEDDING DETAIL
NOT TO SCALE



BEDDING FOR GRAVITY PVC SEWER SERVICE LINE
NOT TO SCALE



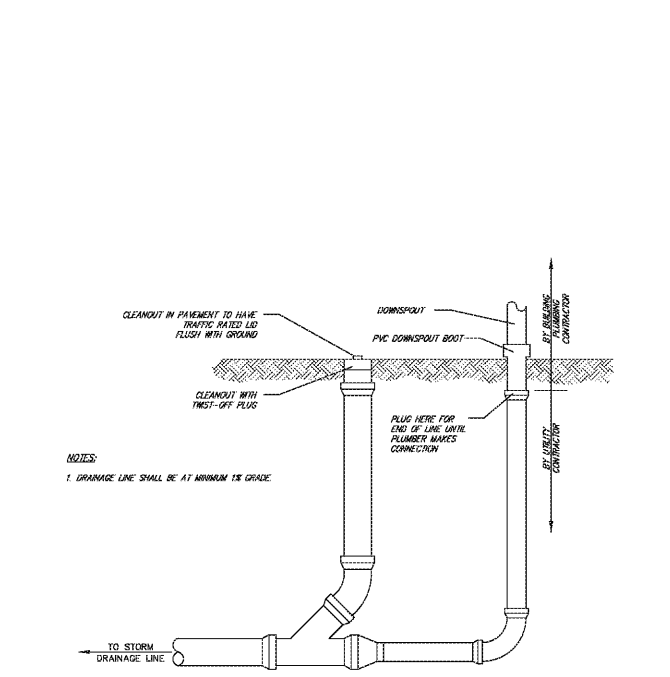
VALVE BOX PROTECTOR RING
NOT TO SCALE



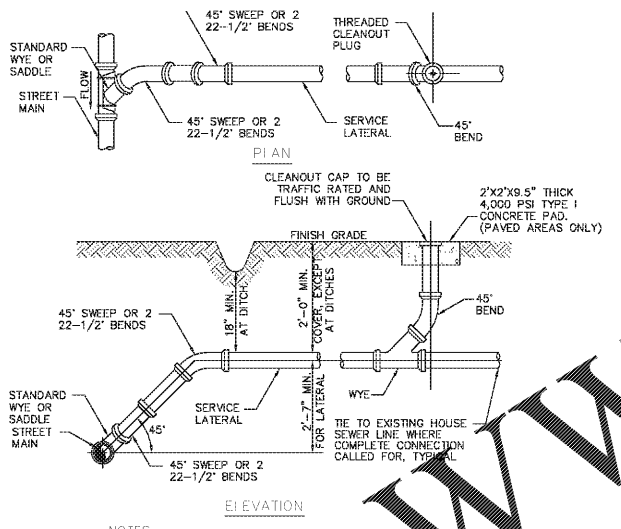
TAPPING SLEEVE DETAIL
NOT TO SCALE

Table with columns for sleeve size, pipe size, and other specifications. Includes a note: 'SLEEVE FOR USE WITH CLOROX'.

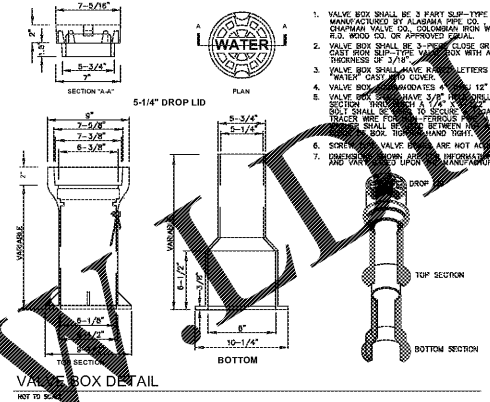
TAPPING SLEEVE DETAIL
NOT TO SCALE



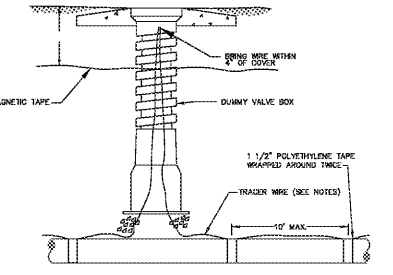
TYPICAL ROOF DRAIN DETAIL



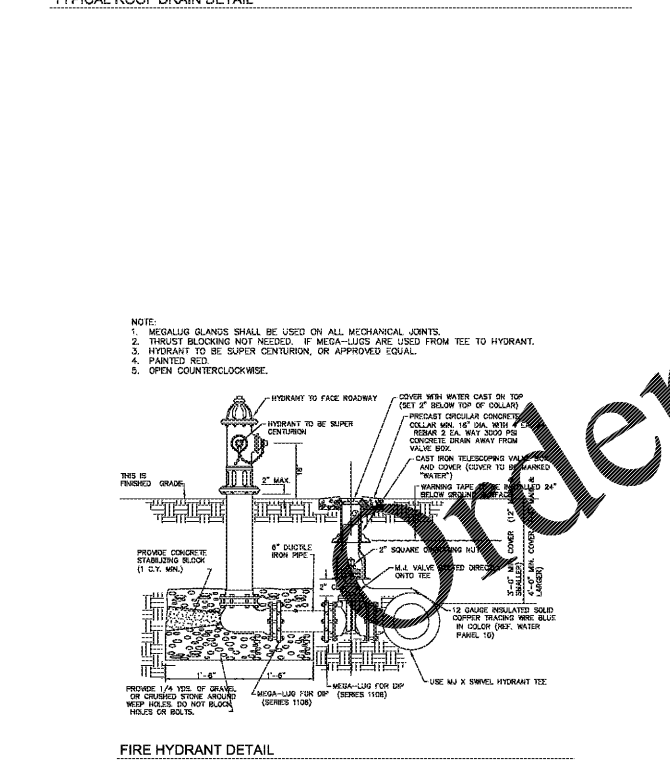
TYPICAL SEWER SERVICE LATERAL
SCALE



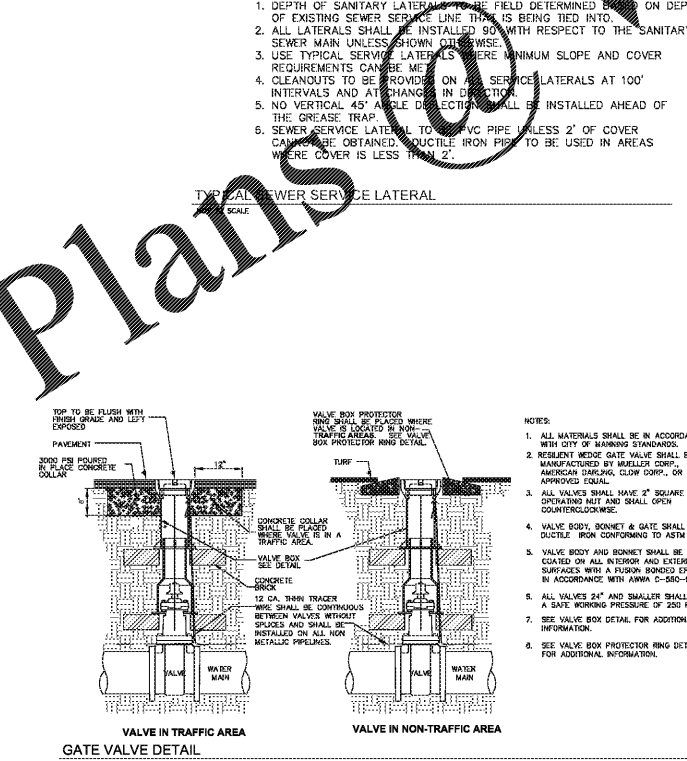
VALVE BOX DETAIL
NOT TO SCALE



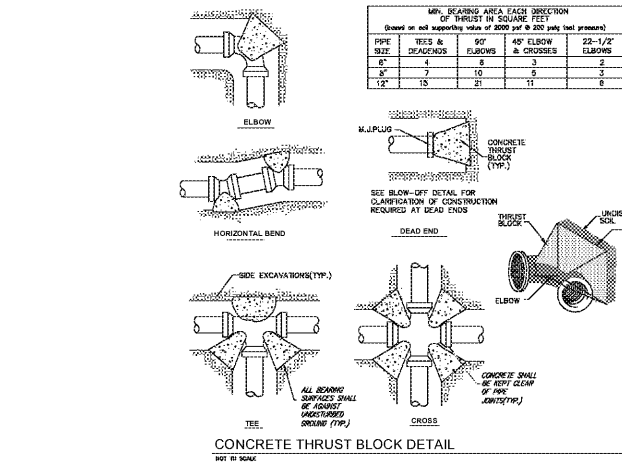
TRACER WIRE & MAGNETIC TAPE FOR WATER MAINS
NOT TO SCALE



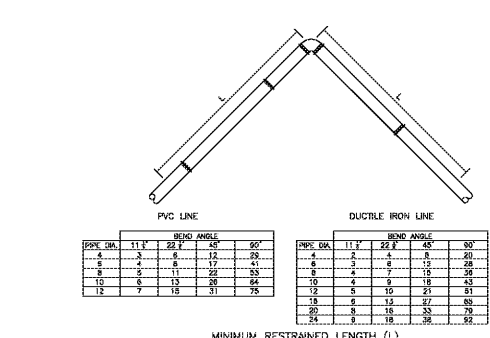
FIRE HYDRANT DETAIL
NOT TO SCALE



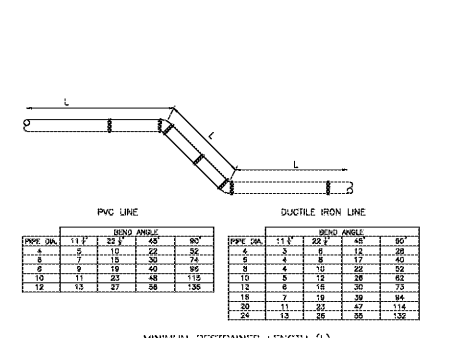
GATE VALVE DETAIL
NOT TO SCALE



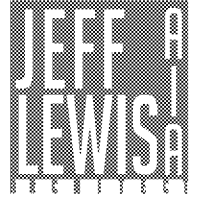
CONCRETE THRUST BLOCK DETAIL
NOT TO SCALE



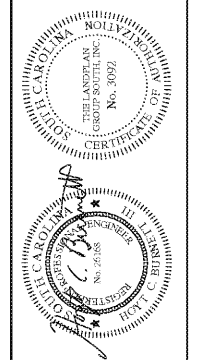
HORIZONTAL BEND RESTRAINT JOINT DETAIL
NOT TO SCALE



VERTICAL BEND RESTRAINT JOINT DETAIL
NOT TO SCALE



611 JACOBS MILL POND ROAD
ELGIN, SOUTH CAROLINA 29046
803.960.5026 / jeff@jefflewis.com



LUGOFF FACILITY EXPANSION
SANDHILLS MEDICAL FOUNDATION
28 BALDWIN AVENUE
LUGOFF, SOUTH CAROLINA 29078

Table with columns for revision number, date, and description. Includes a note: 'REVISIONS BASED ON CHANGES TO FEMA FLOOD MAPS'.

JOB # 16-039-1 07.15.2019
TLPGS NO. 803-A

DETAILS
C12.0