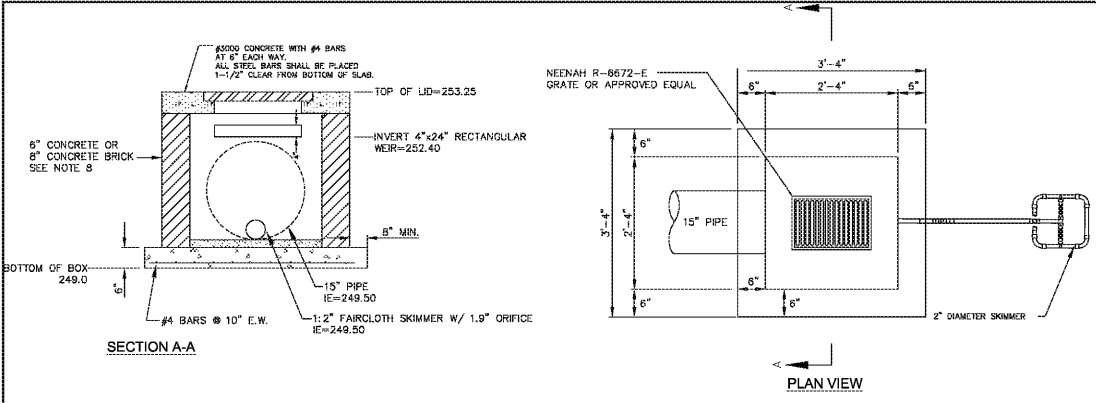
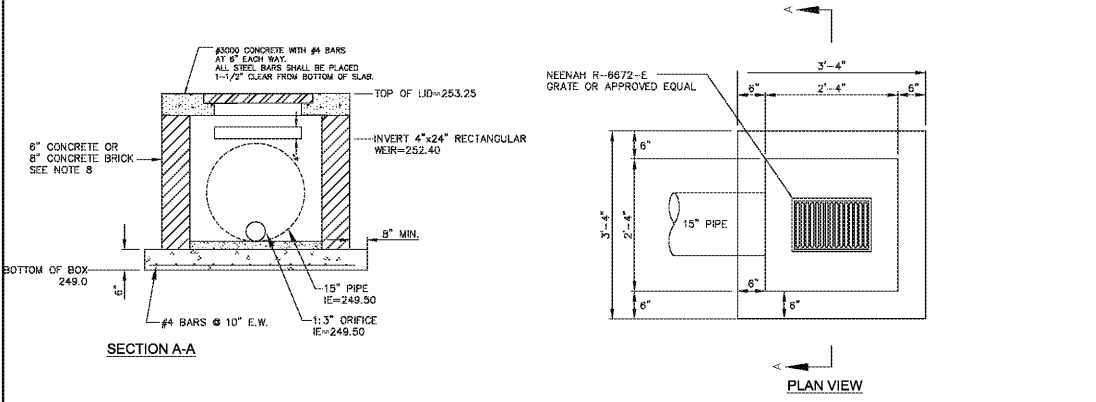


THIS DRAWING AND THE DESIGN SHOWN THEREON ARE THE PROPERTY OF JEFF LEWIS, AIA. THE REPRODUCTION, COPYING OR OTHER USE OF THIS DRAWING WITHOUT WRITTEN CONSENT OF JEFF LEWIS AIA IS PROHIBITED AND INFRINGEMENTS WILL BE SUBJECT TO LEGAL ACTION.

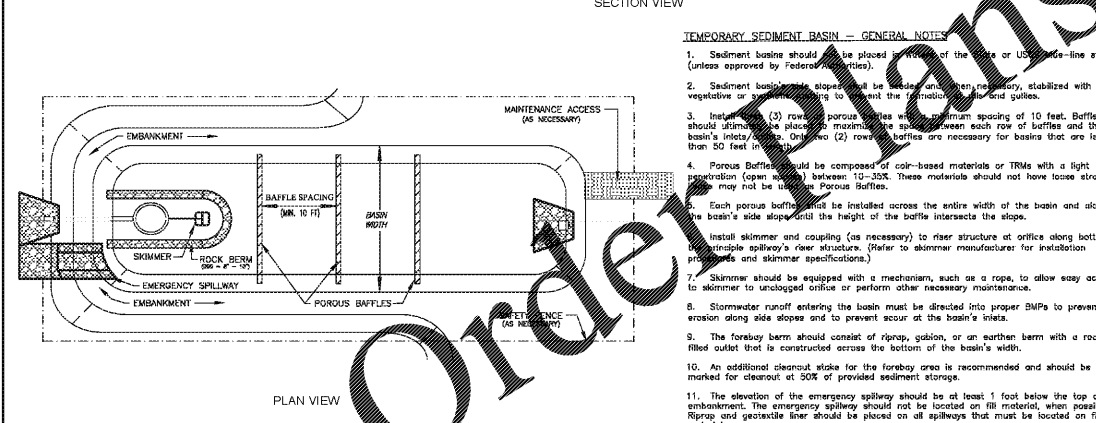
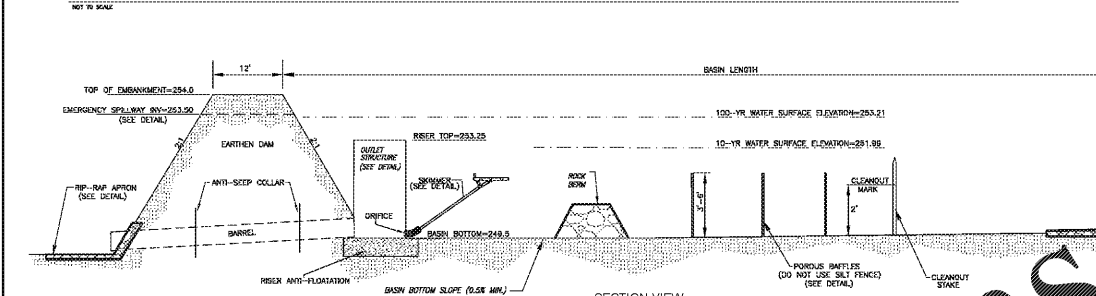


OUTLET STRUCTURE OCS 1-B (DETENTION POND) - DURING CONSTRUCTION



OUTLET STRUCTURE OCS 1-B (DETENTION POND) - POST CONSTRUCTION

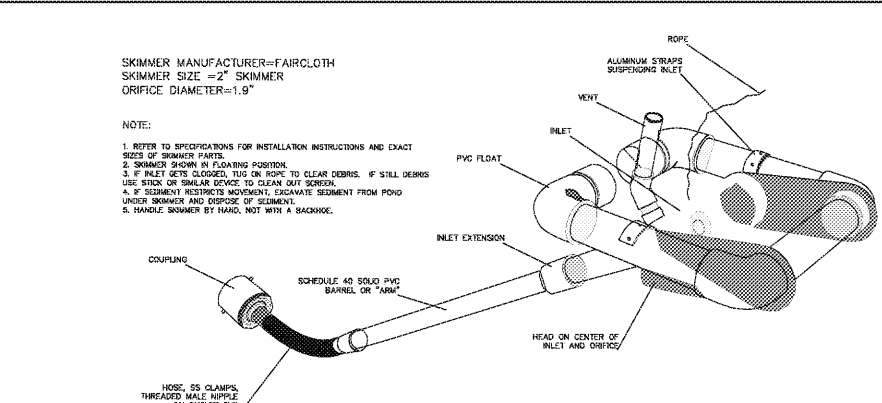
- NOTES:**
1. ALL CONCRETE SHALL BE 3,000 PSI.
  2. ENDS OF ALL PIPES SHALL BE FLUSH WITH INSIDE WALL.
  3. ALL STEEL BARS SHALL BE PLACED 1-1/2" CLEAR FROM BOTTOM AND SIDES OF SLAB.
  4. ALL STEPS SHALL PROTRUDE 4" FROM THE INSIDE FACE OF STRUCTURE WALL (IF APPLICABLE).
  5. CONCRETE BRICK WALLS SHALL HAVE A 1/4" MORTAR COAT ON INSIDE SURFACE.
  6. WALL THICKNESS IS TO BE 12" IF BOX DEPTH EXCEEDS 12'-0".
  7. ALL MATERIALS AND CONSTRUCTION ARE TO COMPLY WITH SECTION 720 OF THE SCDOT STANDARD SPECIFICATIONS FOR HIGHWAY CONSTRUCTION.
  8. REINFORCED CONCRETE MAY BE SUBSTITUTED FOR BRICK WALLS. REINFORCING TO BE #4 BARS @ 12" E.W.



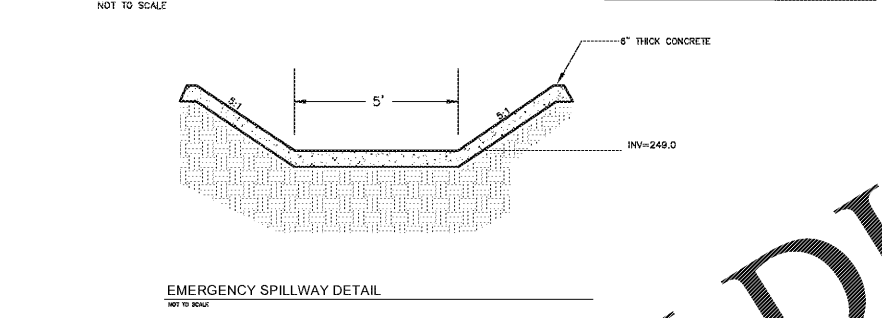
TEMPORARY SEDIMENT BASIN DETAIL (DETENTION POND DURING CONSTRUCTION)



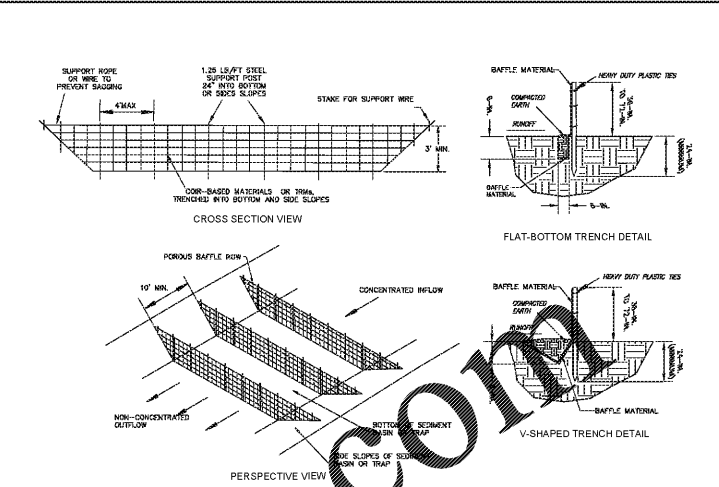
EXISTING DETENTION POND



SKIMMER DETAIL



EMERGENCY SPILLWAY DETAIL



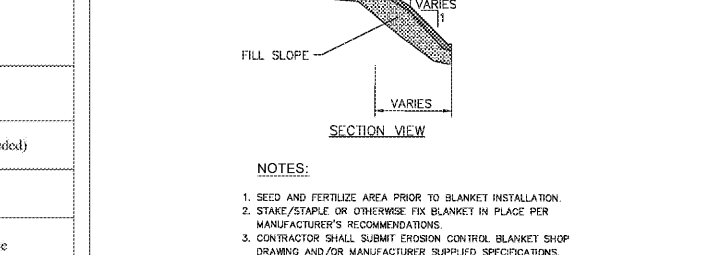
POROUS BAFFLE DETAIL

- BAFFLES - POST REQUIREMENTS**
1. Porous baffle must be attached to steel pipe that meets, at a minimum, the following characteristics:
    - Diameter of 3" (minimum)
    - Weight of 1.25-lb/ft
    - Inside a minimum strength of 24,000 psi
  2. Place steel pipe with proper slope to allow flow of water material.
  3. The baffle to be a minimum of 24-inches minimum height of 1- to 2- inches above the basin.
  4. Post spacing shall be a maximum of 4-feet on center.
- BAFFLES - GENERAL NOTES**
1. Attach baffle to the steel pipe using heavy-duty plastic ties that are evenly spaced along the above ground portion of each post.
  2. Install the baffle perpendicular to the direction of the streamer flow and place each baffle the proper distance from that and outside to allow access for maintenance and other use.

BAFFLES - INSPECTION & MAINTENANCE

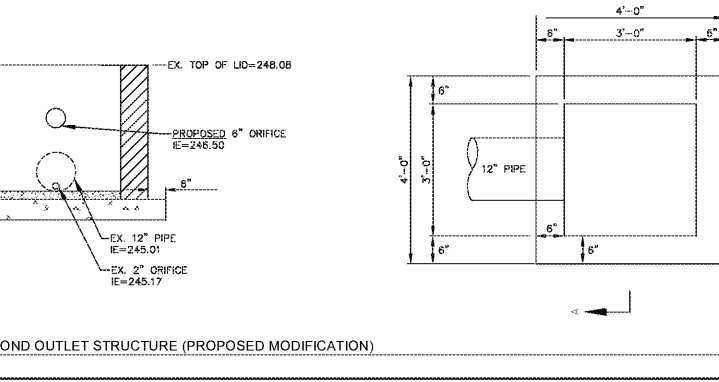
1. The key to functional porous baffle is weekly inspection, routine maintenance, and regular sediment removal.
2. Regular inspections of porous baffle shall be conducted once every calendar week end, or more frequently, within 24-hours after each rainfall event that produces 1/2-inch or more of precipitation.
3. Attention to sediment accumulations within the basin is extremely important. Accumulated sediment should be continuously checked and removed when necessary.
4. Remove accumulated sediment when it reaches 1/2 the height of the baffle row or when it reaches the stream-out height of the sediment basin or riser, whichever is reached first.
5. Removed sediment from the basin shall be placed in stockpile storage areas or spread thinly across the embankment. Stabilize the removed sediment after it is relocated.
6. Check for space after streamer runoff has ended a channel approach each row of baffle, or where the baffle has sagged or collapsed due to runoff overtopping the baffle.
7. Check for heavy/ripe within the baffle, areas where the baffle has begun to deteriorate, and for any other circumstances that may make the baffle ineffective. Remove damaged baffle and replace new baffle immediately.
8. Porous baffle should be removed within 30 days after final stabilization is achieved and area it is removed, the resulting sediment area shall be permanently stabilized.

BAFFLES - GENERAL NOTES



EROSION CONTROL MATTING DETAIL

- Recommended Maintenance**
- Note erosion of pond banks or bottom
- Inspect for damage to the embankment Monitor for sediment accumulation in the facility and forebay. Ensure that inlet and outlet devices are free of debris and operational
- Repair undercut or eroded areas Mow side slopes Pesticide/ Nutrient management Litter/ Debris Removal
- Seed or sod to restore dead or damaged ground cover.
- Removal of sediment from the forebay
- Monitor sediment accumulations, and remove sediment when the pond volume has been reduced by 25%
- Repair undercut or eroded areas Mow side slopes Pesticide/ Nutrient management Litter/ Debris Removal



EXISTING DETENTION POND OUTLET STRUCTURE (PROPOSED MODIFICATION)

WWW.LDWORLDPLANS.COM

**Dry Detention Pond Maintenance and Inspection Schedule**  
(Part of Pond Maintenance Agreement)

Recommended Maintenance	Recommended Schedule of Maintenance
Note erosion of pond banks or bottom	Semi-Annual Inspection
Inspect for damage to the embankment Monitor for sediment accumulation in the facility and forebay. Ensure that inlet and outlet devices are free of debris and operational	Annual Inspection
Repair undercut or eroded areas Mow side slopes Pesticide/ Nutrient management Litter/ Debris Removal	Standard Maintenance
Seed or sod to restore dead or damaged ground cover.	Annual Maintenance (As needed)
Removal of sediment from the forebay	5 to 7 year Maintenance
Monitor sediment accumulations, and remove sediment when the pond volume has been reduced by 25%	25 to 50 year Maintenance
Repair undercut or eroded areas Mow side slopes Pesticide/ Nutrient management Litter/ Debris Removal	Standard Maintenance

**JEFF LEWIS, AIA**

561 JACOBS MILL POND ROAD  
ELGIN, SOUTH CAROLINA 29046  
803.960.5025 / jlewis@jefflewis.com

THE LANDPLAN GROUP SOUTH  
LANDSCAPE ARCHITECTS • PLANNERS • ENGINEERS

LANDSCAPE ARCHITECTS • PLANNERS • ENGINEERS

LANDSCAPE ARCHITECTS • PLANNERS • ENGINEERS

LUGOFF FACILITY EXPANSION  
SANDHILLS MEDICAL FOUNDATION

28 BALDWIN AVENUE  
LUGOFF, SOUTH CAROLINA 29078

REVISIONS

REV.	DATE	DESCRIPTION
1.	11.22.19	Revised based on changes to FEMA flood maps.
2.	8.11.20	Bid Set

JOB # 16-039-1 07.15.2019  
TLPGS NO. 803-A

**DETAILS**

**C11.0**