

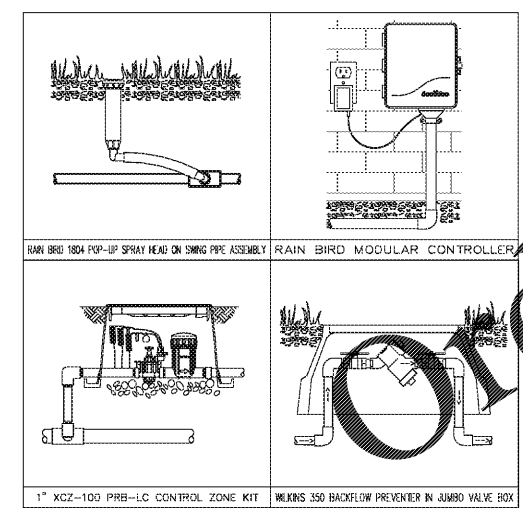
THIS DRAWING AND THE DESIGN SHOWN THEREON ARE THE PROPERTY OF JEFF LEWIS, AIA. THE REPRODUCTION, COPYING OR OTHER USE OF THIS DRAWING WITHOUT WRITTEN CONSENT OF JEFF LEWIS AIA IS PROHIBITED AND INFRINGEMENTS WILL BE SUBJECT TO LEGAL ACTION.

# LEGEND

SYMBOL	DESCRIPTION		
	RAIN BIRD INLINE DRIP TUBING ON 18" SPACING		
	RAIN BIRD 1804 POP-UP SPRAY HEADS WITH THE FOLLOWING NOZZLES:		
	8Q		8T
	8H		10Q
	10H		12Q
	12H		12TT
	12F		15Q
	15T		15H
	15EST		15SST
	1" RAIN BIRD XCZ DRIP ASSEMBLY		
	RAIN BIRD 100-PGA ELECTRIC VALVES		
	RAIN BIRD ESP MODULAR CONTROLLER		
	1" WILKINS WK350 BACKFLOW PREVENTER		
	1" BRONZE BALL VALVE		
	1" METER		
	4" PVC SLEEVING		
	PVC LATERAL PIPING		
	1 1/2" PVC MAINLINE PIPING		
	1" INLINE BACKFLOW PREVENTER (FLOOD ZONE REQUIREMENT)		

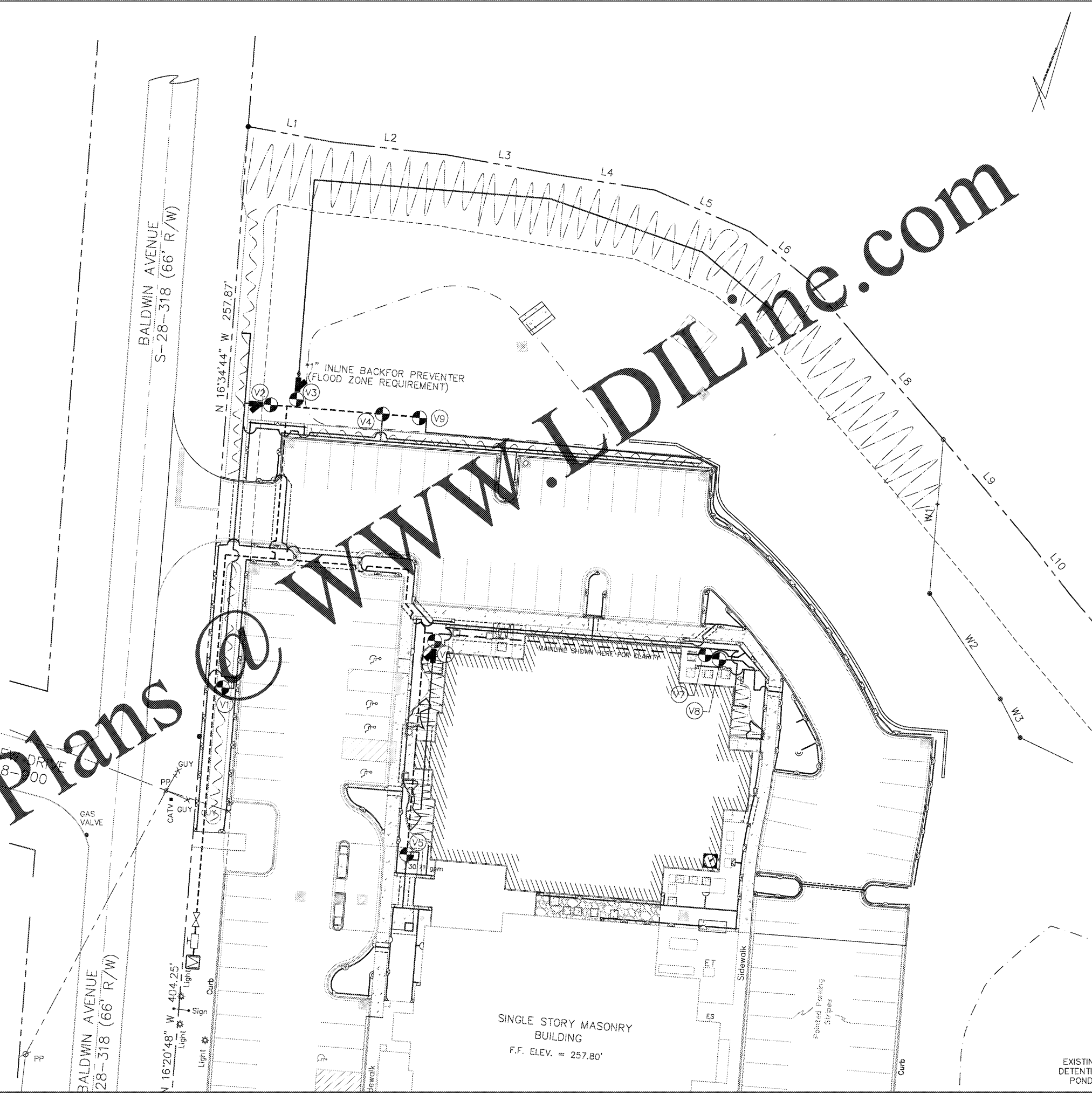
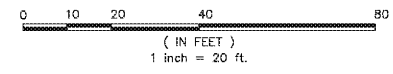
NOTES: SYSTEM BASED ON 30 GPM.

VALVE SCHEDULE			
VALVE #	GPM	SIZE	HEAD TYPE
V1	29.36	1"	1804
V2	---	1"	DRIP
V3	---	1"	DRIP
V4	23.56	1"	1804
V5	30.71	1"	1804
V6	---	1"	DRIP
V7	27.24	1"	1804
V8	12+/-	1"	1804
V9	23+/-	1"	1804



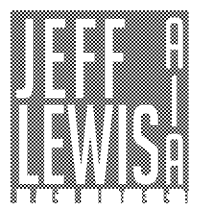
CALL 1-800-922-0983

UNDERGROUND LOCATORS  
CONTRACTOR SHALL CONTACT  
THE UNDERGROUND LOCATORS  
EVERY 10 DAYS FOR AN UPDATE  
TO UTILITY LOCATIONS.

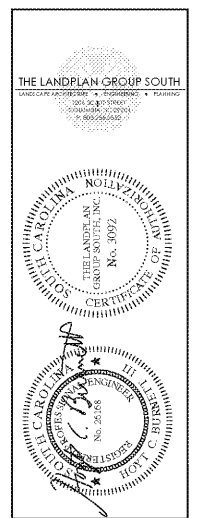


SINGLE STORY MASONRY BUILDING  
F.F. ELEV. = 257.80'

EXISTING DETENTH POND



561 JACOBS MILL POND ROAD  
ELGIN, SOUTH CAROLINA 29045  
802-960-5025 / jlw@jefflewis.com



LUGOFF FACILITY EXPANSION  
SANDHILLS MEDICAL FOUNDATION  
28 BALDWIN AVENUE  
LUGOFF, SOUTH CAROLINA 29078

REV.	DATE	DESCRIPTION
1.	11.22.19	Revised based on changes to FEMA flood maps.
2.	11.26.19	Revised irrigation layout as per Rev. 1
3.	8.11.20	Big Set

JOB # 16-039-1 07.15.2019  
TLP#S NO. 803-A

**IRRIGATION PLAN**  
**C7.1**