

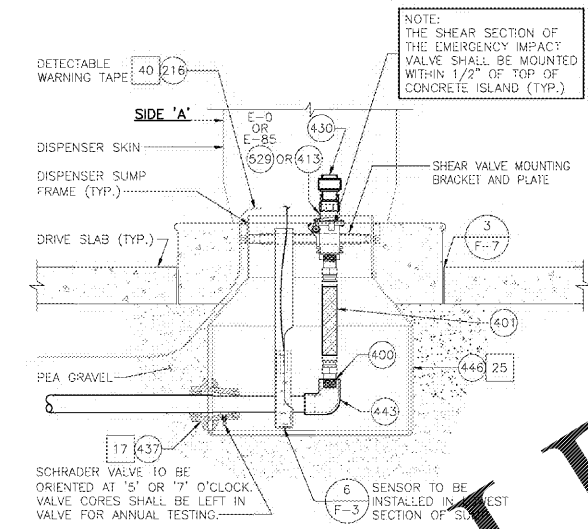
Order Plans @

- LEGEND:**
- = PART NUMBER; SEE SHEET F-1
 - = KEYNOTE; SEE SHEET F-1
 - = CONDUIT; SEE SHEET FE-1
 - = DETAIL CALLOUT
 - = ELEVATION CALLOUT
 - = SECTION CALLOUT

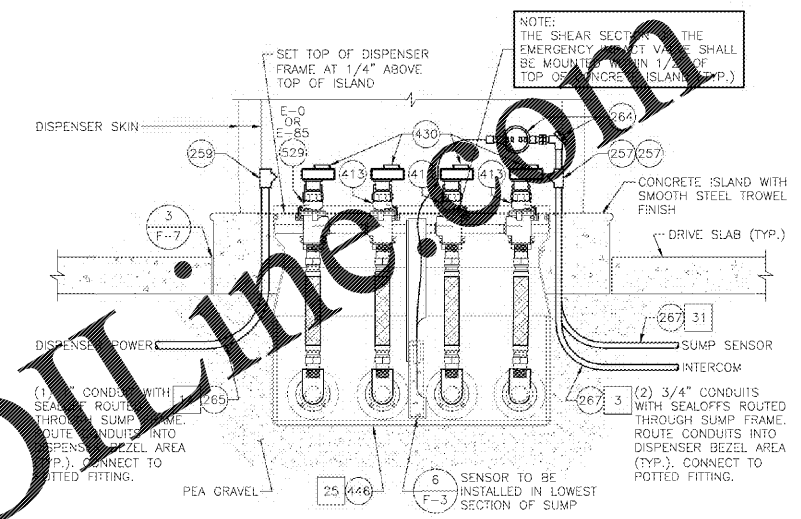
- NOTES:**
- ALL DISPENSER NOZZLES HAVE A MAXIMUM 10 GPM FLOW RATE.
 - SEE DRAWING FL-1 FOR DECAL PLACEMENT.
 - PROGRAM DISPENSERS TO LIMIT FUEL DELIVERY TO 50 GALLONS AND REQUIRE MANUAL ACTION TO RESUME.
 - ELECTRICAL CONTINUITY NOTE: ALL EQUIPMENT SPECIFIED REPRESENTS A GROUNDING CONTINUITY PATH PER NFPA70 250.96 WHEN INSTALLED AS SHOWN.

STANDARD

FD-1
WAYNE
OCTOBER 2019
STANDARDS

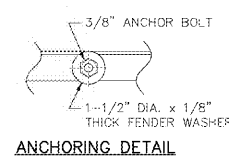


4 SIDE VIEW SECTION @ DISPENSER SUMP (PRODUCT)
SCALE: 1"=1'-0"

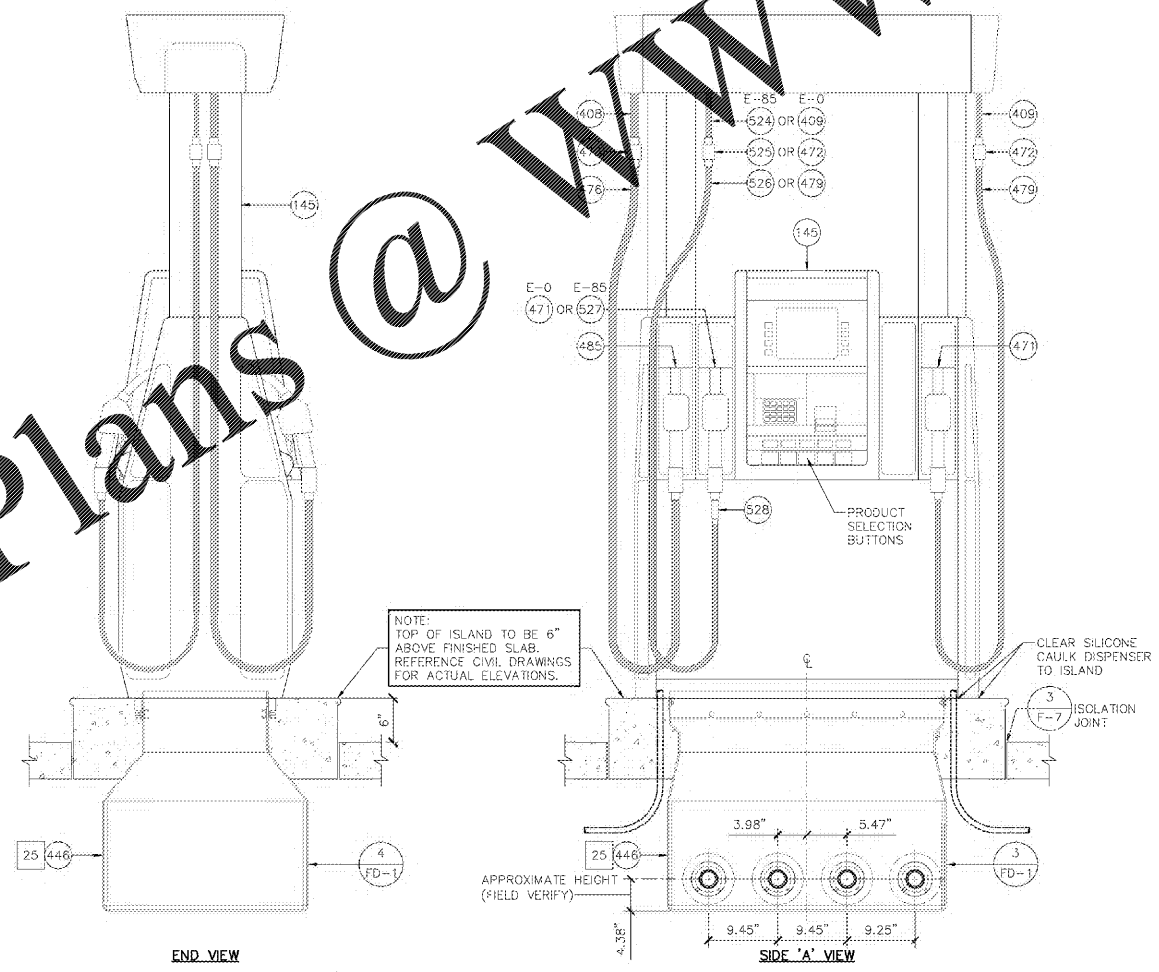


3 FRONT VIEW SECTION DETAIL @ DISPENSER SUMP
SCALE: 1"=1'-0"

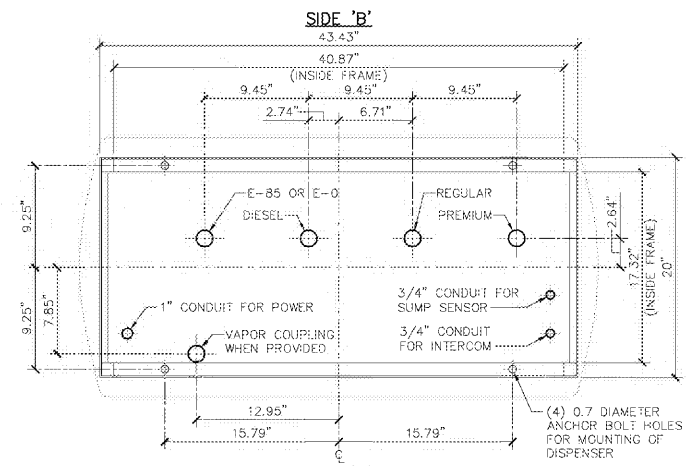
- INSTRUCTIONS FOR INITIAL ATC SETUP:**
- NOTES: SEE MURPHY ATC MANUAL FOR DETAILS. SEE SHEET F-7 FOR ISLAND LAYOUT.
- NOTE TO CONTRACTOR:**
- PHONE LINE INSTALLATION MUST BE COMPLETE AND PHONE NUMBERS MUST BE MARKED ON PHONE JACKS.
 - ELECTRICAL INSTALLATION MUST BE COMPLETE, ENERGIZED, AND INSPECTED.
 - PUMPS AND DISPENSERS MUST BE STARTED-UP AND BE OPERATING PROPERLY.
 - PRODUCT LINES MUST BE PURGED AND METERS MUST BE CALIBRATED.
 - EMERGENCY SHUTDOWN SYSTEMS MUST BE TESTED.
 - GAY TO BE NUMBERED INTERNALLY BEGINNING AT 0, THEN FOLLOW DISPENSER NUMBERING.
 - CRIND FIRMWARE VERSION 20.2.3 OR LATER TO BE INSTALLED. (FIRMWARE DOES NOT HAVE TO BE REPLACED WITH GENERIC IF THIS VERSION IS INSTALLED. IF NOT, 60.3.2 GENERIC MAY BE USED.)
 - CONTRACTOR TO PULL (2) TWISTED PAIRS TO EACH DISPENSER FOR PUMP CONTROLLER.



	B9 PLUS GRADE BLENDING RATIO	
	PREMIUM	REGULAR
OCTANE RATIO	93	87
OCTANE RATIO	34%	66%
OCTANE RATIO	92	87
OCTANE RATIO	40%	60%
OCTANE RATIO	91	87
OCTANE RATIO	50%	50%



2 WAYNE DISPENSER ELEVATION
SCALE: 1"=1'-0"

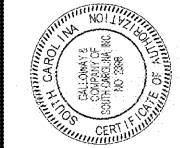


1 PLAN VIEW
SCALE: 1 1/2"=1'-0"

DISPENSER DETAILS
FOUR PRODUCT (3+1+1)

DATE: JUNE, 2020
FILE: NAME: 15-MG6800351-1D-1
SCALE: AS NOTED
NO. 1 REVISION
DATE: _____
DATE: _____
DATE: _____

Galloway
6162 S. Willow Drive, Suite 200
303 770 8844
galloway.com



COPYRIGHT
THESE PLANS ARE AN INSTRUMENT OF SERVICE AND ARE THE PROPERTY OF GALLOWAY AND MAY NOT BE DUPLICATED, DISCLOSED, OR REPRODUCED WITHOUT THE WRITTEN CONSENT OF GALLOWAY. COPYRIGHTS AND PATENT RIGHTS WILL BE ENFORCED AND PROSECUTED.

MURPHY EXPRESS
MURPHY OIL U.S.A. INC.
200 EAST PEACH STREET
EL DORADO, ARKANSAS 71730