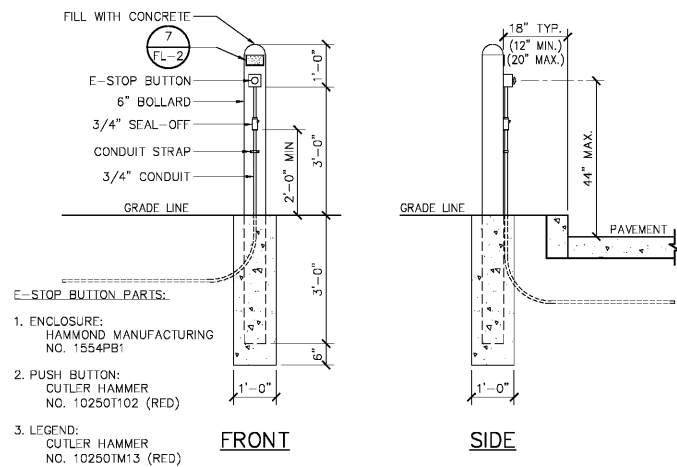
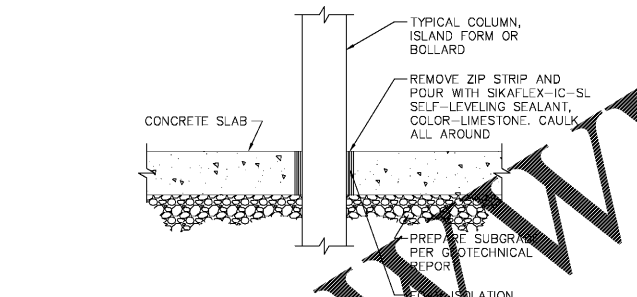


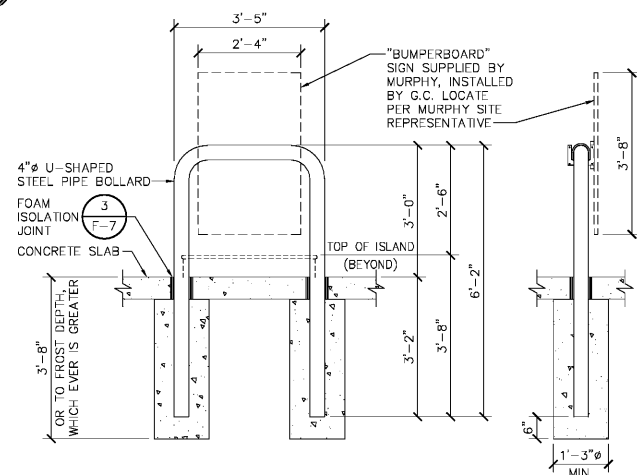
Order Plans



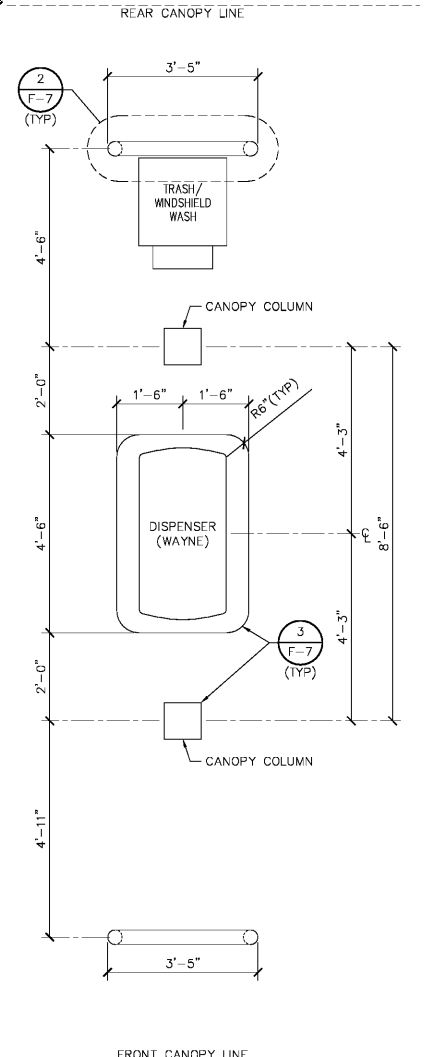
4 E-STOP ON BOLLARD
SCALE: 1/2" = 1'-0"



3 FOAM ISOLATION JOINT
NOT TO SCALE



2 U-BUMPER DETAIL
SCALE: 1/2" = 1'-0"



1 DISPENSER ISLAND DETAIL
SCALE: 1/2" = 1'-0"

LEGEND:

- ⊘ = PART NUMBER; SEE SHEET F-1
- ⊞ = KEYNOTE; SEE SHEET F-1
- ⊞ = CONDUIT; SEE SHEET FE-1
- ⊞ = DETAIL CALLOUT
- ⊞ = ELEVATION CALLOUT
- ⊞ = SECTION CALLOUT

F-7
WAYNE
OCTOBER 2019
STANDARDS



DISPENSER ISLAND DETAILS

DATE: JUNE, 2020	SCALE: AS NOTED	FILE NAME: 11-Moc800/051-F-7	DATE
No. REVISION			

NWC OAK DRIVE & HIGHWAY 1
LEXINGTON SOUTH CAROLINA

Galloway

6162 S. Willow Drive, Suite 200
Lexington, SC 29011
303.770.0888
GallowayUS.com

COPYRIGHT
THESE PLANS ARE AN INSTRUMENT OF SERVICE AND ARE THE PROPERTY OF GALLOWAY. ANY MAY NOT BE DUPLICATED, DISCLOSED, OR REPRODUCED WITHOUT THE WRITTEN CONSENT OF GALLOWAY. COPYRIGHTS AND INFRINGEMENTS WILL BE ENFORCED AND PROSECUTED.

MURPHY EXPRESS

MURPHY OIL U.S.A. INC.
200 EAST PEACH STREET
EL DORADO, ARKANSAS 71730