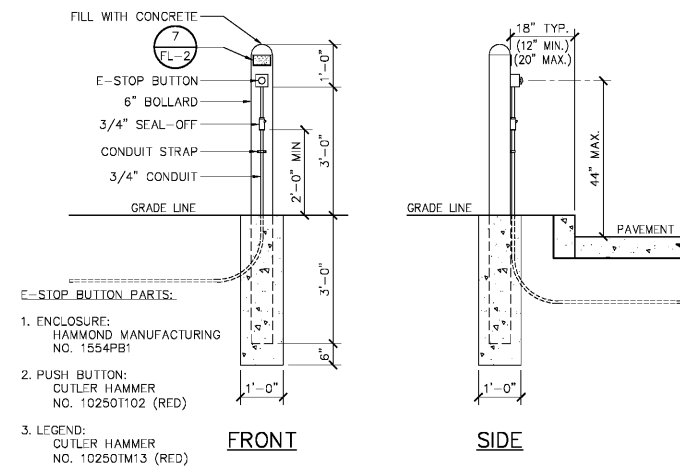
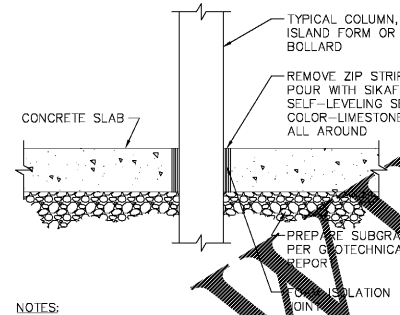


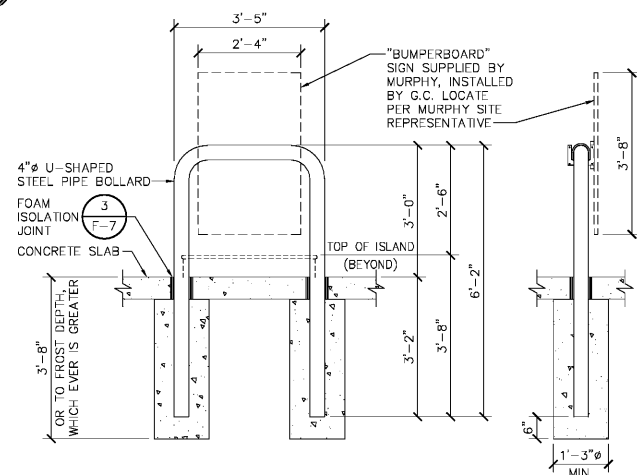
Order Plans



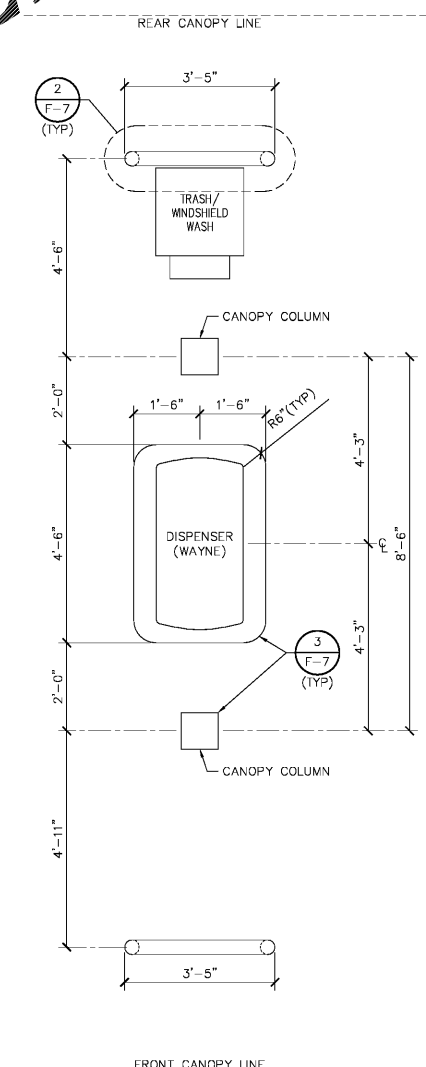
4 E-STOP ON BOLLARD
SCALE: 1/2" = 1'-0"



5 FOAM ISOLATION JOINT
NOT TO SCALE



2 U-BUMPER DETAIL
SCALE: 1/2" = 1'-0"



1 DISPENSER ISLAND DETAIL
SCALE: 1/2" = 1'-0"

LEGEND:

- ⊘ = PART NUMBER; SEE SHEET F-1
- ⊞ = KEYNOTE; SEE SHEET F-1
- ⊠ = CONDUIT; SEE SHEET FE-1
- ⊘-# = DETAIL CALLOUT
- ⊞-# = ELEVATION CALLOUT
- ⊠-# = SECTION CALLOUT

F-7
WAYNE
OCTOBER 2019
STANDARDS

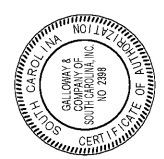


DISPENSER ISLAND DETAILS

DATE: JUNE, 2020	SCALE: AS NOTED	FILE NAME: 11-Moc800/51-F-7	DATE
No. REVISION			

NWC OAK DRIVE & HIGHWAY 1
LEXINGTON SOUTH CAROLINA

Galloway
6162 S. Willow Drive, Suite 210
Lexington, SC 29011
GallowayUS.com



COPYRIGHT
THESE PLANS ARE AN INSTRUMENT OF SERVICE AND ARE THE PROPERTY OF GALLOWAY, AND MAY NOT BE DUPLICATED, DISCLOSED, OR REPRODUCED WITHOUT THE WRITTEN CONSENT OF GALLOWAY. COPYRIGHTS AND INFRINGEMENTS WILL BE ENFORCED AND PROSECUTED.

MURPHY EXPRESS
MURPHY OIL U.S.A. INC.
200 EAST PEACH STREET
EL DORADO, ARKANSAS 71730