



TANK RISER, OBSERVATION WELL AND VENTING DETAILS
DATE: JUNE, 2020
SCALE: AS NOTED
FILE NAME: 08-Moc800/051-F-4
NWC OAK DRIVE & HIGHWAY 1
LEXINGTON SOUTH CAROLINA

Galloway
6102 S. Wilcox Drive, Suite 320
Charlotte, NC 28211
303.770.9884
GallowayUS.com

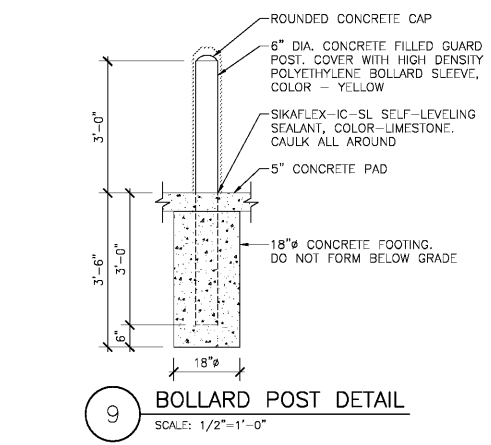
COPYRIGHT
THESE PLANS ARE AN INSTRUMENT OF SERVICE AND ARE THE PROPERTY OF GALLOWAY, AND MAY NOT BE DUPLICATED, DISCLOSED, OR REPRODUCED WITHOUT THE WRITTEN CONSENT OF GALLOWAY. COPYRIGHTS AND INFRINGEMENTS WILL BE ENFORCED AND PROSECUTED.

MURPHY EXPRESS
MURPHY OIL U.S.A. INC.
200 EAST PEACH STREET
EL DORADO, ARKANSAS 71730

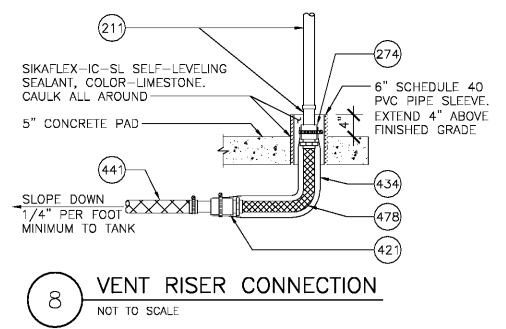
1/16" = 1"

- LEGEND:**
- # = PART NUMBER; SEE SHEET F-1
 - # = KEYNOTE; SEE SHEET F-1
 - # = CONDUIT; SEE SHEET FE-1
 - X-# = DETAIL CALLOUT
 - X-# = ELEVATION CALLOUT
 - X-# = SECTION CALLOUT

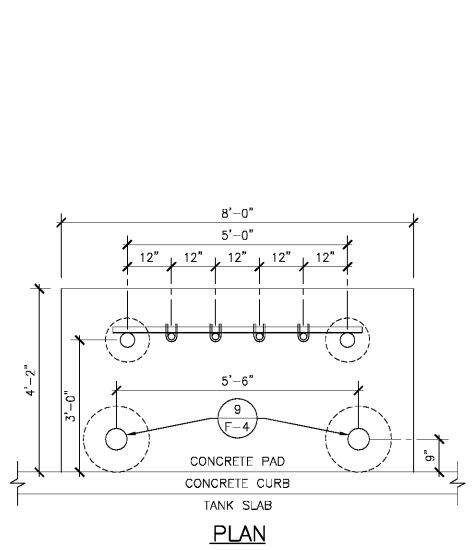
- GENERAL NOTES:**
- MANHOLES ARE TO BE INSTALLED CO-LINEAR, LEVEL AND PLUMB WITH UNIFORM SPACING BETWEEN MANHOLE SKIRTS AND APPURTENANCES WHICH ARE TO BE ACCESSED THEREBY.
 - CARE SHOULD BE TAKEN PLACING CONCRETE TO AVOID SPLATTER INTO OR ON THE MANHOLE DUE TO CONCRETE HANDLING DURING PLACEMENT.
 - GAUGES (STRIKER) PLATES ARE LOCATED UNDER ALL OPENINGS PER TANK MANUFACTURER.
 - CAPS AND LIDS USED ON FILL PIPES CAN BE LOCKED OR SEALED PER MANUFACTURER.



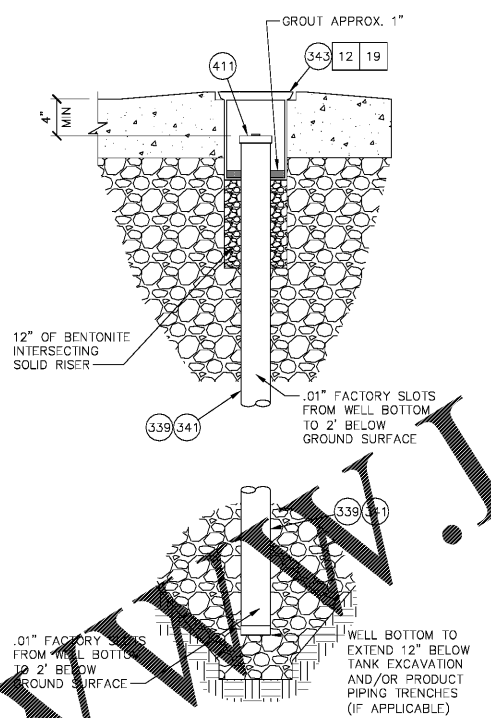
9 BOLLARD POST DETAIL
SCALE: 1/2"=1'-0"



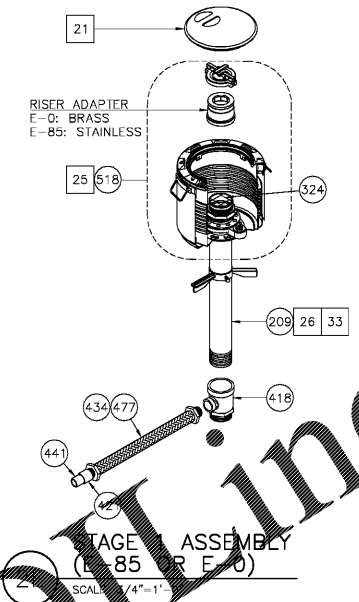
8 VENT RISER CONNECTION
NOT TO SCALE



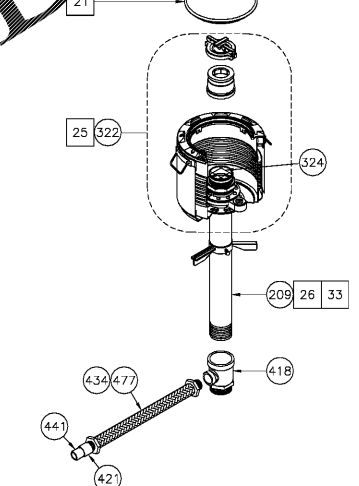
7 VENT RISER DETAIL
SCALE: 1/2"=1'-0"



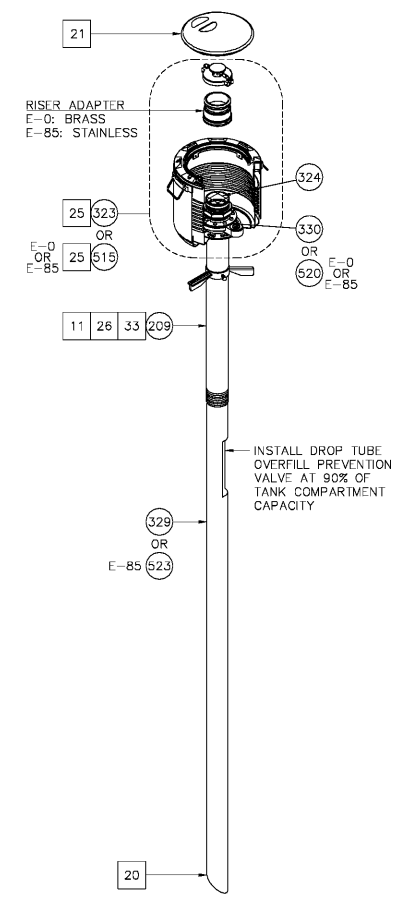
6 OBSERVATION WELL DETAIL
SCALE: 1"=1'-0"



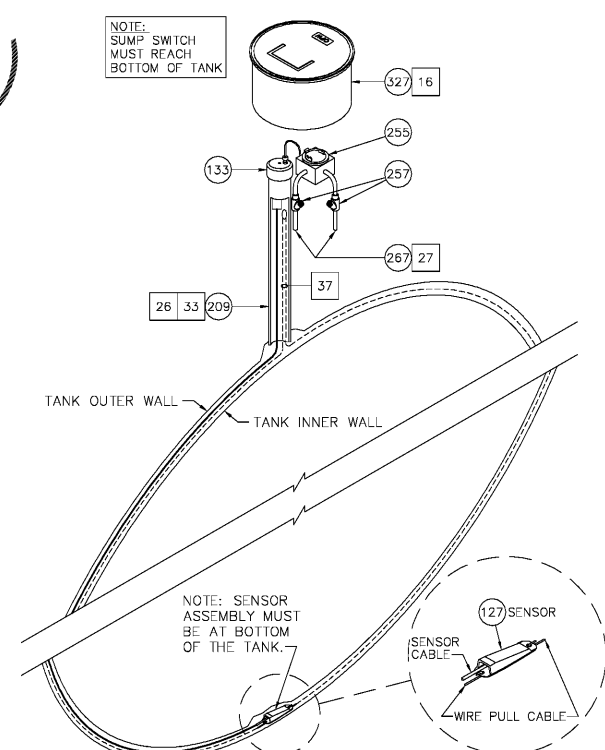
2PD STAGE 1 ASSEMBLY (PREMIUM AND DIESEL)
SCALE: 3/4"=1'-0"



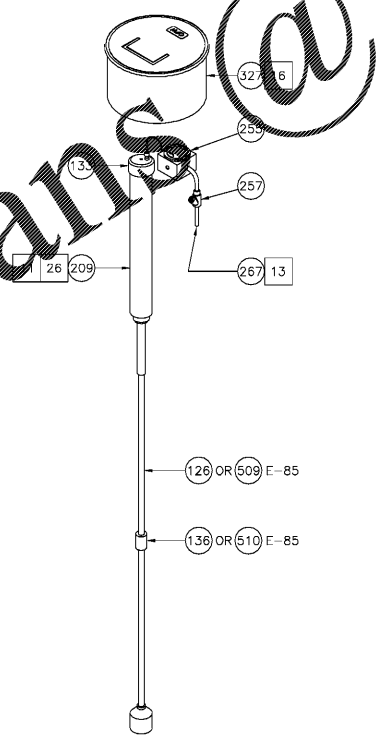
2R STAGE 1 ASSEMBLY (REGULAR)
SCALE: 3/4"=1'-0"



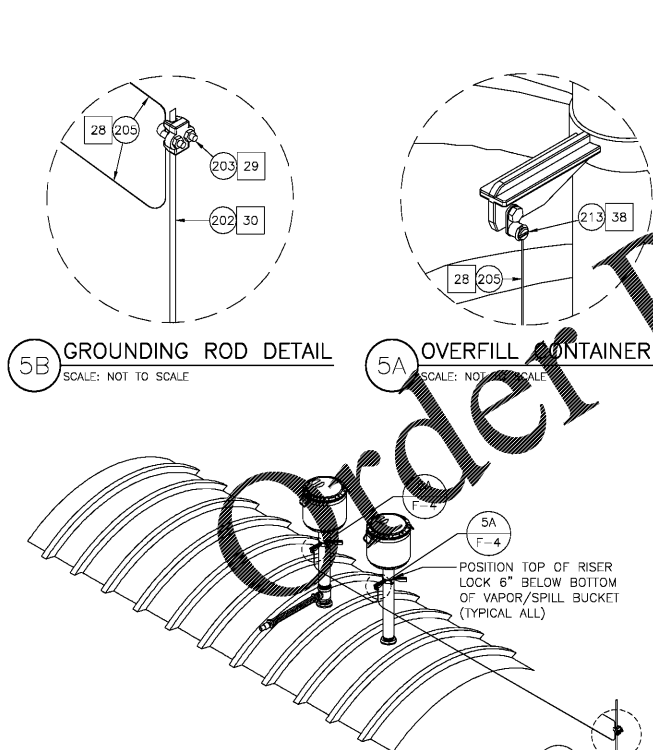
1 TANK FILL ASSEMBLY
SCALE: 3/4"=1'-0"



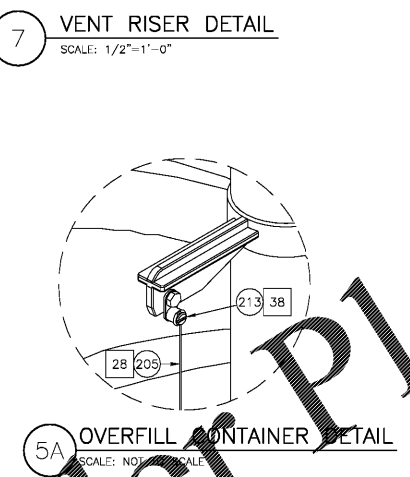
3 INTERSTITIAL PROBE ASSEMBLY
SCALE: 3/4"=1'-0"



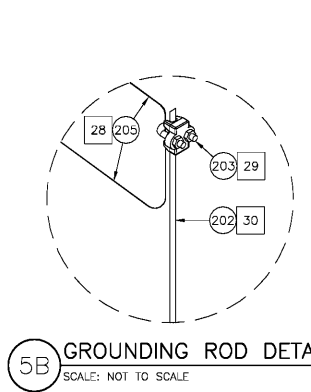
4 TANK GAUGE ASSEMBLY
SCALE: 3/4"=1'-0"



5 GROUNDING SYSTEM DETAIL
SCALE: 3/8"=1'-0"



5A OVERFILL CONTAINER DETAIL
SCALE: NOT TO SCALE



5B GROUNDING ROD DETAIL
SCALE: NOT TO SCALE

P:\Murphy Oil Tank & Piping\SC - Lexington EXP (8803) (Rev 1) - Mod80751\Fuel05\Moc800751_F-4.dwg - Eric Farnham - 04/20/20 1:41 AM