

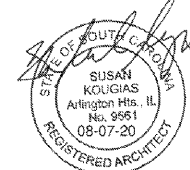
**COPYRIGHT NOTICE**  
This drawing is the property of the above referenced Professional and is not to be used for any purpose other than the specific project and site named herein, and cannot be reproduced in any manner without the express written permission from the Professional.

**ISSUE RECORD**

DATE	REV.	DESCRIPTION
05/20/2020		PERMIT SUBMISSION SET
08/07/2020	2	OUT TO BID SET



**PROFESSIONAL SEAL**



**PROFESSIONAL IN CHARGE**  
SUSAN NELSON KOUSSIAS

**PROJECT MANAGER**  
JOHN NASHED

**QUALITY CONTROL**  
CHRIS CERBO

**DRAWN BY**  
CA/SS

**PROJECT NAME**

**MURPHY EXPRESS**

**MURPHY OIL FUEL FACILITY CANOPY**

**NW CORNER HWY 1 & OAK DRIVE, LEXINGTON SOUTH CAROLINA 29073**



1801 Rockdale Industrial Blvd.  
Conyers, Georgia 30012  
Voice: (800) 365-6385  
Fax: (770) 409-6037  
FMS JOB NUMBER: C20181975.5  
FMS MODEL NUMBER: XXXXXX

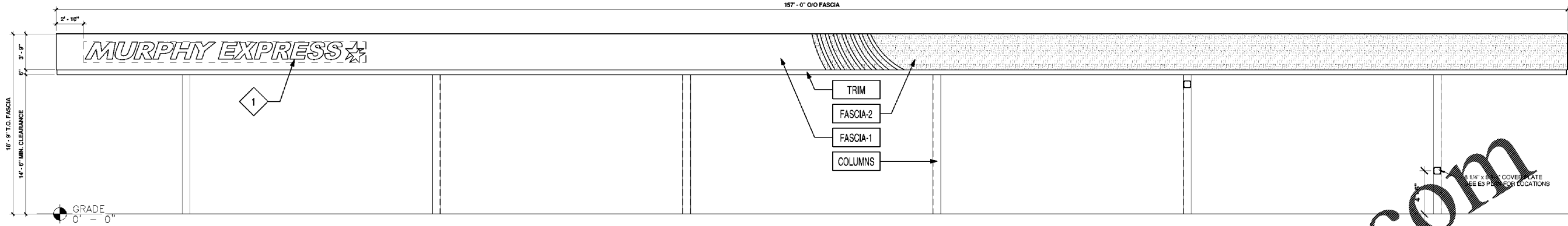
**PROJECT NUMBER**  
20181975.5

**SHEET TITLE**

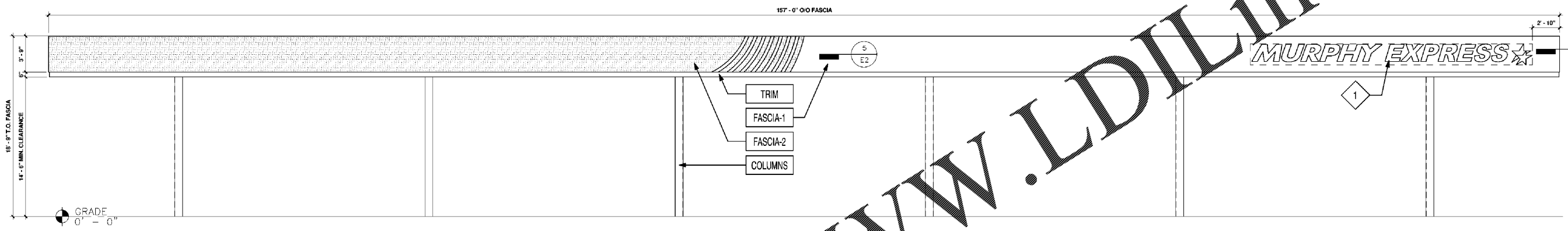
**ELEVATIONS**

**SHEET NUMBER**

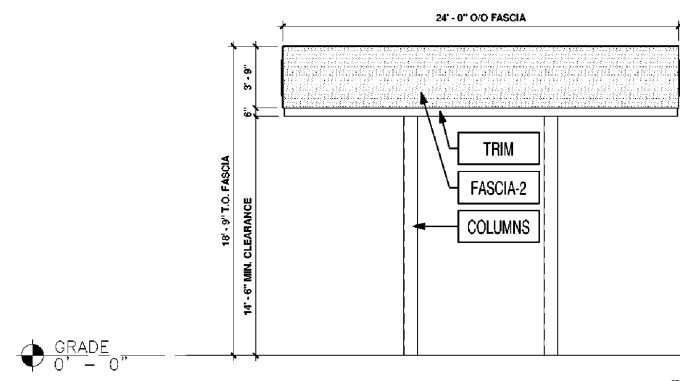
**E2**



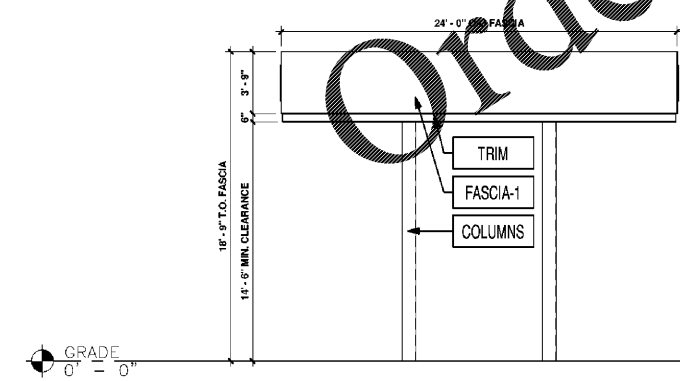
**1 FRONT ELEVATION (SOUTH WEST)**  
3/16" = 1'-0"



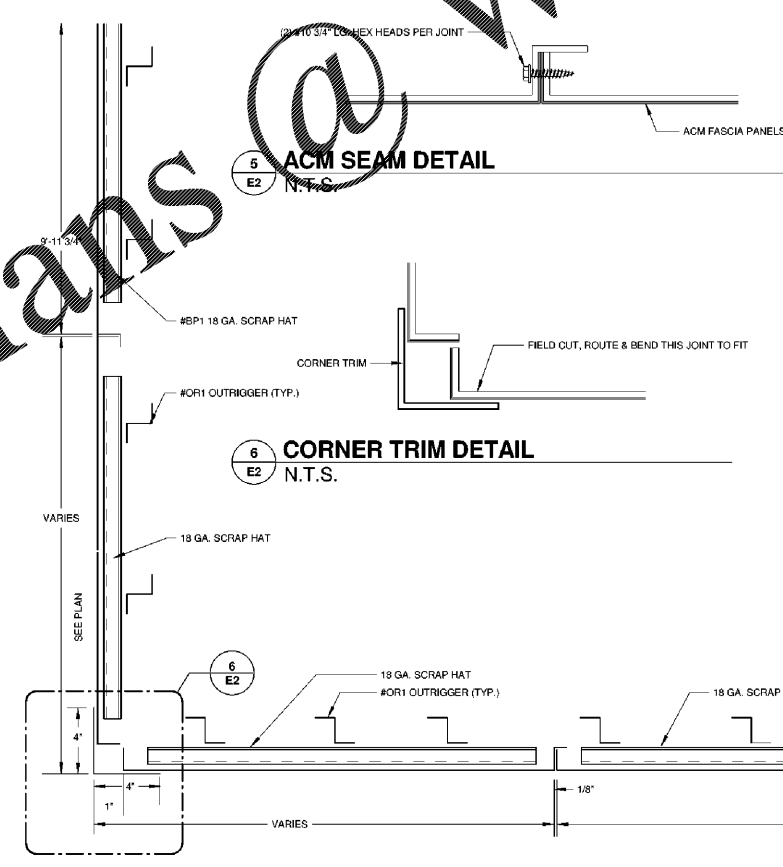
**2 REAR ELEVATION (NORTH EAST)**  
3/16" = 1'-0"



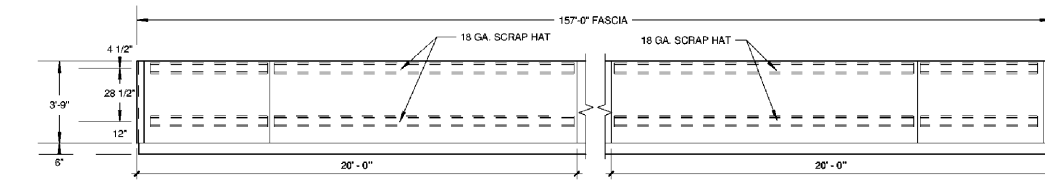
**3 RIGHT ELEVATION (SOUTH EAST)**  
3/16" = 1'-0"



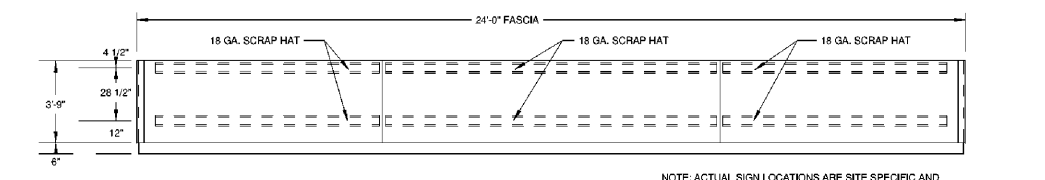
**4 LEFT ELEVATION (NORTH WEST)**  
3/16" = 1'-0"



**9 SECTION 'E' - CORNER FASCIA DETAIL (TYP.)**  
1/4" = 1'-0"



**7 SIGN SUPPORT DETAIL - ELEVATIONS 1 & 2**  
N.T.S.



**8 SIGN SUPPORT DETAIL - ELEVATIONS 3 & 4**  
N.T.S.

**KEYED NOTES**

- 1 MURPHY LOGO SIGN FURNISHED BY FMS INSTALLED BY FMS. SIGNAGE - 61.0 X 2 - 128.0 SQ. FT.

**FINISH SCHEDULE**

ITEM	MATERIAL	FINISH	NOTES
FASCIA-1	ACM (ALUMINUM COMPOSITE MATERIAL)	ACM FASCIA "BRUSHED ALUMINUM"	FURNISHED & INSTALLED BY FMS
FASCIA-2	ACM (ALUMINUM COMPOSITE MATERIAL)	ACM FASCIA "PROGRAM RED" BY ALPOLIC	FURNISHED & INSTALLED BY FMS
TRIM	20 GA. SHEET METAL	6" HT. PRE-FINISHED METAL ACCENT BAND "PURE WHITE" SW #7005	FURNISHED & INSTALLED BY FMS
COLUMNS	SEE STRUCTURAL DRAWINGS	PAINTED "DORMER BROWN" SW #7521	FURNISHED & INSTALLED BY FMS PAINTED BY SITE CONTRACTOR IN FIELD
		(1) SHOP COAT OF RUST INHIBITIVE PRIMER	(1) SHOP COAT OF RUST INHIBITIVE PRIMER FURNISHED AND APPLIED BY FMS

Order Plans @ www.LDILine.com

www.LDILine.com

C:\Users\jphillips\OneDrive\Documents\20181975.5\20181975.5.dwg, 08/07/2020, 10:51:11 AM, 11/01/2019