

**COPYRIGHT NOTICE**  
This drawing is the property of the above referenced Professional and is not to be used for any purpose other than the specific project and site named herein, and cannot be reproduced in any manner without the express written permission from the Professional.

**ISSUE RECORD**

DATE	REV.	DESCRIPTION
05/20/2020		PERMIT SUBMISSION SET
07/09/2020	1	FMS CANOPY COMMENTS
08/07/2020	2	OUT TO BID SET

**PROFESSIONAL SEAL**



**PROFESSIONAL IN CHARGE**

K NOLAN

**PROJECT MANAGER**

M YOUNG

**QUALITY CONTROL**

B McGLADE

**DRAWN BY**

D MAHONEY

**PROJECT NAME**



**MURPHY OIL FUEL FACILITY CANOPY**

NW CORNER HWY 1 & OAK DRIVE, LEXINGTON SOUTH CAROLINA 29073



1801 Rockdale Industrial Blvd.  
Conyers, Georgia 30012  
Voice: (800) 368-6385  
Fax: (770) 408-6037

FMS JOB NUMBER  
C230M/00062  
FMS MODEL NUMBER  
XXXXXX

**PROJECT NUMBER**  
20181975.5

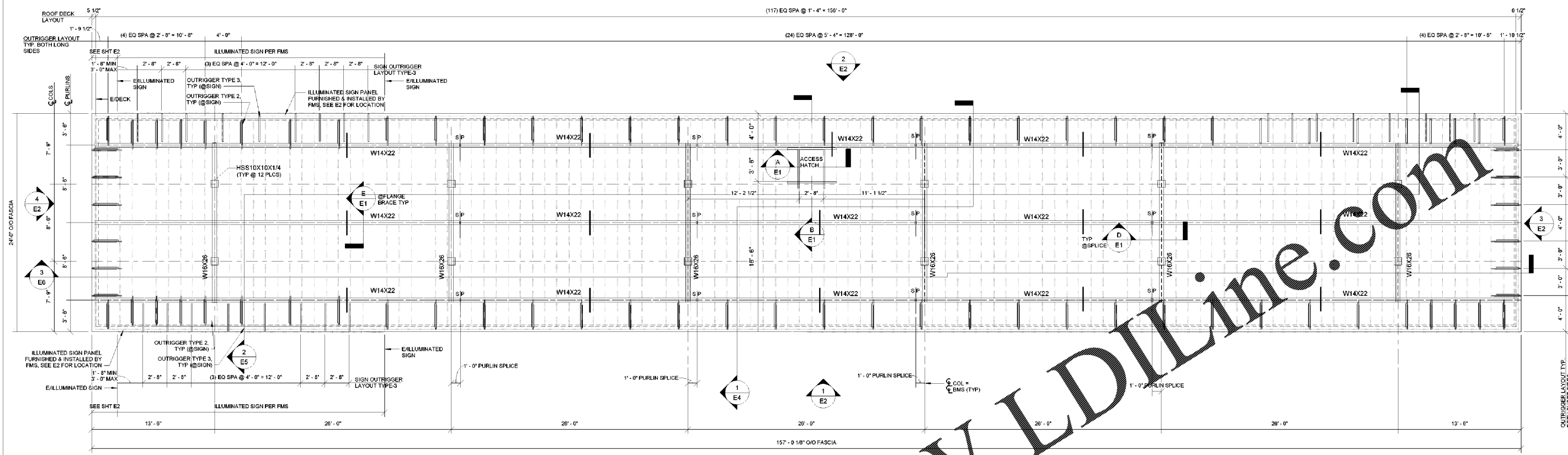
**SHEET TITLE**

**FRAMING PLAN**

**SHEET NUMBER**

**E1**

**PROTO VS.1 11/01/2019**



**1 FRAMING PLAN**  
E1 3/16" = 1'-0"

- FRAMING PLAN NOTES:**
- SEE SHEET S1 FOR STRUCTURAL GENERAL NOTES.
  - ALL ELEVATIONS REFERENCED FROM FINISH FLOOR ELEVATION OF 0'-0" FOR REFERENCE ONLY. SEE CIVIL FOR ACTUAL FINISH FLOOR ELEVATION.
  - S/P INDICATES BEAM SPLICE. SEE SECTION D/E1.
  - ROOF DECK SHALL BE 3"x16"x20 GA ROLLED EMBOSSED WHITE ACRYLIC.
  - COORDINATE SIGN LOCATIONS WITH SHEET E2.
  - COORDINATE ILLUMINATED SIGN OUTRIGGER LOCATION AND REQUIREMENTS WITH FMS.

**DIRECTOR'S SCOPE OF WORK:**

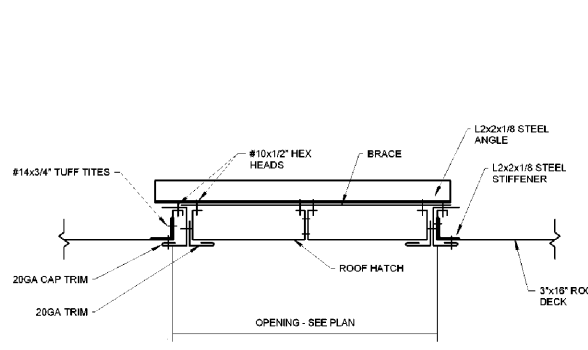
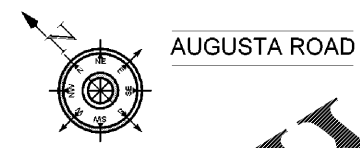
- INSTALL STEEL COLUMNS, BEAMS AND PURLINS
- INSTALL CANOPY CEILING DECK AND LIGHTS
- INSTALL COLUMN TRIM
- INSTALL SCUPPER & OVERFLOWS (IF APPLICABLE) WHERE SHOWN ON E3
- INSTALL OUTRIGGERS AND FASCIA PANELS
- CLEAN & TOUCH UP ALL PRE-FINISHED MATERIAL (CAULK JOINTS PER SPECIFICATIONS BELOW)
- REMOVE ALL FMS DEBRIS FROM JOB SITE

**CAULKING SPECIFICATIONS:**

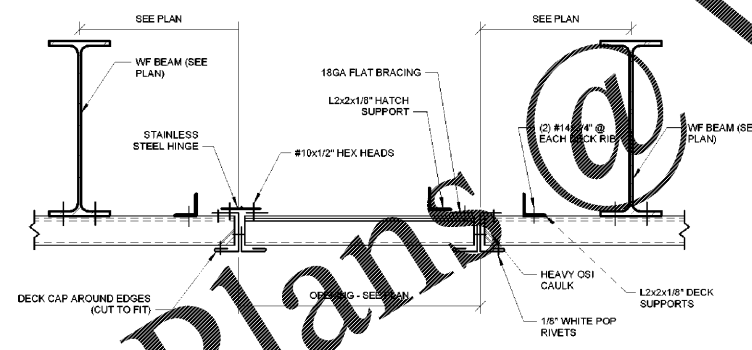
- CAULK THE FOLLOWING W/DOW CORNING #999-A WHITE SILICONE:
  - COLUMN TRIMS TO DECK & COLUMN
  - ALL WHITE MATERIAL JOINTS
- CAULK THE FOLLOWING W/OSI SBR-100 RUBBER CAULKING:
  - GUTTER FLASHING JOINTS
  - COLUMN TRIM TO COLUMN ABOVE DECK
  - FLANGE BRACE TO DECK
  - DECK PENETRATIONS

**ITEMS NOT BY FMS:**

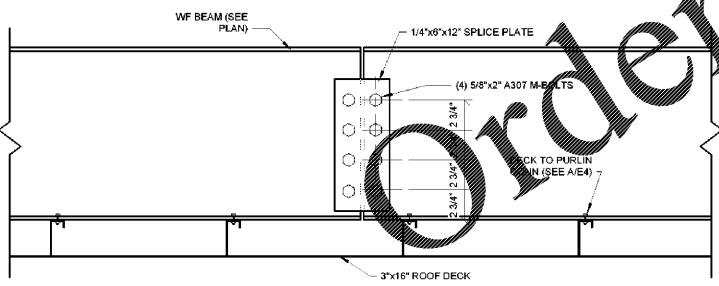
- ELECTRICAL
- CONCRETE WORK
- PERMITS
- FURNISH LIGHTS
- FURNISH PRICE SIGNS



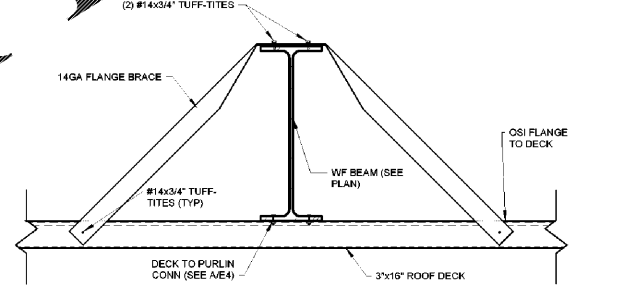
**A SECTION AT ROOF HATCH 1**  
E1 1 1/2" = 1'-0"



**B SECTION AT ROOF HATCH**  
E1 1 1/2" = 1'-0"



**D PURLIN SPLICE DETAIL**  
E1 1 1/2" = 1'-0"



**E FLANGE BRACE DETAIL**  
E1 1 1/2" = 1'-0"



**BAKER, INGRAM, & ASSOCIATES**  
STRUCTURAL ENGINEERS

TWO WHITE HORSE PIKE HADDON HEIGHTS, NJ 08055  
(856) 310-1491 fax: (856) 310-1829

Order Plans @

WWW.LDILine.com

P:\Users\GFB\BakIn\Drawings\20181975.5 - 21 - 12' x 16' - 0" - 11/01/2019\MLC.dwg