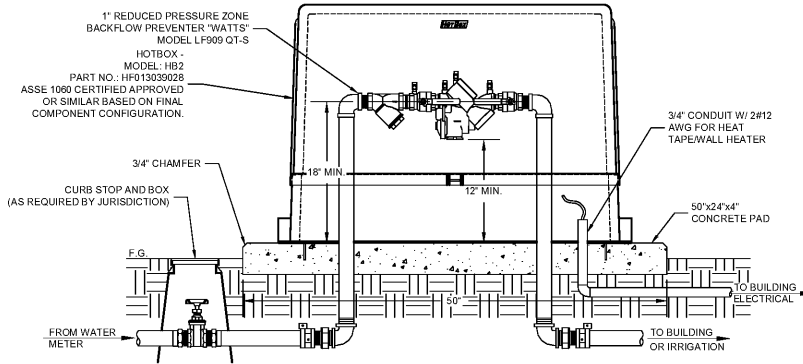
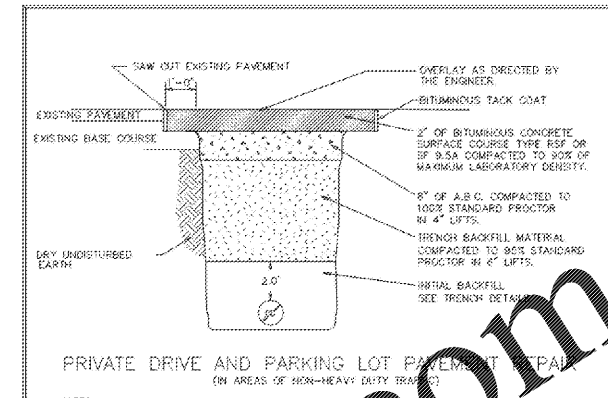


STANDARD DETAIL
CITY OF CAYCE
SEWER CONNECTIONS
AT MANHOLES



- NOTES:
1. THIS PLAN REPRESENTS AN ACCEPTABLE METHOD FOR PLACEMENT OF A BACKFLOW PREVENTER AND VAULT, HOWEVER, ALL LOCAL CODES VARY AND MUST BE ADHERED TO FOR VALVEMETER ASSEMBLY.
 2. HEAT IS PROVIDED BY A 90 WATT, 120V SINGLE PHASE HEAT TRACE TAPE OR WALL MOUNTED HEATER. FOR UNHEATED VERSION, REPLACE THE PREFIX "1" IN THE PART NO. WITH AN "L".
 3. FOUR CONCRETE ANCHORS REQUIRED FOR MOUNTING.
 4. STANDARD COLOR IS BEIGE. (OPTIONS ARE AVAILABLE).



PRIVATE DRIVE AND PARKING LOT PAVEMENT REPAIR
(IN AREAS OF NON-HEAVY DUTY TRAFFIC)

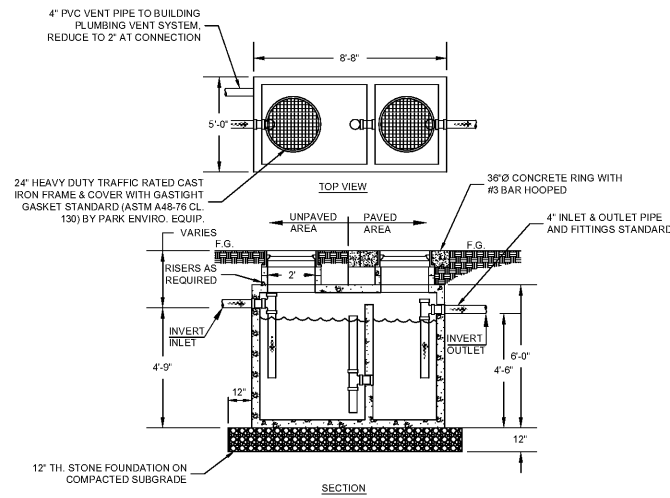
- NOTES:
1. EDGES ARE TO BE SAW CUT WITH A CONCRETE SAW TO A NEAT SQUARED EDGE, AND BRUSHED CLEAN OF DUST PRIOR TO APPLICATION OF TACK.
 2. PAVEMENT REPAIR DETAIL SHALL BE USED FOR ALL BITUMINOUS SURF TRENCH AND HOLES UNLESS OTHERWISE NOTED.

STANDARD DETAIL
CITY OF CAYCE
PERMANENT PAVEMENT REPAIR

WS1 SANITARY SEWER SERVICE CONNECTION AT MANHOLES

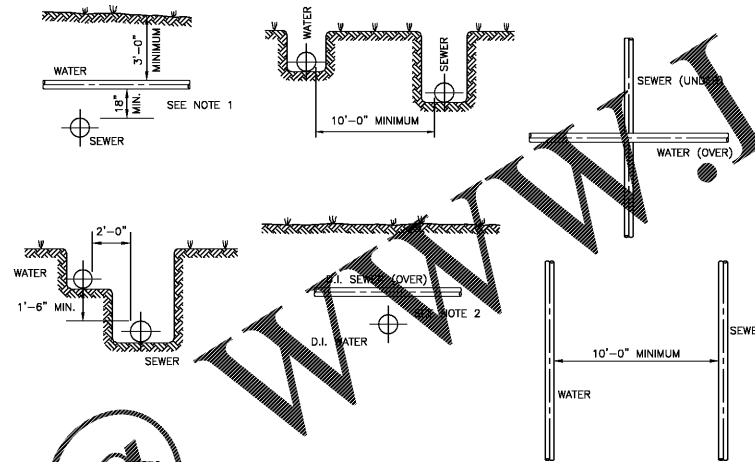
WS4 RED. PRESSURE BACKFLOW PREVENTER 2-1/2" AND SMALLER

WS7 SANITARY SEWER - PERMANENT PAVEMENT REPAIR



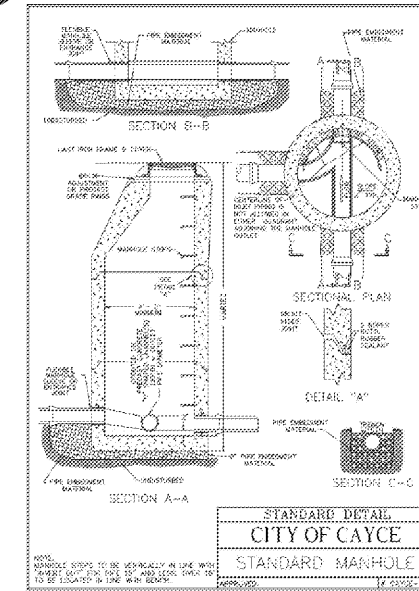
- NOTES:
1. CONCRETE SHALL BE 4500 PSI @ 28 DAYS. REINFORCEMENT SHALL BE GRADE 60 CONFORMING TO ASTM A615
 2. GREASE INTERCEPTOR SHALL BE MODEL G1-1000 AS PROVIDED BY PARK ENVIRONMENTAL EQUIPMENT (1-888-611-7275) OR APPROVED EQUAL.
 3. AFTER FINAL INSPECTION AND PRIOR TO STORE OPENING, GC TO FILL GREASE TRAP WITH WATER.

WS2 1,000 GAL. GREASE INTERCEPTOR



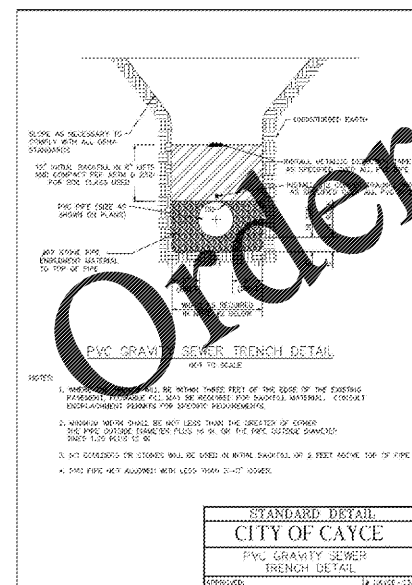
- NOTES:
1. WHEN WATER MAIN IS ABOVE SEWER, BUT LESS THAN 18" CLEAR, WATER & SEWER MAINS SHALL BE CONSTRUCTED OF DUCTILE IRON PIPE WITH MECHANICAL JOINT FOR A LATERAL CHANGE MEASURED AT RIGHT ANGLES TO THE SEWER OR AT LEAST 10 FEET ON EACH SIDE OF SEWER.
 2. WHEN WATER IS LAID UNDER SEWER, BOTH WATER AND SEWER PIPE SHALL BE CONSTRUCTED OF DUCTILE IRON PIPE WITH MECHANICAL JOINT.

WS4 TYPICAL PIPE CROSSING AND PARALLELS



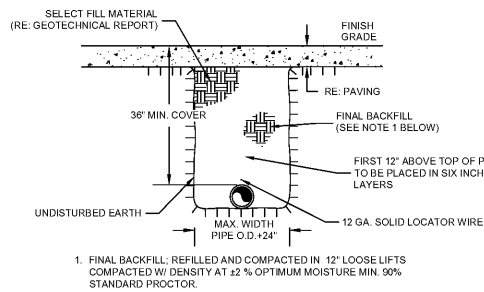
STANDARD DETAIL
CITY OF CAYCE
STANDARD MANHOLE

WS8 SEWER MANHOLE



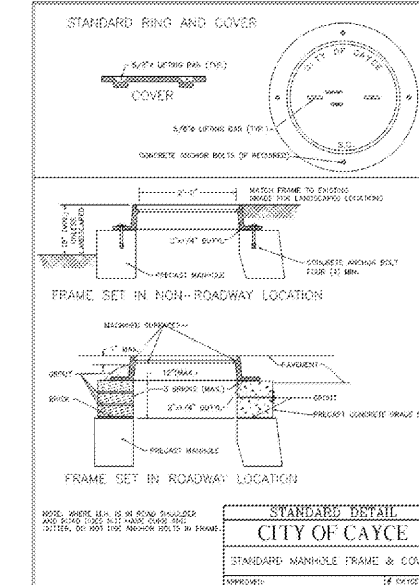
STANDARD DETAIL
CITY OF CAYCE
PVC GRAVITY SEWER
TRENCH DETAIL

WS3 PVC GRAVITY SEWER TRENCH DETAIL



1. FINAL BACKFILL, REFILED AND COMPACTED IN 12" LOOSE LIFTS COMPACTED W/ DENSITY AT ± 2% OPTIMUM MOISTURE MIN. 90% STANDARD PROCTOR.

WS6 WATER/ELECTRICAL/TELEPHONE TYP. TRENCH DETAIL



STANDARD DETAIL
CITY OF CAYCE
STANDARD MANHOLE FRAME & COVER

WS9 SEWER MANHOLE FRAME & COVER



Water & Sewer Details
Murphy Express
4404 Augusta Road
Keck & Wood Project No. 180167

Keck & Wood
COLLABORATION BY DESIGN
4325 Palmer Place Drive, Suite 210
North Charleston, SC 29405
(843) 278-8800

MURPHY OIL USA, INC.
200 PEACH STREET
EL DORADO, AR 71730
MURPHY USA

Z:\muphy\081818\01-1\cayce\p1\1-1-18\DWG\Production\CAD\181818.dwg