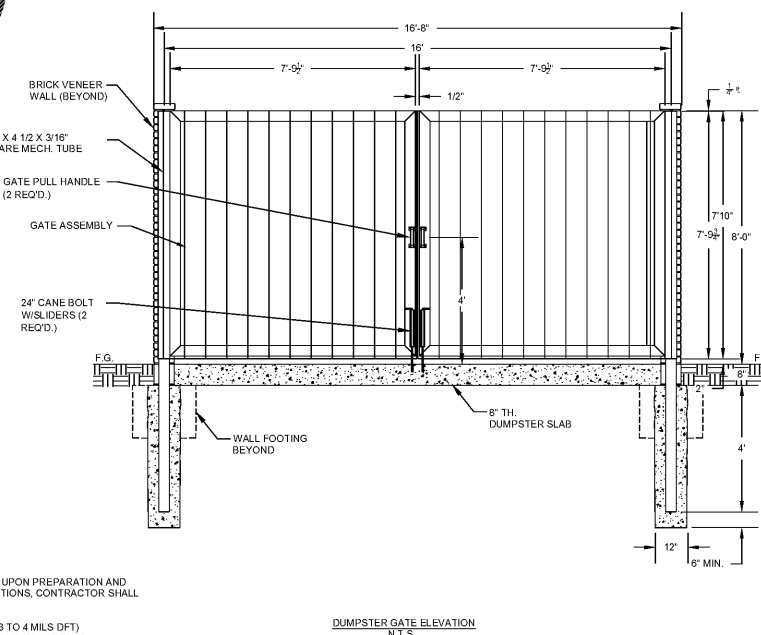
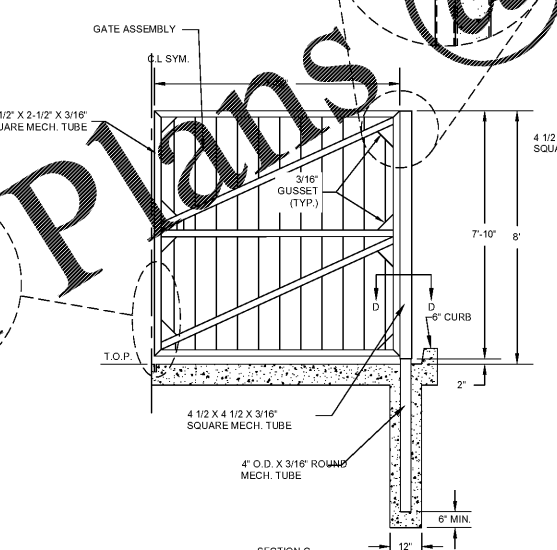
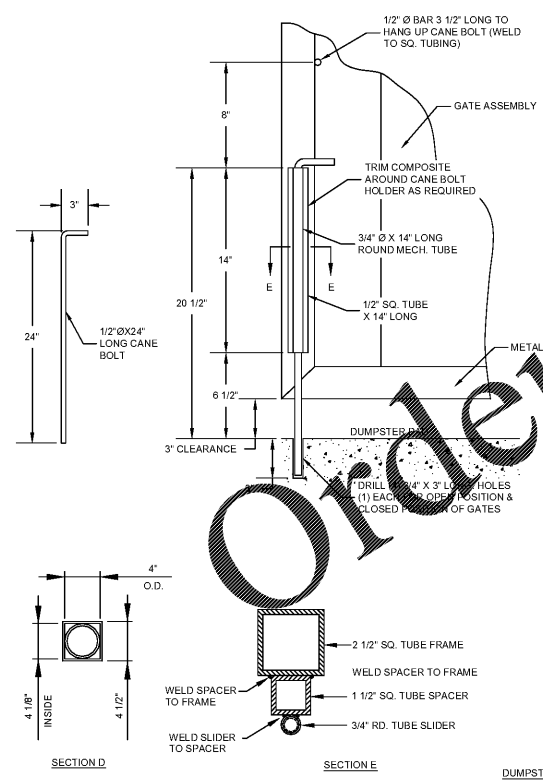
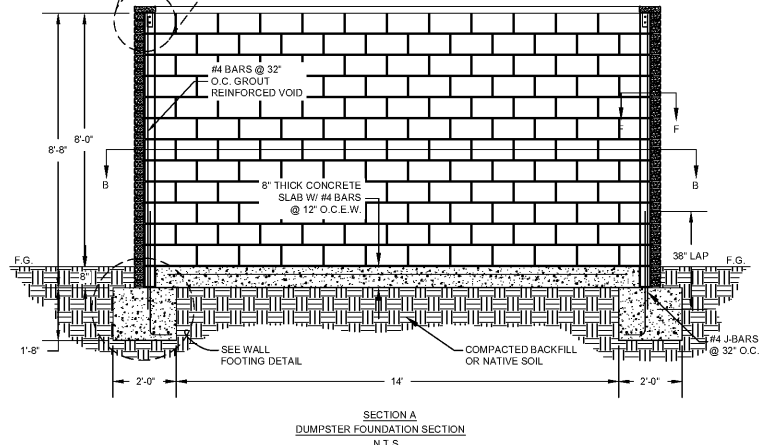
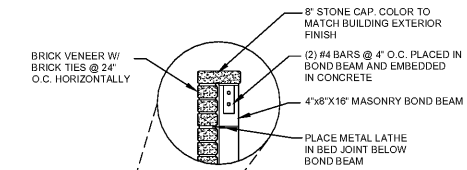


DUMPSTER TO BE:
 • 4" MASONRY BLOCK W/ MODULAR BRICK VENEER
 • ENDURAMAX PRE-BLENDED MORTAR (GROUT) COLOR "GRAY"
 • BRICK FINISH COLOR TO MATCH BUILDING EXTERIOR FINISH

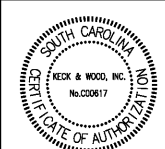


FINISH OF FRAMING (ALL EXPOSED METAL SURFACES) - UPON PREPARATION AND CLEANING PER PAINT MANUFACTURER'S RECOMMENDATIONS, CONTRACTOR SHALL UTILIZE THE FOLLOWING COATINGS:
 1. PRIMER COAT - CPS-26 ZINC CHROMATE PRIMER (3 TO 4 MILS DFT)
 2. FINISH COAT - 100 SERIES INDUSTRIAL ALKYD ENAMEL W/ HARDNER ADDITIVE (3 TO 5 MILS DFT) - COLOR - BLACK

BRICK FACADE DUMPSTER ENCLOSURE (COMPOSITE GATES)
N.T.S.

Sheet No.

C-16



CG	DRW
CG	DES
GS	PM
MM	PRN
08/05/20	DATE
REV-5	

Dumpster Details
 Murphy Express
 4404 Augusta Road
 Keck & Wood Project No. 180167

Keck & Wood
 COLLABORATION BY DESIGN
 4325 Parker Place Drive, Suite 210
 North Charleston, SC 29405
 (843) 278-8600
 keckandwood.com

MURPHY OIL USA, INC.
 200 PEACH STREET
 EL DORADO, AR 71730
MURPHY USA