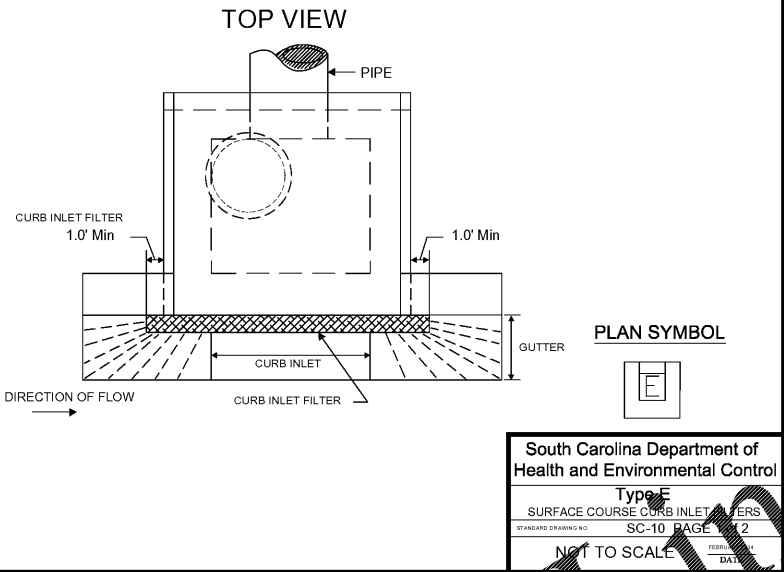
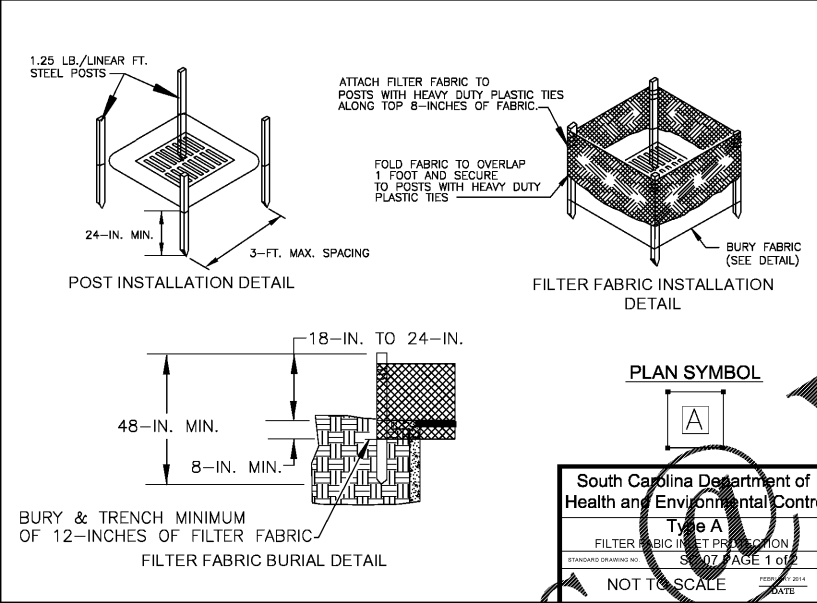


Permanent Seeding - Upstate

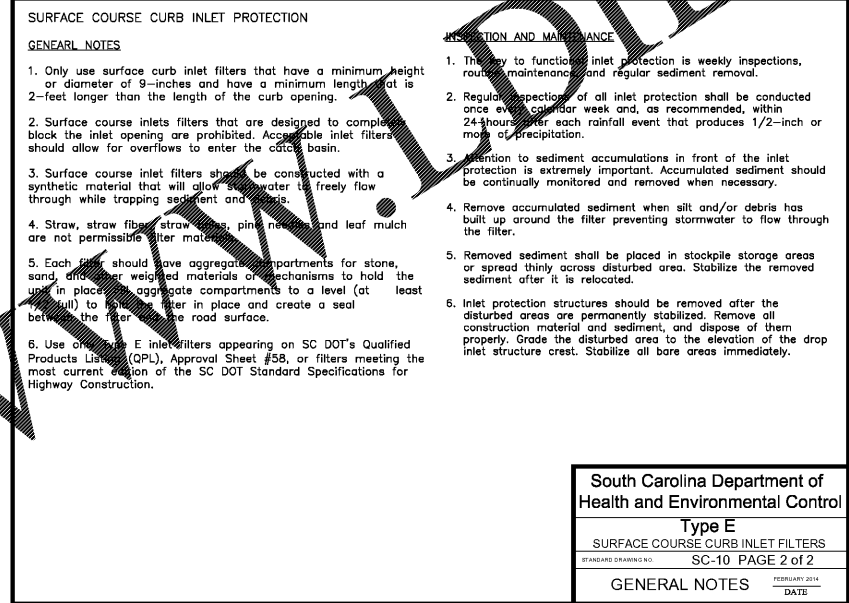
Species	Lbs/Ac	Jan	Feb	Mar	Apr	May	Jun	Jul	Aug	Sep	Oct	Nov	Dec
Bahia Grass (Alone)	40												
Bahia Grass (Mix)	30												
Bermuda Grass (hulled) (Alone)	8-12												
Bermuda Grass (hulled) (Mix)	4-6												
Fescue, Tall (KY31) (Alone)	40												
Fescue, Tall (KY31) (Mix)	20												
Secura Lespedeza (Scarified) (Alone or Mix (inoculate with EL Inoculant)	40												
Ladino Clover (mix only) Inoculate with AB Inoculant	2												
For Steep Slopes/Cut Slopes													
Weeping Lovegrass (Alone)	4												
Weeping Lovegrass (Mix)	2												
Crownvetch (mix only) Inoculate with Type M Inoculant	8-10												



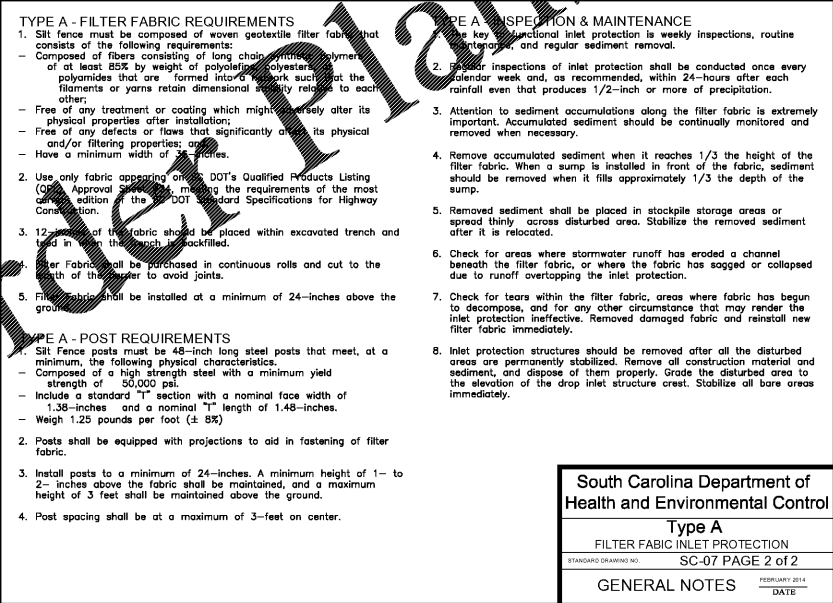
EC10 PERMANENT SEEDING SCHEDULE



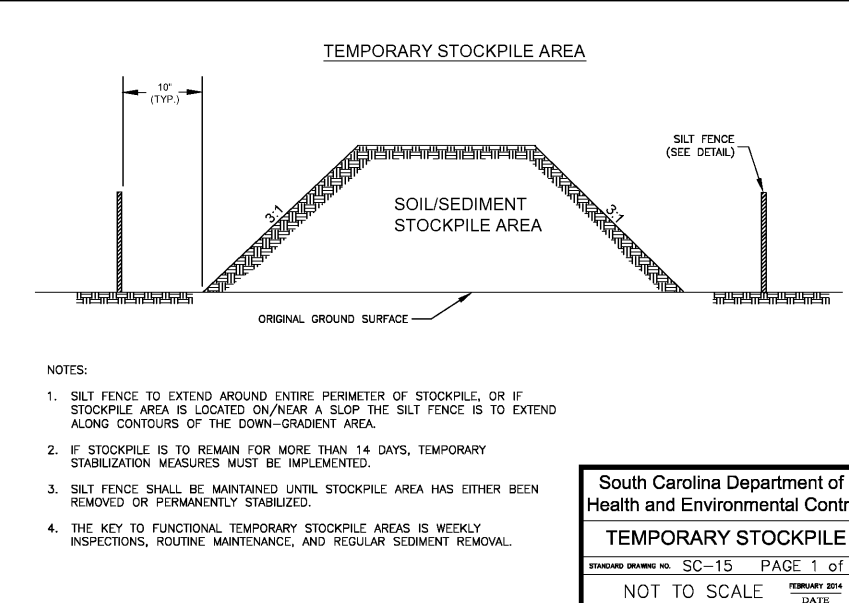
EC13 CURB INLET PROTECTION 1 OF 2



EC11 FILTER FABRIC INLET PROTECTION 1 OF 2



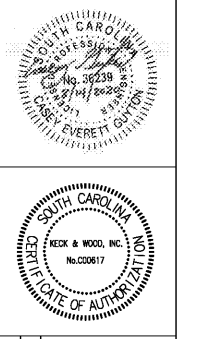
EC14 CURB INLET PROTECTION 2 OF 2



EC12 FILTER FABRIC INLET PROTECTION 2 OF 2

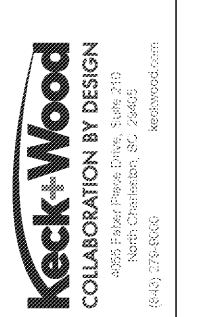
EC15 SOIL STOCKPILE DETAIL

Sheet No. C-10



CG CG CG GS MM DB/CS20 REV-5
DRW DES PM PRN DATE

Erosion Control Details
Murphy Express
4404 Augusta Road
Keck & Wood Project No. 180167



MURPHY OIL USA, INC.

MURPHY USA

200 PEACH STREET
EL DORADO, AR 71730