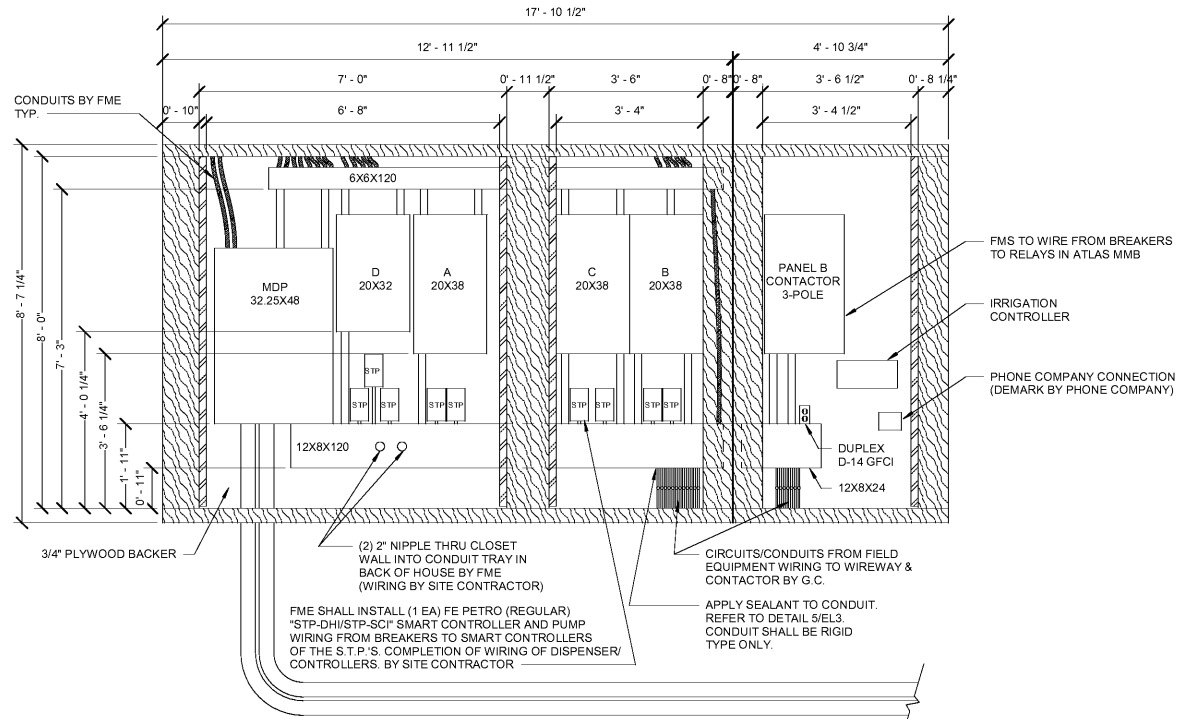


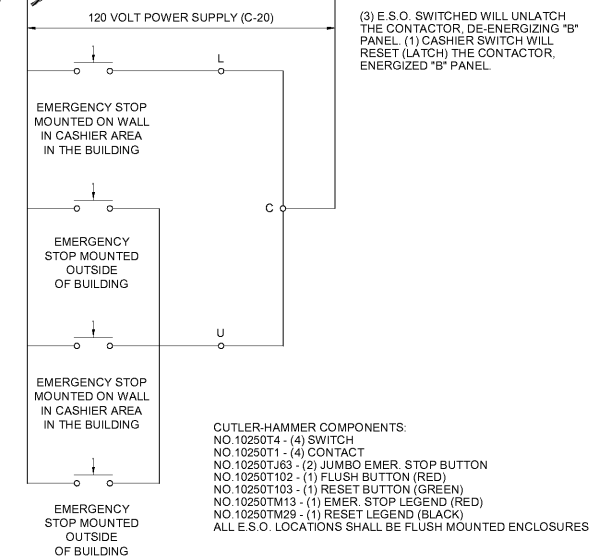
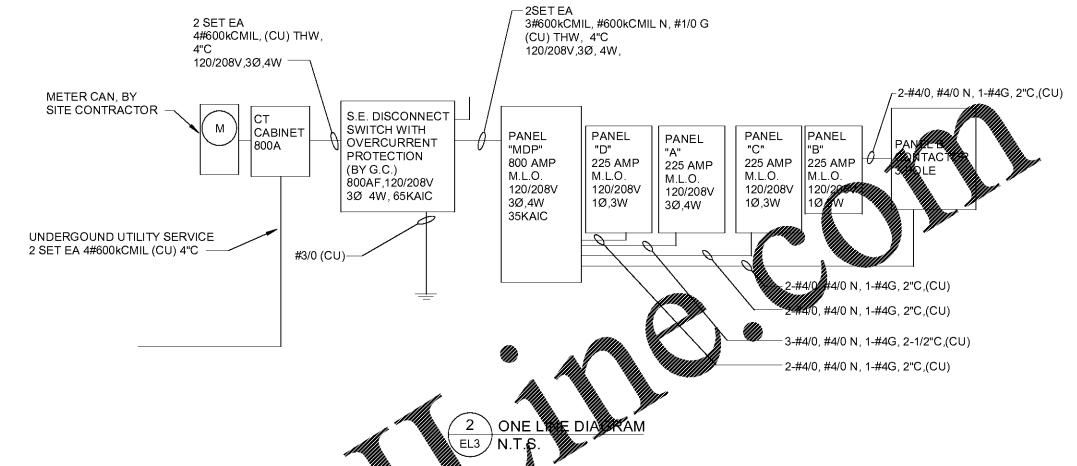
COPYRIGHT NOTICE
This drawing is the property of the above referenced Professional and is not to be used for any purpose other than the specific project and site named herein, and cannot be reproduced in any manner without the express written permission from the Professional.

ISSUE RECORD		
DATE	REV. DESCRIPTION	PRINT SUBMISSION SET
08/20/2020	1	OUT TO BID SET

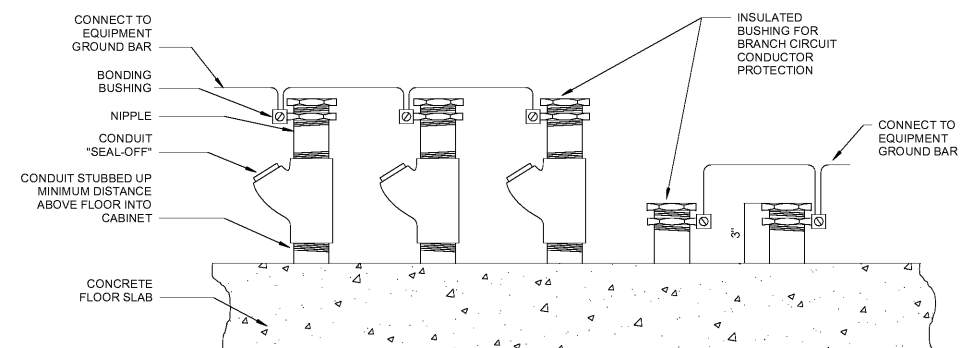


NOTES:
1. ALL METAL RACEWAYS, THE METAL ARMOR OR METALLIC SHEATH ON CABLES, AND ALL NON-CURRENT CARRYING METAL PARTS OF FIXED AND PORTABLE ELECTRICAL EQUIPMENT, REGARDLESS OF VOLTAGE, SHALL BE BONDED AND GROUNDED. GROUNDING AND BONDING IN CLASS 1 LOCATIONS SHALL COMPLY WITH NEC 501.30.
2. FME TO WIRE BREAKERS TO RELAYS IN ATLAS MMB.

1 ELECTRICAL PANEL ELEVATION
EL3 N.T.S.

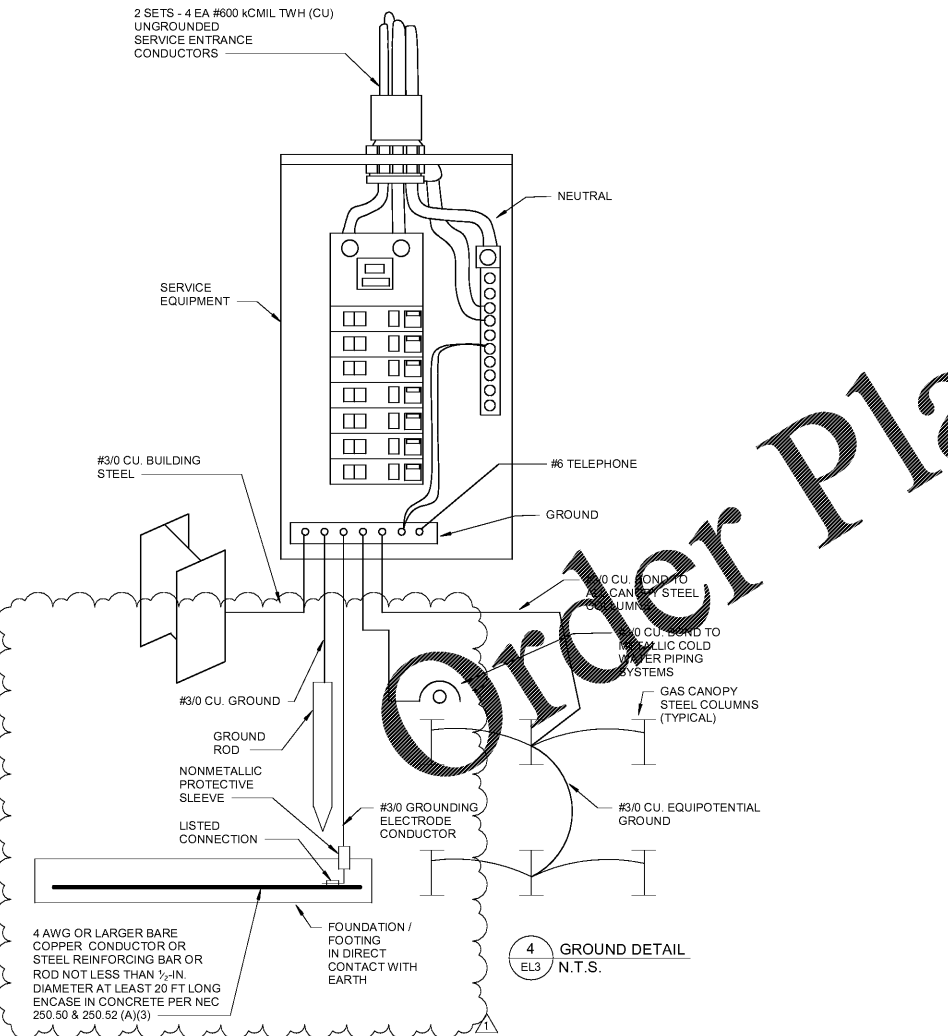


3 EMERGENCY SHUT-DOWN CIRCUITRY
EL3 N.T.S.

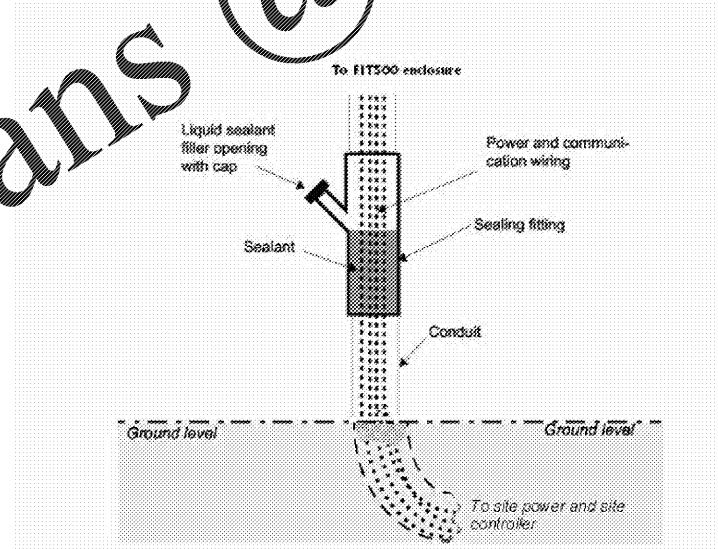


NOTES:
1. THIS DETAIL IS DIAGRAMMATIC. THE UNDERGROUND CONDUITS SHOWN REPRESENT TYPICAL INSTALLATION METHODS.
2. "SEAL-OFF" DETAILS APPLY TO ALL DISPENSER/PUMP/CANOPY CONDUITS ORIGINATING FROM HAZARDOUS AREAS.

6 ELECTRICAL BONDING
EL3 N.T.S.



4 GROUND DETAIL
EL3 N.T.S.



NOTES:
1. CONDUITS INSIDE HAZARDOUS AREA MUST HAVE A SEAL-OFF INSTALLED AT LEAST 18" ABOVE FINISHED GROUND TO PREVENT LIQUIDS OR FUMES FROM ENTERING THE AREA.
2. CONDUITS OUTSIDE HAZARDOUS AREA MUST HAVE SEAL-OFF AT LEAST 10" ABOVE FINISHED GROUND TO PREVENT LIQUIDS OR FUMES FROM ENTERING THE AREA.

5 CONDUIT SEAL-OFF DETAIL
EL3 N.T.S.

S:\Users\mwh\OneDrive\Documents\2018\1025\Murphy Oil Convenience Store - 1430 West Peachtree, NW.dwg (Rev. 1) 8/20/20 08/20 08/20/2020 08/20/2020



PROFESSIONAL SEAL



08/07/2020

PROFESSIONAL IN CHARGE
FLOYD KEELS

PROJECT MANAGER
ERIC WONG

QUALITY CONTROL
FRANK TROWBRIDGE

DRAWN BY
MUSTAPHA CESSAY

PROJECT NAME



**MURPHY OIL
CONVENIENCE
STORE**

NW CORNER HWY 1 &
OAK DRIVE, LEXINGTON
SOUTH CAROLINA 29073



1801 Rockdale Industrial Blvd.
Conyers, Georgia 30012
Voice: (800) 366-6385
Fax: (770) 483-6037

PERS. JOB NUMBER
G20ML00005

FMS MODEL NUMBER
XXXXXX

PROJECT NUMBER
20181975.5

SHEET TITLE

**ELECTRICAL
DETAILS**

SHEET NUMBER

EL3

PROTO V2.0 11/01/2019