

**GOVERNMENT NOTICE**  
This drawing is the property of the above referenced Professional and is not to be used for any purpose other than the specific project and site named herein, and cannot be reproduced in any manner without the express written permission from the Professional.

**ISSUE RECORD**

DATE	REV.	DESCRIPTION
05/20/2020	1	PERMIT SUBMISSION SET
08/07/2020	1	OUT TO BID SET

**PROFESSIONAL SEAL**  
GREENBERG FARROW ARCHITECTURE INCORPORATED No. C01494

**PROFESSIONAL SEAL**  
ERIC WONG No. 36533

**PROFESSIONAL IN CHARGE**  
ROBERT BLAKE SMITH

**PROJECT MANAGER**  
ERIC WONG

**QUALITY CONTROL**  
ERIC WONG

**DRAWN BY**  
AVERY LANE

**PROJECT NAME**  
MURPHY OIL CONVENIENCE STORE

NW CORNER HWY 1 & OAK DRIVE, LEXINGTON SOUTH CAROLINA 29073

1801 Rockdale Industrial Blvd. Conyers, Georgia 30012  
Voice: (800) 368-6385  
Fax: (770) 483-6037

PROJ. JOB NUMBER: G20M00051  
FMS MODEL NUMBER: XXXXXX

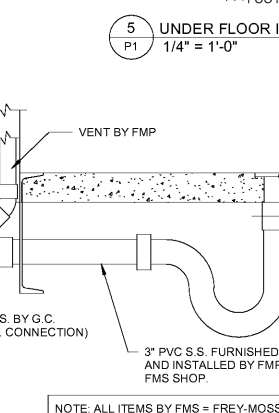
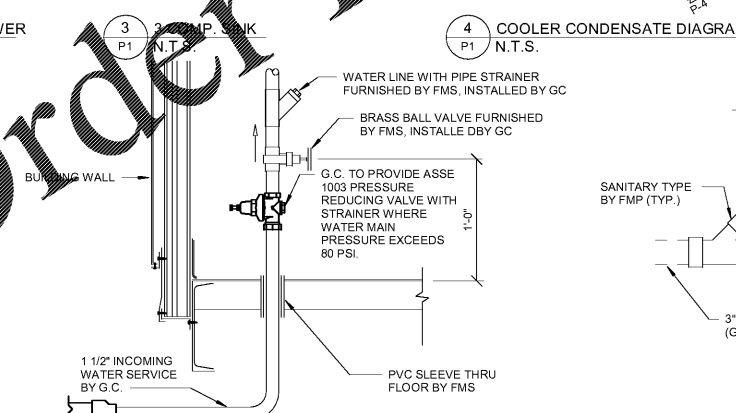
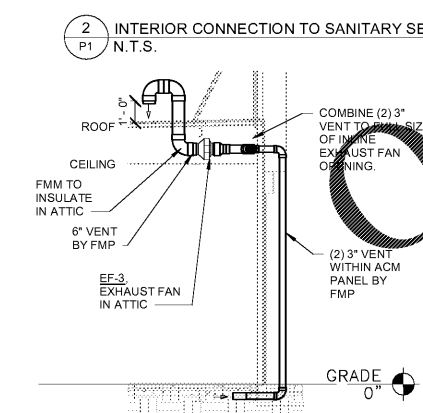
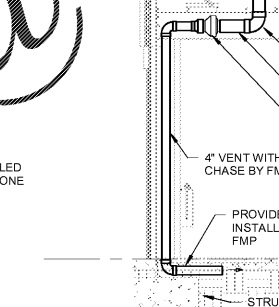
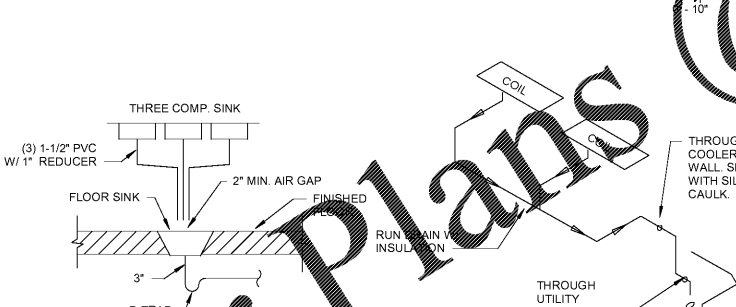
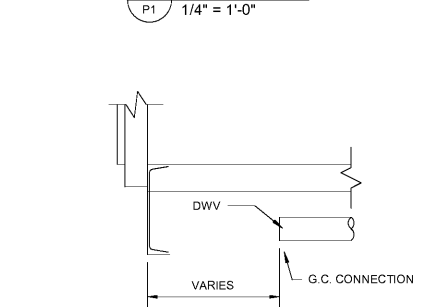
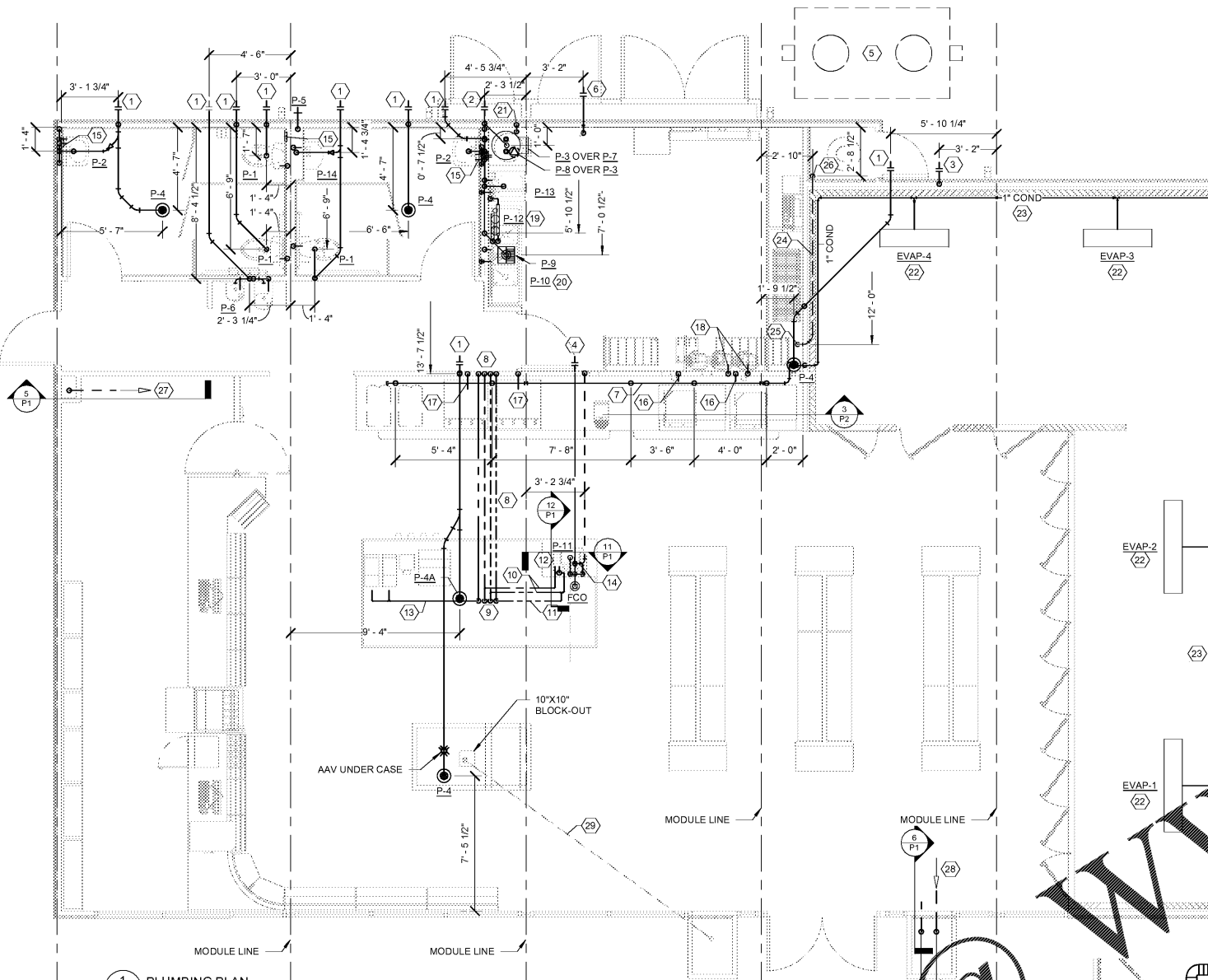
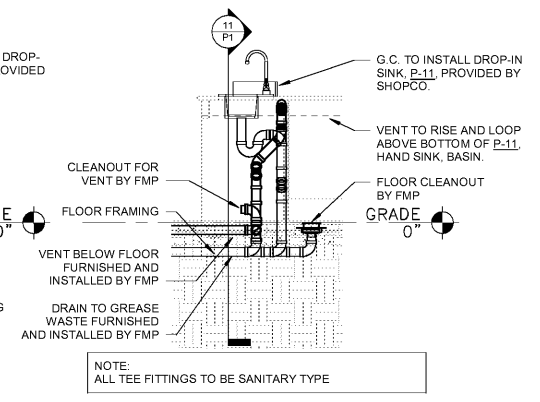
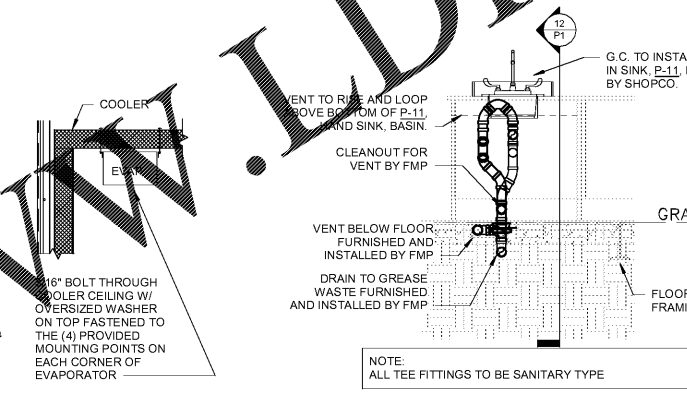
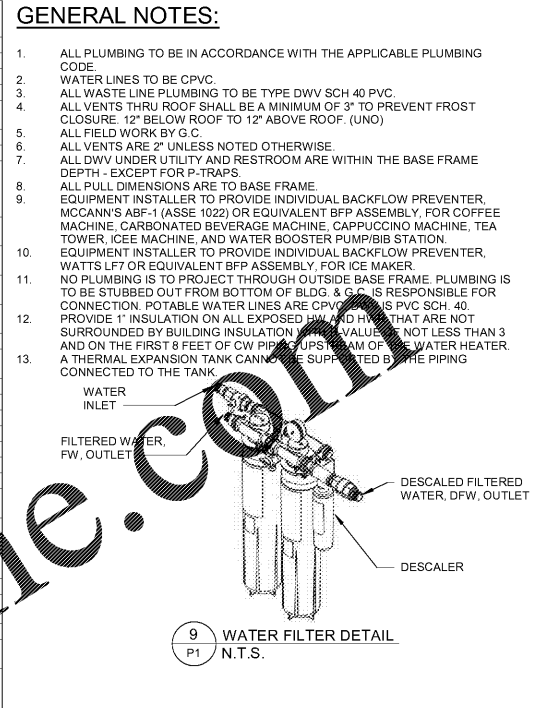
**PROJECT NUMBER**  
20181975.5

**SHEET TITLE**  
PLUMBING PLAN

**SHEET NUMBER**  
P1

PROTO V2.0 11/01/2019

NO.	DESCRIPTION
1	G.C. CONNECTION TO SANITARY SEWER. REFER TO DETAIL 8/P1 OR 2/P1.
2	G.C. CONNECTION TO GREASE WASTE. REFER TO DETAIL 8/P1.
3	G.C. CONNECTION TO GREASE INTERCEPTOR VENT. REFER TO CIVIL DRAWINGS FOR CONTINUATION.
4	G.C. SHALL MAKE CONNECTION BELOW SLAB TO VENT IN WALL FROM ISLAND SINK. REFER TO RISER ON P2 FOR ADDITIONAL INFORMATION.
5	GREASE INTERCEPTOR. REFER TO CIVIL UTILITY DRAWING FOR EXACT LOCATION.
6	1-1/2" INCOMING WATER LINE. REFER TO DETAIL 7/P1.
7	2" DRAIN MANIFOLD FOR BEVERAGE STATION. PROVIDE 2" AIR GAP FOR ALL EQUIPMENT DISCHARGE TO MANIFOLD. REDUCERS SHALL BE 6" TO 2" PVC REDUCER. TOP OF REDUCERS SHALL BE MANIFOLD SHALL DISCHARGE TO P-4 THROUGH 2" AIR GAP. G.C. RESPONSIBLE FOR FIELD CONNECTION AT MODULE LINE. REFER TO DETAIL 3/P2.
8	FMS TO ROUTE INSULATED 1/2" CW, HW, HWR, AND DFW PIPING DOWN IN WALL THROUGH SLAB, THEN HORIZONTAL UNDER FLOOR THROUGH STEEL.
9	FMS TO STUB UP INSULATED 1/2" HW, HW, HWR, AND DFW PIPING THRU FLOOR AND CAP ABOVE FLOOR FOR CONNECTION BY G.C.
10	G.C. SHALL EXTEND 1/2" CW & HW TO MIXING VALVE WITHIN MILLWORK. INSTALL MIXING VALVE IN ACCESSIBLE LOCATION WITHIN MILLWORK.
11	G.C. SHALL EXTEND 1/2" HWR WITHIN MILLWORK AND CONNECT TO 1/2" HW UPSTREAM OF MIXING VALVE. WITHIN 12" OF MIXING VALVE.
12	G.C. SHALL ROUTE 1/2" CW & TW FROM MIXING VALVE TO HANDSINK, P-11.
13	G.C. SHALL EXTEND 1/2" DFW FOR COFFEE MACHINES IN MILLWORK. PROVIDE (2X) 3/8" STUBS WITH 1/4-TURN BALL VALVES.
14	ISLAND VENT FOR HANDSINK, P-11. REFER TO DETAIL 12/P1 AND 13/P1.
15	FMS SHALL PROVIDE 6"x8" ACCESS PANEL FOR MIXING VALVES AND HOSE BIBBS.
16	INSTALL FILTERED WATER STUBS FOR ICE MACHINES AT 72" AFF.
17	INSTALL FILTERED WATER STUBS FOR ICEE MACHINES AT 21" AFF.
18	INSTALL FILTERED WATER STUBS FOR BOOSTER PUMPS AT 96" AFF.
19	REFER TO DETAIL 9/P1 FOR WATER FILTER INSTALLATION.
20	REFER TO DETAIL 3/P1 FOR 3-COMPARTMENT SINK INDIRECT WASTE PIPING INSTALLATION.
21	ROUTE 1" CONDENSATE FROM RTUS DOWN THRU ROOF INTO WALL. CONDENSATE SHALL STUB THRU WALL AND DISCHARGE TO MOP SINK, P-7, THROUGH AIR GAP.
22	REFER TO DETAIL 10/P1 FOR EVAPORATOR PIPING.
23	REFER TO DETAIL 4/P1 FOR CONDENSATE PIPING INSTALLATION.
24	2" PVC CHASE FOR CO2 BY FMS TO STUB OUT OF BASE FRAME SO THAT CO2 VENDOR CAN MAKE FINAL CONNECTION.
25	FMS TO STUB UP 2" PVC FOR CO2 2" AFF.
26	FMS TO STUB UP 2" PVC IN CO2 CLOSET SO THAT THE PVC CAN BE TRIMMED BACK BY G.C. AFTER THE CONCRETE PAD IS SET.
27	UNDER FLOOR VENTILATION INTAKE. REFER TO DETAIL 5/P1.
28	UNDER FLOOR VENTILATION EXHAUST. REFER TO DETAIL 6/P1. MAINTAIN 1" SPACING BETWEEN CENTERLINES OF HOLES. REFER TO DETAIL G/F2.
29	G.C. SHALL INSTALL 6" PVC CHASE FOR SANDWICH HANDSINK, REFRIGERATION LINES. INSTALL REFRIGERATION LINES, AND MAKE CONNECTIONS TO CONDENSER AND SANDWICH MERCHANDISER. PVC SHALL STUB UP THRU 10"x10" BLOCK-OUT.



ITEM #	FIXTURE	HW	CW	DRAIN	DESCRIPTION AND REMARKS (OR EQUAL)	FURNISH	INSTALL
P-1	WATER CLOSET - ADA	-	1/2"	3"	WATER CLOSET - ZURN #Z-6555-1.28 GPF ELONGATED BOWL, TANK AND LOCKING LID - ZURN #Z5539/45/55TNKINVL, OPEN SEAT - BENEKE 523 SS.	FMP	FMP
P-2	LAVATORY - ADA	1/2"	1/2"	1-1/4"	LAVATORY - ZURN #Z5350 19" x 17" VITREOUS CHINA WALL MOUNTED W/ NO BACK-SPLASH FAUCET - ZURN #Z-6915XL-FS - SENSOR ACTIVATED, CENTERSET ON DRAIN W/ 0.5 GPM AERATOR W/ ASSE 1070 APPROVED MIXING VALVE - SLOAN #MIX-135-A.	FMP	FMP
P-3	WATER HEATER	-	3/4"	-	RHEEM #E20A-12-G 20 GALLON, 208V SINGLE PHASE, 12000 WATTS WITH WATTS #PLT-5, 2.1 GALLON EXPANSION TANK, 98% MAXIMUM RECOVERY EFFICIENCY.	FMP	FMP
P-4	FLOOR DRAIN	-	-	3"	WADE #1103-STD5-NH-6 3" FLOOR DRAIN W/ TRAP SEAL BY PROSET SYSTEMS TRAPGUARD #TG33IP WITH FUNNEL EXCEPT IN RESTROOMS.	FMP	FMP
P-4A	FLOOR DRAIN	-	-	3"	WADE #1103-STD5-NH-6 3" FLOOR DRAIN. PROVIDE AND INSTALL FLOOR DRAIN WITH TEMPORARY DRAIN PLUG, CHERNE PIPE GRIPPER, OR EQUAL. PROVIDE SURE SEAL TRAP SEAL, OR EQUAL, FOR FUTURE USE.	FMP	FMP
P-5	HOSE BIBB	-	1/2"	-	WOODFORD MODEL 30 FREEZELESS, AUTOMATIC DRAINING WALL FAUCET WITH ASSE 1052 DUAL CHECK BACKFLOW PREVENTER.	FMP	FMP
P-6	DRINKING FOUNTAIN	-	1/2"	1-1/4"	HALSEY TAYLOR MODEL #H7SEBP, BI-LEVEL.	FMP	FMP
P-7	SERVICE MOP SINK	1/2"	1/2"	3"	FIAT #MSB2424 FLOOR MOUNTED MOP SINK 24"x24"x10" W/ FIAT #630AA SERVICE SINK FAUCET @ 36" AFF, OR EQUAL (DRAIN TO GREASE TRAP).	FMP	FMP
P-8	RECIRCULATION PUMP	3/4"	-	-	TACO MODEL 007 CARTRIDGE CIRCULATOR, 115/160, 0.74 AMPS, 3250 RPM, 1/25 HP.	FMP	FMP
P-9	FLOOR SINK	-	-	3"	PVC FLOOR SINK W/ HALF GRATE TRAP SEAL BY PROSET SYSTEMS TRAPGUARD #TG33IP (DRAIN TO GREASE TRAP).	FMP	FMP
P-10	3-COMPARTMENT SINK	3/4"	3/4"	3" (3)	ELKAY SSP - #3C10X14-2-16X, 66" GREENWORLD W/ ZURN, #Z800X0-AF-PR1, PRE-RINSE HOSE ASSEMBLY.	FMP	FMP
P-11	HAND SINK	1/2"	1/2"	1-1/2"	ADVANCED TABCO D1-1-35 DROP-IN SINK WITH ASSE 1070 APPROVED MIXING VALVE - SLOAN #MIX-135-A (DRAIN TO GREASE TRAP).	SHOPCO	G.C.
P-12	WATER FILTER	-	3/4"	-	3M WATER FILTRATION SYSTEM AQUAPURE DP290.	FMP	FMP
P-13	HAND SINK	1/2"	1/2"	1-1/2"	ADVANCE TABCO MODEL #7-PS-75 W/ SPLASH MOUNT GOOSENECK FAUCET MODEL K-132, BASKET TYPE DRAIN.	FMP	FMP
P-14	URINAL	-	3/4"	2"	ZURN OMNI-FLO URINAL MODEL #Z5755-U, ADA DESIGNED WITH ZURN LOW FLOW FLUSH VALVE (0.5 GPF) MODEL #ZTR6203-EWS-LL, POWERED BY 4 "AA" LONG LIFE BATTERIES.	FMP	FMP

Order Plans @ WWW.LDOnline.com

S:\Users\mhammond\Documents\20181975.5 Lexington Hwy 1 & Oak Dr 31.dwg 2/20/2020 9:52:38 AM