

COPYRIGHT NOTICE
This drawing is the property of the above referenced Professional and is not to be used for any purpose other than the specific project and site named herein, and cannot be reproduced in any manner, without the express written permission from the Professional.

ISSUE RECORD	
DATE	REV. DESCRIPTION
05/20/2020	PERMIT SUBMISSION SET
08/07/2020	1 OUT TO BID SET

PROFESSIONAL SEAL



PROFESSIONAL IN CHARGE

K. NOLAN
PROJECT MANAGER
M. YOUNG
QUALITY CONTROL
B. McGLADE
DRAWN BY
D. HAHNEY

PROJECT NAME

MURPHY EXPRESS

MURPHY OIL CONVENIENCE STORE
NW CORNER HWY 1 & OAK DRIVE, LEXINGTON SOUTH CAROLINA 29073

FREY MOSS STRUCTURE

1801 Rockdale Industrial Blvd.
Cary, Georgia 30012
Voice: (800) 368-6385
Fax: (770) 483-6037
FMS JOB NUMBER: C23M100061
FMS MODEL NUMBER: XXXXXX

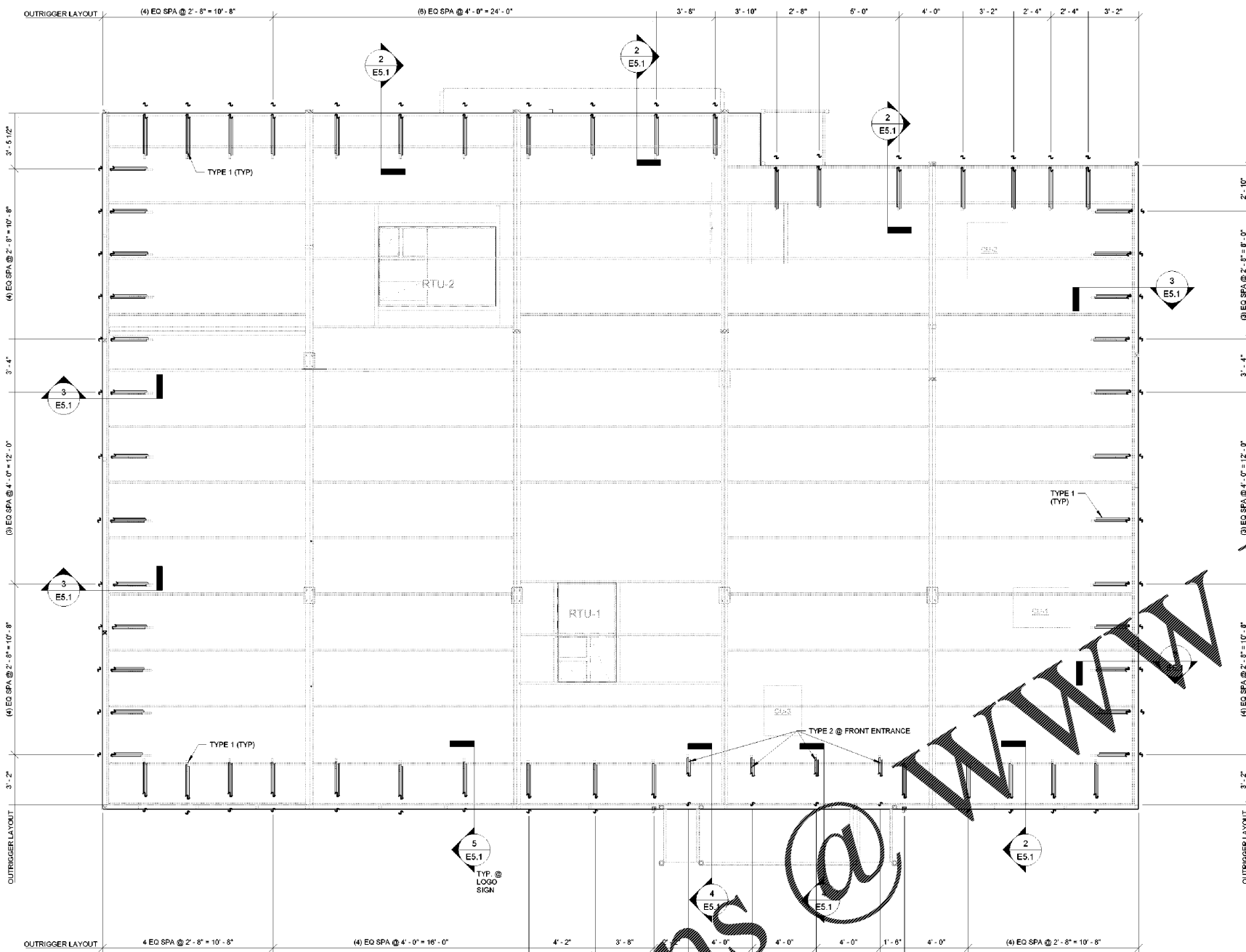
PROJECT NUMBER
20181975.5

SHEET TITLE

OUTRIGGER FRAMING PLAN

SHEET NUMBER

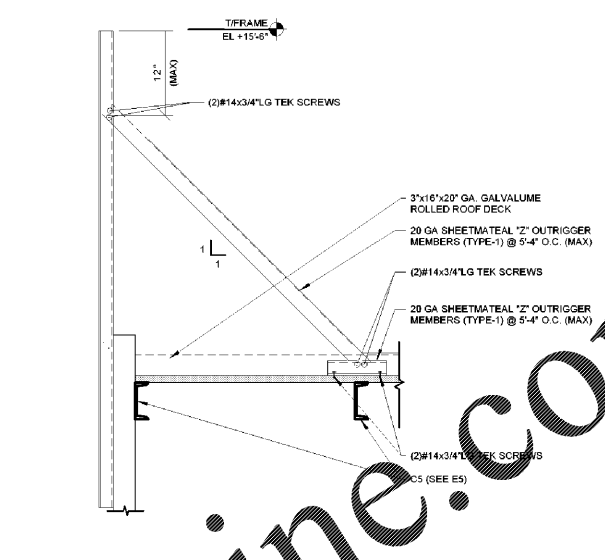
E5.1



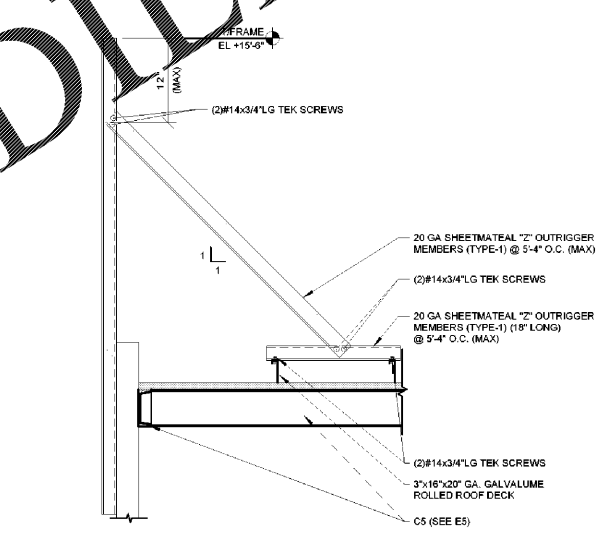
NOTE: ALL FULL DIMENSIONS ARE FROM FACE OF BLDG FRAME

FRAMING PLAN NOTES:
1. SEE SHEET S1 FOR STRUCTURAL GENERAL NOTES.
2. FOR ROOF DECK REQUIREMENTS, SEE SCHEDULE ON S1. (SEE E6-E10 FOR ADDL INFO)

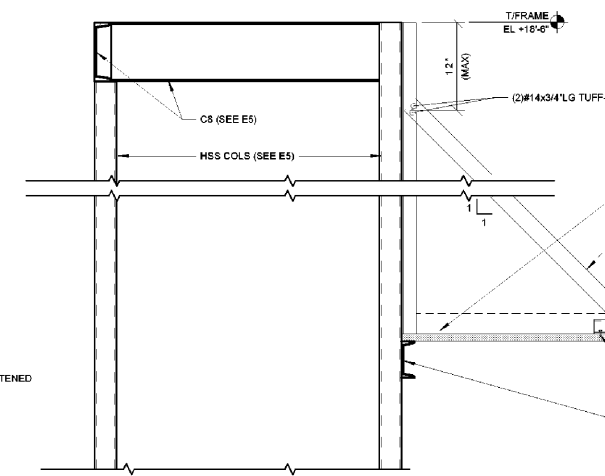
1 OUTRIGGER FRAMING PLAN
E5.1 1/4" = 1'-0"



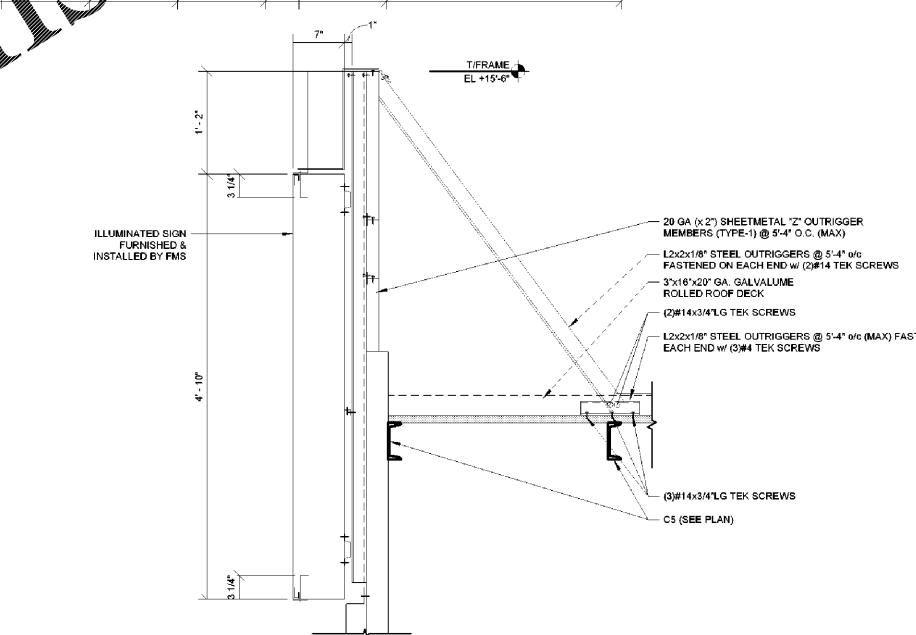
2 KICKER DETAIL TYPE-1
E5.1 1" = 1'-0"



3 KICKER DETAIL TYPE-1 @ DECK RIBS
E5.1 1" = 1'-0"



4 KICKER DETAIL TYPE-2
E5.1 1" = 1'-0"



5 KICKER DETAIL TYPE-1 @ LOGO SIGN
E5.1 1" = 1'-0"

Order Plans @ WWW.LDILine.com

BAKER, INGRAM, & ASSOCIATES
STRUCTURAL ENGINEERS
TWO WHITE HORSE PIKE HADDON HEIGHTS, NJ 08035
(856) 310-1491 fax: (856) 310-1829