

**COPYRIGHT NOTICE**  
This drawing is the property of the above referenced Professional and is not to be used for any purpose other than the specific project and site named herein, and cannot be reproduced in any manner, without the express written permission from the Professional.

ISSUE RECORD	
DATE	REV. DESCRIPTION
05/20/2020	PERMIT SUBMISSION SET
08/07/2020	1 OUT TO BID SET

**PROFESSIONAL SEAL**



**PROFESSIONAL IN CHARGE**

**K. NOLAN**  
**PROJECT MANAGER**  
M. YOUNG  
**QUALITY CONTROL**  
B. McGLADE  
**DRAWN BY**  
D. MAHONEY

**PROJECT NAME**

**MURPHY EXPRESS**

**MURPHY OIL CONVENIENCE STORE**  
NW CORNER HWY 1 & OAK DRIVE, LEXINGTON SOUTH CAROLINA 29073

**FREY MOSS STRUCTURE**

1801 Rockdale Industrial Blvd.  
Cary, Georgia 30012  
Voice: (800) 368-6385  
Fax: (770) 483-6037  
FMS JOB NUMBER: C23M100061  
FMS MODEL NUMBER: XXXXXX

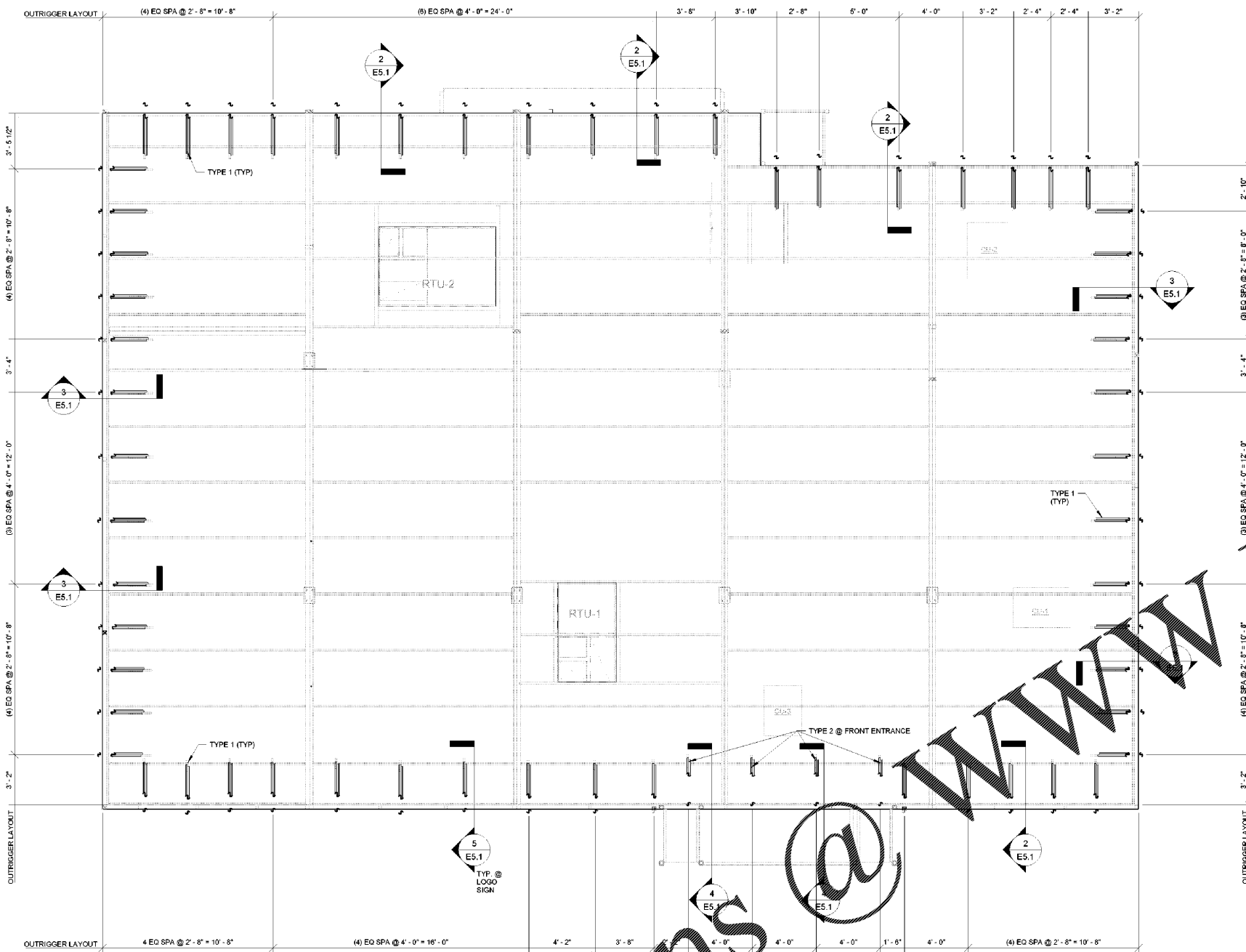
**PROJECT NUMBER**  
20181975.5

**SHEET TITLE**

**OUTRIGGER FRAMING PLAN**

**SHEET NUMBER**

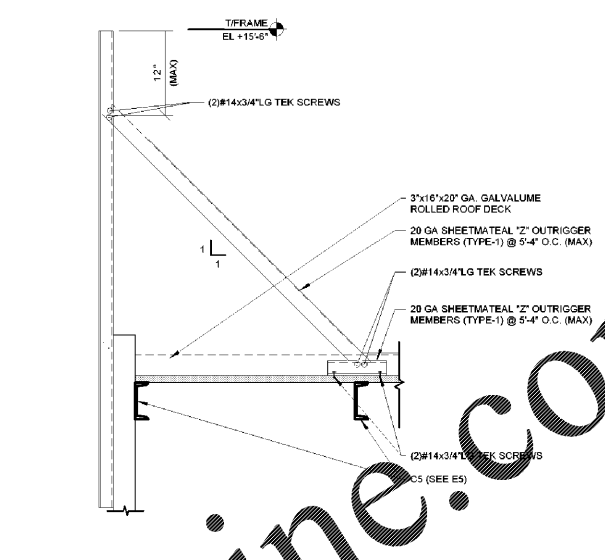
**E5.1**



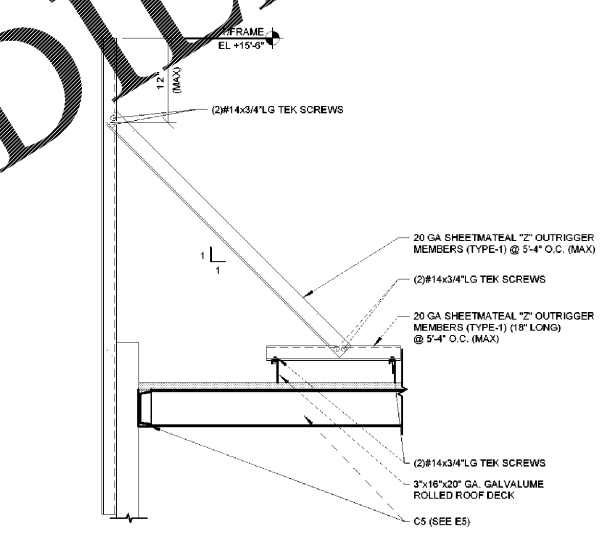
**NOTE: ALL FULL DIMENSIONS ARE FROM FACE OF BLDG FRAME**

**FRAMING PLAN NOTES:**  
1. SEE SHEET S1 FOR STRUCTURAL GENERAL NOTES.  
2. FOR ROOF DECK REQUIREMENTS, SEE SCHEDULE ON S1. (SEE E6-E10 FOR ADDL INFO)

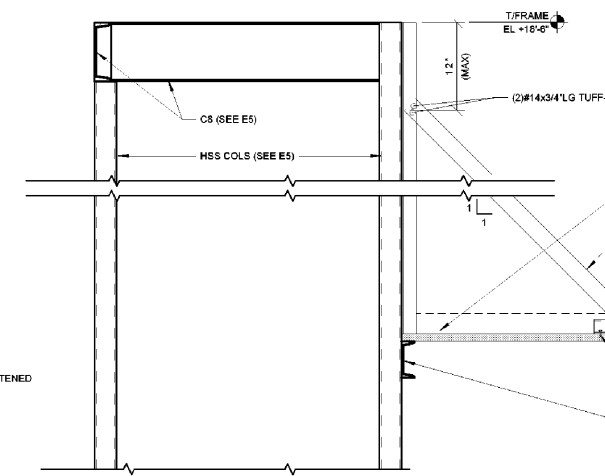
**1** OUTRIGGER FRAMING PLAN  
E5.1 1/4" = 1'-0"



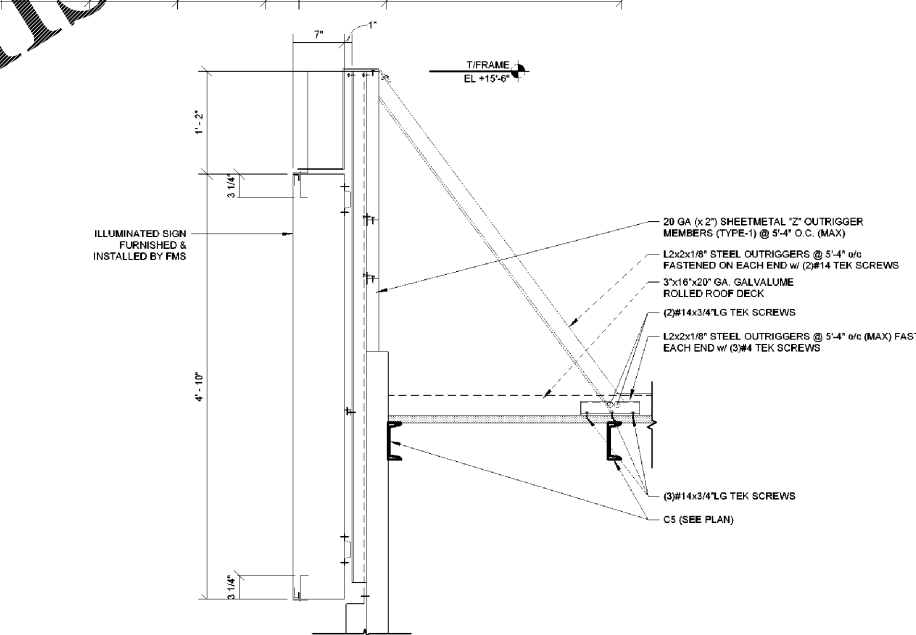
**2** KICKER DETAIL TYPE-1  
E5.1 1" = 1'-0"



**3** KICKER DETAIL TYPE-1 @ DECK RIBS  
E5.1 1" = 1'-0"



**4** KICKER DETAIL TYPE-2  
E5.1 1" = 1'-0"



**5** KICKER DETAIL TYPE-1 @ LOGO SIGN  
E5.1 1" = 1'-0"

Order Plans @ WWW.LDILine.com