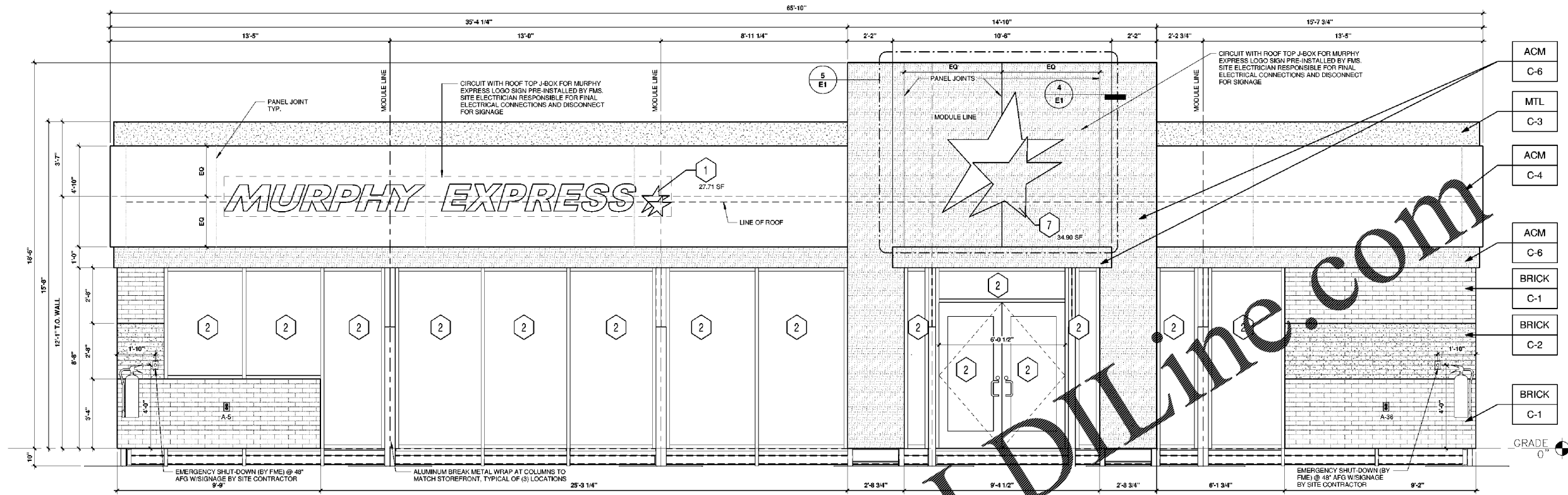


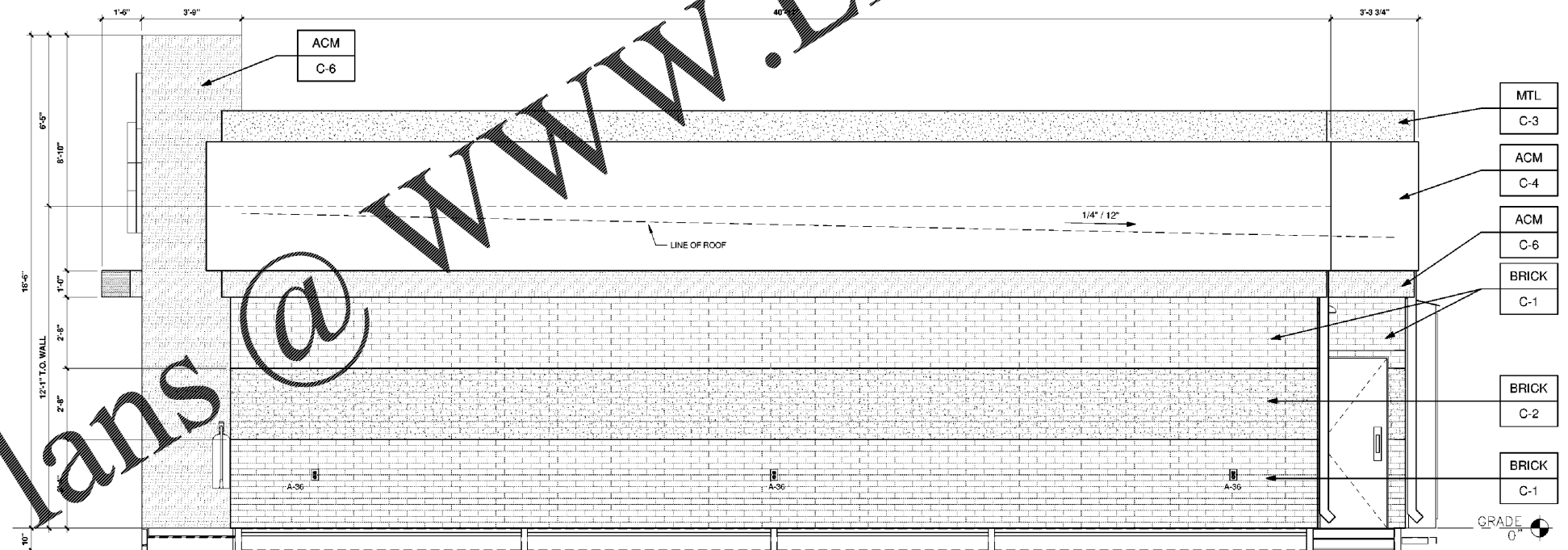
COPYRIGHT NOTICE
This drawing is the property of the above referenced Professional and is not to be used for any purpose other than the specific project and site named herein, and cannot be reproduced in any manner without the express written permission from the Professional.

ISSUE RECORD

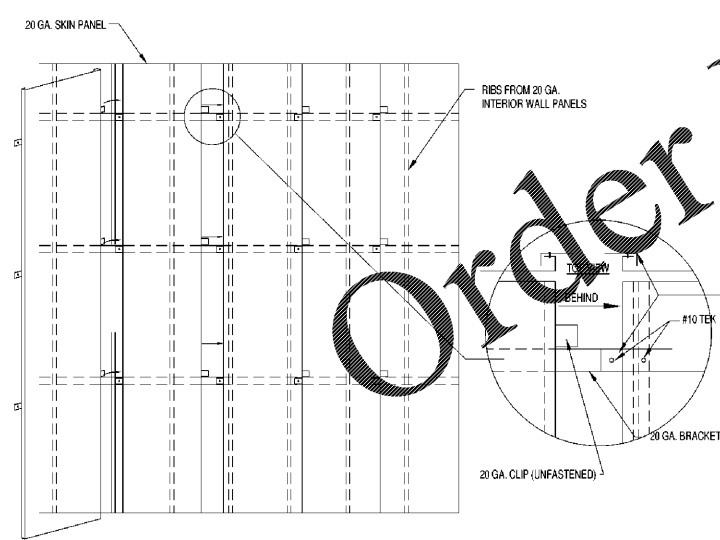
DATE	REV.	DESCRIPTION
05/20/2020		PERMIT SUBMISSION SET
06/07/2020	1	OUT TO BID SET



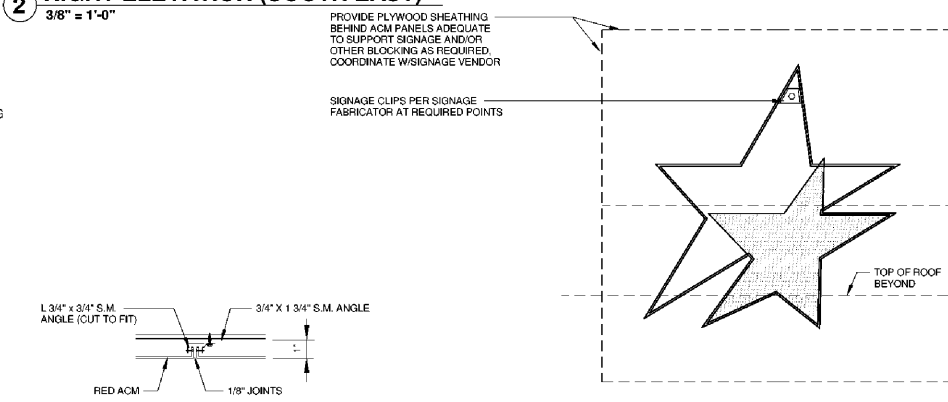
1 FRONT ELEVATION (SOUTH WEST)
3/8" = 1'-0"



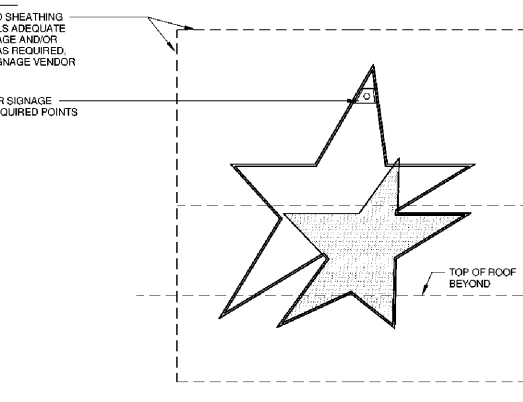
2 RIGHT ELEVATION (SOUTH EAST)
3/8" = 1'-0"



3 SKIN PANEL FASTENING SYSTEM DETAIL
1/4" = 1'-0"



4 ACM JOINT DETAIL
1/2" = 1'-0"



5 SIGNAGE DETAIL
1/2" = 1'-0"

- KEYED NOTES:**
- 1 ROUTED LETTER LOGO SIGNAGE — BY FMS
 - 2 CLEAR ANODIZED ALUMINUM STOREFRONT SYSTEM — C-7
 - 3 EXTERIOR LIGHTING, REFER TO LIGHTING PLAN — SHEET EL2
 - 4 4' x 4' PAINTED METAL DOWNSPOUTS — C-3
 - 5 DOORS (EXTERIOR SIDE) AND DOOR FRAMES PAINTED — C-3
 - 6 OPEN — BY FMS
 - 7 MURPHY EXPRESS STAR LOGO SIGNAGE — BY SIGN CONTRACTOR

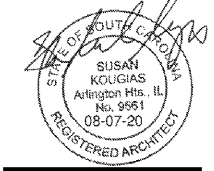
EXTERIOR FINISHES:

ACM	ACM (3MM THICKNESS)	BY FMS
BRICK	THIN BRICK	BY FMS
MTL	20 GA. SHEET METAL (UNLESS NOTED OTHERWISE)	BY FMS

EXTERIOR PAINT/COLORS:

C-1	THIN BRICK VENEER - LIGHT SANDSTONE VELOUR BY ENDICOTT (WIRE CUT FINISH) WITH ENDURA MAX PREBLENDING GREY COLOR GROUT	BY FMS
C-2	THIN BRICK VENEER - EMPIRE IVORY VELOUR BY CAROLINA CERAMICS (WIRE CUT FINISH) WITH ENDURA MAX PREBLENDING GREY COLOR GROUT	BY FMS
C-3	'DORMER BROWN' SW #7521	BY FMS
C-4	REYNOLDBOND #1 NATURAL BRUSHED ALUMINUM BY ARCONIC	BY FMS
C-5	OPEN	BY FMS
C-6	'PROGRAM RED' BY ALPOLIC	BY FMS
C-7	CLEAR ANODIZED ALUMINUM STOREFRONT	BY FMS

PROFESSIONAL SEAL



PROFESSIONAL IN CHARGE
SUSAN NELSON KOUKIAS

PROJECT MANAGER
JOHN NASHED

QUALITY CONTROL
CHRIS CERBO

DRAWN BY
SS

PROJECT NAME

MURPHY EXPRESS

MURPHY OIL CONVENIENCE STORE

4400 AUGUSTA RD & OAK DR,
LEXINGTON
SOUTH CAROLINA 29073

FREY MOSS STRUCTURE

1801 Rockdale Industrial Blvd.
Conyers, Georgia 30012
Voice: (800) 368-6385
Fax: (770) 409-6037

FMS JOB NUMBER
C20181975.5
FMS MODEL NUMBER
XXXXXX

PROJECT NUMBER
20181975.5

SHEET TITLE

EXTERIOR ELEVATIONS

SHEET NUMBER

E1

PROTO V2.0 11/01/2019