

STRUCTURAL GENERAL NOTES

- 1. GENERAL:**
- THE FOLLOWING NOTES ARE APPLICABLE TO ALL DRAWINGS IN ADDITION TO THE PROJECT SPECIFICATIONS.
 - APPLICABLE STRUCTURAL CODE FOR THE MODULAR BUILDING, INTERNATIONAL BUILDING CODE 2018. THE STRUCTURE IS IN FULL COMPLIANCE WITH THE CODES LISTED.
 - THE STANDARDS IN THE DRAWINGS (I.E. AISC, ETC.) SHALL BE THE EDITION SPECIFIED IN CHAPTER 35 OF THE BUILDING CODE.
 - THE CONTRACTOR SHALL USE MATERIALS AND EMPLOY CONSTRUCTION METHODS IN ORDER TO COMPLY WITH THE DRAWINGS AND SPECIFICATIONS. WHERE A CONFLICT OCCURS, THE STRICTER DESIGN SHALL GOVERN. ENGINEER'S REVIEW OF SHOP DRAWINGS, PRODUCT DATA, ETC. DOES NOT RELIEVE THE CONTRACTOR FROM MEETING THE CONTRACT DOCUMENTS. THE CONTRACTOR SHALL INFORM THE ARCHITECT IN WRITING OF ANY SPECIFIC DEVIATIONS AND OBTAIN ENGINEER'S WRITTEN APPROVAL FOR THE SPECIFIC DEVIATION.
 - THE STRUCTURE SHOWN ON THESE DRAWINGS IS STRUCTURALLY SOUND ONLY IN ITS COMPLETED FORM. THE CONTRACTOR SHALL FURNISH SPOILING, SHORING AND BRACING.
 - THE STRUCTURAL DRAWINGS SHALL BE USED IN CONJUNCTION WITH CIVIL, ARCHITECTURAL, MECHANICAL, PLUMBING, FIRE SPRINKLER, AND ELECTRICAL DRAWINGS. THE CONTRACTOR IS RESPONSIBLE FOR COORDINATION OF ALL REQUIREMENTS INTO THE SHOP DRAWINGS AND CONSTRUCTION.
 - IT IS THE CONTRACTOR'S SOLE RESPONSIBILITY TO FOLLOW ALL APPLICABLE SAFETY CODES AND REGULATIONS DURING ALL PHASES OF CONSTRUCTION.
 - CONNECTIONS OF ALL ITEMS SUPPORTED BY THE STRUCTURE ARE THE RESPONSIBILITY OF THE DESIGNER WHO ARE MAKING THESE ATTACHMENTS. THESE ATTACHMENTS SHALL BE DESIGNED TO RESIST ALL GRAVITY, WIND, WIND UPLIFT, THERMAL LOADS, ETC.
 - WHERE A DETAIL, TYPICAL SECTION, TYPICAL SECTION OR A NOTE IS SHOWN FOR ONE CONDITION, IT SHALL APPLY FOR ALL LIKE OR SIMILAR CONDITIONS UNLESS OTHERWISE NOTED.
 - THE CONTRACTOR SHALL VERIFY ALL DIMENSIONS AND CONDITIONS.
 - UNLESS NOTED, ELEVATIONS SHOWN ARE TO TOP OF BEAMS AND FOUNDATIONS.
 - UNLESS NOTED, SUBMIT SHOP DRAWINGS OF ALL FABRICATED MATERIALS FOR REVIEW. DESIGN OF DRAWINGS SHALL NOT BE REPRODUCED FOR USE AS SHOP DRAWINGS. SHOP DRAWINGS WILL NOT BE REVIEWED UNLESS THEY WERE CHECKED, BEAR THE INITIAL OF THE CHECKER AND ARE STAMPED "APPROVED" BY THE GENERAL CONTRACTOR.
 - ALL REQUIRED TESTING REPORTS SHALL BE AVAILABLE AT THE JOB SITE.
 - EQUIPMENT WEIGHTS SHOWN ON THE STRUCTURAL DRAWINGS ARE MAXIMUM OPERATING WEIGHT INCLUDING CURBS AND MISCELLANEOUS.

- 2. DESIGN CRITERIA:**
- A. DEAD & LIVE LOADS**
- DEAD LOAD:
 - BUILDING FLOOR = 30 PSF
 - BUILDING ROOF = 12 PSF
 - ROOF LIVE LOAD = 20 PSF (REDUCIBLE)
 - FLOOR LIVE LOAD = 100 PSF
- B. OCCUPANCY CATEGORY - II**
- C. SNOW LOADS**
- GROUND SNOW LOAD = 10.0 PSF
 - FLAT ROOF SNOW LOAD = 12.0 PSF
 - SNOW EXPOSURE FACTOR, $C_e = 1.0$
 - THERMAL FACTOR, $C_t = 1.0$ (BUILDING), 1.2 (CANOPY)
 - SNOW LOAD IMPORTANCE FACTOR, $I_s = 1.0$
 - ALL APPLICABLE EFFECTS DUE TO SNOW DRIFTING
- D. WIND LOADS (ASCE 7-16)**
- ULTIMATE WIND SPEED = 115 MPH (98.1 MPH NOMINAL)
 - WIND LOAD IMPORTANCE FACTOR = 1.0
 - WIND EXPOSURE CATEGORY B FOR MAIN WIND FORCE-RESISTING SYSTEM
 - WIND EXPOSURE CATEGORY B FOR COMPONENTS AND CLADDING
- E. EARTHQUAKE DESIGN DATA**
- SEISMIC IMPORTANCE FACTOR, $I = 1.0$
 - MAPPED SEISMIC RESPONSE ACCELERATIONS
 - $S_s = 0.345$
 - $S_1 = 0.113$
 - SITE CLASS = D
 - DESIGN SPECTRAL RESPONSE PARAMETERS
 - $S_{DS} = 0.351$
 - $S_{D1} = 0.179$
 - SEISMIC DESIGN CATEGORY = C
 - BASIC SEISMIC-FORCE-RESISTING SYSTEM = MULTIPLE
 - DESIGN BASE SHEAR, $V = 0.0W$
 - SEISMIC RESPONSE COEFFICIENT $C_s = 0.140$
 - RESPONSE MODIFICATION FACTOR, $R = 2.5$
 - ANALYSIS PROCEDURE USED: EQUIVALENT LATERAL FORCE ANALYSIS
- F. DESIGN LOAD COMBINATIONS**
- D + L
 - D + (L OR S OR R)
 - D + (0.5W OR 0.7E)
 - D + 0.75L + 0.75(W OR S OR R)
 - D + 0.75L + 0.75(0.5W) + 0.75(L OR S OR R)
 - D + 0.75L + 0.75(0.7E) + 0.75S
 - 0.5D + 0.5W
 - 0.5D + 0.7E
- STRESS INCREASES:** INCREASES IN ALLOWABLE STRESSES SPECIFIED IN THE APPROPRIATE MATERIAL CHARACTERISTICS STANDARD SHALL NOT BE USED WITH THE LOAD COMBINATIONS, EXCEPT THAT A DURATION OF LOAD INCREASE SHALL BE PERMITTED IN ACCORDANCE WITH CHAPTER 23.

- 3. SHALLOW FOUNDATIONS AND BUILDING PAD:**
- DESIGN PARAMETERS: THE FOUNDATION HAS BEEN DESIGNED USING THE FOLLOWING ASSUMPTIONS: DESIGN NET SOIL BEARING PRESSURE 3000 PSF. MAXIMUM TOTAL FOUNDATION AND SLAB SETTLEMENT 1" AND DIFFERENTIAL SETTLEMENT 1/2" OVER A DISTANCE OF 30 FEET. MINIMUM SUBGRADE MODULUS 120 PCL. FROST PENETRATION 18 INCHES BELOW ADJACENT FINISHED GRADE. ALL DESIGN PARAMETERS SHALL BE VERIFIED BY A QUALIFIED GEOTECHNICAL ENGINEER. IT IS THE RESPONSIBILITY OF THE CONTRACTOR TO REPORT ADVERSE CONDITIONS.
 - THE SITE SHALL BE PREPARED UNIFORM IN ACCORDANCE WITH CIVIL DRAWINGS, SPECIFICATIONS AND GEOTECHNICAL REPORT NO. MPOIL-18-SC-02914-02, PREPARED BY UNITED CONSULTING, DATED AUGUST 22, 2019. THE MOST CONSERVATIVE RECOMMENDATIONS SHALL GOVERN.
 - WHERE FILL IS REQUIRED IT SHALL BE PLACED IN ACCORDANCE WITH RECOMMENDATIONS AND UNDER THE OBSERVATION OF A QUALIFIED GEOTECHNICAL ENGINEER.
 - ALL EXCAVATIONS AND BUILDING PADS SHALL BE OBSERVED BY A QUALIFIED GEOTECHNICAL ENGINEER TO VERIFY THE DESIGN CRITERIA AND REPORT ADVERSE CONDITIONS. (GEOTECHNICAL ENGINEER TO BE HIRED AND PAID BY THE OWNER) CERTIFICATION OF EXCAVATION SHALL BE PROVIDED TO BUILDING OFFICIAL. IN CASE OF CONFLICT BETWEEN THE GEOTECHNICAL REPORT, SPECIFICATIONS AND DRAWINGS, THE MORE STRINGENT REQUIREMENT SHALL APPLY.
 - FOOTING ELEVATIONS GIVEN ARE FOR PURPOSE OF CONTRACT AND SHALL BE ADJUSTED (LOWERED) AT TIME OF EXCAVATION TO MEET SOIL CONDITIONS. ENGINEER SHOULD BE CONSULTED.
 - GRANULAR BASE BELOW SPREAD FOOTINGS SHALL BE PLACED AND COMPACTED IN ACCORDANCE WITH THE RECOMMENDATIONS AND UNDER THE OBSERVATION OF A QUALIFIED GEOTECHNICAL ENGINEER.
 - THE CONTRACTOR SHALL BRING TO THE ATTENTION OF THE ARCHITECT THE LOCATION OF EXISTING UTILITIES AND PROCEED WITH THE WORK ONLY AFTER WRITTEN APPROVAL FROM THE ARCHITECT.
 - EXCAVATIONS FOR CONTINUOUS FOOTINGS SHALL BE MADE TRUE TO LINE AND GRADE. THE SIDES OF THE FOOTINGS SHALL BE FORMED, EXCEPT WHERE SOIL CONDITIONS ARE SUCH THAT THE SIDES OF THE EXCAVATION STAND FIRM AND SQUARE. EXCAVATIONS SHALL BE MADE TO FIRM, CLEAN BEARING SOIL.
 - EXCAVATIONS FOR FOOTINGS AND FOUNDATIONS, WHICH ARE TO SERVE AS FORMS, SHALL BE THOROUGHLY WET PRIOR TO PLACING CONCRETE.

4. CONCRETE:

A. CONCRETE SHALL CONFORM WITH ACI BUILDING CODE AND SHALL HAVE A 28-DAY COMPRESSIVE STRENGTH, AND DENSITY, AND WATER/CEMENT IN ACCORDANCE WITH THE FOLLOWING:

	STRENGTH	DENSITY	MAX W/C
SLABS	4000	145	0.45
FOUNDATIONS	3000	145	0.55
ALL OTHER CONCRETE (U.N.O.)	3000	145	0.55

B. UNLESS NOTED, CEMENT SHALL CONFORM TO ASTM C150, TYPE I OR II. AGGREGATES SHALL BE NORMAL WEIGHT CONFORMING TO ASTM C33. ADMIXTURES CONTAINING CHLORIDES SHALL NOT BE USED.

C. CONCRETE EXPOSED TO WEATHER (I.E. EXPOSED EXTERIOR SLABS, CONCRETE WALLS, RETAINING WALLS, ETC.) SHALL BE AIR-ENTRAINED IN ACCORDANCE WITH ACI 318, TABLE 4.2.

D. UNLESS NOTED, MAXIMUM SLUMP FOR CONCRETE SHALL BE 4 INCHES (PLUS OR MINUS ONE INCH) AT POINT OF PLACEMENT. UNLESS NOTED, MAXIMUM SLUMP FOR 4000 PSI CONCRETE FOR ELEVATED SLAB, SLAB-ON-GRADE SHALL BE 4" AT POINT OF PLACEMENT, WHERE APPROVED BY THE ENGINEER OF RECORD. LARGER SLUMP IS PERMITTED WITH THE ADDITION OF HIGH RANGE WATER REDUCING ADMIXTURE.

E. CONCRETE CURING SHALL COMPLY WITH ACI 308. CURING PROCESS SHALL START IMMEDIATELY FOLLOWING INITIAL SET. PER ACI 318 SECTION 5.11.1 IN CODE, CONCRETE SHALL BE MAINTAINED IN MOIST CONDITION FOR AT LEAST 7 DAYS AFTER PLACEMENT UNLESS PROVISIONS OF SECTION 1905.11.3 ARE FOLLOWED.

F. HOT WEATHER CONCRETING: SPECIAL PRECAUTIONS RECOMMENDED BY ACI 305 SHALL BE TAKEN WHEN THE AMBIENT TEMPERATURE IS ABOVE 80 DEGREES FAHRENHEIT OR WHEN MAXIMUM RATE OF EVAPORATION IN THE CONCRETE EXCEEDS 0.2 LB/SQ.FH. THIS RATE IS AFFECTED BY AIR TEMPERATURE, RELATIVE HUMIDITY, CONCRETE TEMPERATURE AND WIND VELOCITY (SEE ACI 305). AFTER FINISHING CONCRETE, USE LIGHT FOG SPRAY UNTIL CURING COMPOUND IS USED OR WET CURING METHOD IS IMPLEMENTED.

G. COLD WEATHER CONCRETING: WHEN, FOR MORE THAN THREE (3) CONSECUTIVE DAYS, THE MEAN DAILY TEMPERATURE DROPS BELOW 40 DEGREES FAHRENHEIT, SPECIAL MATERIALS AND PROCEDURES SHALL BE PROVIDED DURING PLACING AND CURING OF CONCRETE PER ACI 306.

- 5. REINFORCING STEEL:**
- REINFORCING STEEL SHALL CONFORM TO ASTM A-615, GRADE 60 (U.N.) AND GRADE 40 FOR #3 AND SMALLER BARS. GRADE 60 REINFORCING MAY NOT BE RE-BENT OR FIELD BENT WITHOUT APPROVAL OF THE STRUCTURAL ENGINEER.
 - WELDED WIRE REINFORCING SHALL CONFORM TO ASTM A-95, MINIMUM LAP SHALL BE 5" U.N.
 - NO T-JUNCTIONS OF REINFORCING IN THE FIELD WILL BE PERMITTED.
 - ALL DETAILING, FABRICATION AND PLACING OF REINFORCING BARS, UNLESS OTHERWISE NOTED, SHALL CONFORM TO ACI 318, "BUILDING CODE REQUIREMENTS FOR STRUCTURAL CONCRETE" AND THE LATEST ACI MANUAL OF STANDARD PRACTICE FOR DETAIL REINFORCING CONCRETE STRUCTURES.
 - USE A MINIMUM BAR LAP OF 60 BAR DIAMETERS, STAGGER WHERE POSSIBLE.
 - MINIMUM CONCRETE COVER FOR REINFORCING
 - CONCRETE REINFORCING SHALL BE PLACED PER THE TOLERANCES OF ACI 117 AND ACI 318
- | LOCATION | MINIMUM COVER |
|---|---------------|
| FOOTINGS, GRADE BEAMS AND SLABS | 3" |
| CAST AGAINST & PERMANENTLY EXPOSED TO EARTH | 3" |

- 6. STRUCTURAL STEEL:**
- CONFORM TO AISC MANUAL OF STEEL CONSTRUCTION, 13TH EDITION.
 - MATERIALS:
 - ASTM A36, $F_y = 36$ KSI UNLESS NOTED.
 - ASTM A502, GRADE B, $F_y = 46$ KSI FOR SQUARE AND RECTANGULAR HSS.
 - ASTM A500, TYPE B, GRADE B, $F_y = 35$ KSI FOR PIPES.
 - ASTM A307, BOLTS (U.N.O.)
 - ASTM A307, GRADE A, FOR HOOKED ANCHOR BOLTS.
 - ASTM A36, FOR THREADED ROD ANCHORS.
 - ASTM F1554 GR 36, FOR THREADED ROD ANCHORS NOTED ON DRAWINGS.
 - ASTM A108 & A W S D 11 FOR SHEAR STUDS.
 - STEEL MEMBERS SUPPORTING STEEL DECK AT THE PERIMETER OF THE BUILDING SHALL BE CONTINUOUS.
 - STRUCTURAL STEEL SHALL RECEIVE ONE (1) SHOP COAT OF RUST INHIBITIVE PRIMER.
 - GROUT UNDER BASE PLATES SHALL BE SIKAGROUT 212 AS MANUFACTURED BY SIKA CORPORATION OR SET GROUT BY MASTER BUILDERS.
 - STEEL COLUMNS AND BASE PLATES SHALL HAVE MINIMUM 3" CONCRETE COVER PROTECTION.
 - STEEL SHIMS SHALL CONFORM TO ASTM 1011 GRADE, UNLESS NOTED OTHERWISE.

- 7. WELDING:**
- ALL STRUCTURAL STEEL WELDING SHALL CONFORM TO AMERICAN WELDING SOCIETY STANDARD D1.1, LATEST EDITION.
 - ALL STRUCTURAL STEEL WELDING ELECTRODES SHALL CONFORM TO AWS A5.1.
 - FIELD WELDING SHALL BE PER THE ERECTION DRAWINGS.
 - ALL FIELD PARTIAL AND FULL PENETRATION WELDS SHALL BE INSPECTED AND TESTED BY A TESTING AGENCY TO BE PAID BY THE CONTRACTOR.
 - PAINT ALL WELDS WITH RUST INHIBITIVE PAINT.
 - PROOF OF WELDER CERTIFICATION SHALL BE AVAILABLE AT THE JOB SITE DURING TIMES OF INSPECTION.

- 8. STEEL FLOOR DECK:**
- CONFORM TO STEEL DECK INSTITUTE DESIGN MANUAL, LATEST EDITION.
 - UNLESS NOTED, STEEL FLOOR DECK SHALL BE 30" WIDE 1-1/2" DEEP INTERMEDIATE RIB (TYPE P) - 22 GA. GALVANIZED, MINIMUM YIELD STRENGTH 33,000 PSI.
 - STEEL FLOOR DECK SHALL BE ATTACHED TO THE SUPPORTS WITH #12 HEX HEAD SCREWS @ 12" O.C. MAX (U.N.O.)
 - SPACING OF CONNECTIONS SHALL BE AS FOLLOWS:
 - END LAPS: AT SIDE LAPS AND MIDDLE OF SHEET.
 - INTERMEDIATE SUPPORT: FOR BEAM SPACING UP TO 2'-0" AT SIDE LAP ON EVERY SECOND SUPPORT AND MIDDLE OF SHEET ON REMAINING SUPPORTS. FOR BEAM SPACING UP TO 3'-0" AT SIDE LAP ON EVERY SUPPORT. FOR BEAM SPACING UP TO 4'-0" AT SIDE LAP AND MIDDLE OF SHEET AT EVERY SUPPORT.

- 9. ROOF DECK AND WALL PANELS (U.N.):**
- CANOPY ROOF DECK ($F_y = 50$ KSI MIN)
 - ROOF DECK SHALL BE 37x19 ROLLED DECK (DECK GAUGE PER DRAWINGS)
 - ROOF DECK SHALL BE CONNECTED TO STEEL SUPPORT FRAMING AT SIDE AND END OF PANELS PER THE DRAWINGS.
 - BUILDING ROOF DECK ($F_y = 50$ KSI MIN)
 - ROOF DECK SHALL BE 37x19 ROLLED DECK (DECK GAUGE PER DRAWINGS)
 - ROOF DECK SHALL BE CONNECTED TO STEEL SUPPORT FRAMING AT SIDE AND END OF PANELS PER THE DRAWINGS
 - BUILDING WALL PANELS ($F_y = 50$ KSI MIN)
 - ROOF DECK SHALL BE 37x19 ROLLED DECK (DECK GAUGE PER DRAWINGS)
 - WALL PANELS SHALL BE CONNECTED TO STEEL SUPPORT FRAMING AT SIDE AND END OF PANELS PER THE DRAWINGS

- 10. COLD FORMED METAL FRAMING:**
- DESIGN, FABRICATIONS AND ERECTION SHALL CONFORM TO AISI *SPECIFICATIONS FOR THE DESIGN OF COLD FORMED STEEL STRUCTURAL MEMBERS*.

- 11. SPECIAL INSPECTIONS:**
- SPECIAL INSPECTOR (SI) SHALL BE RETAINED AND PAID BY THE OWNER AND PROVIDE INSPECTIONS DURING CONSTRUCTION ON THE TYPES OF WORK LISTED UNDER SECTION 1704 AND 1705 OF THE CODE AS PER TABLE BELOW.
 - THE SPECIAL INSPECTOR SHALL BE A QUALIFIED PERSON WHO SHALL DEMONSTRATE COMPETENCE, TO THE SATISFACTION OF THE BUILDING OFFICIAL, FOR INSPECTION OF THE PARTICULAR TYPE OF CONSTRUCTION OR OPERATION REQUIRING SPECIAL INSPECTION.
 - THE DUTIES OF THE SPECIAL INSPECTOR SHALL INCLUDE, BUT ARE NOT LIMITED TO, VERIFICATION OF CONSTRUCTION QUALITY CONTROL, TESTING, COMPLIANCE WITH THE CONSTRUCTION DOCUMENTS, BUILDING CODE REQUIREMENTS, AND LOCAL BUILDING DEPARTMENT REQUIREMENTS.
 - IT IS THE CONTRACTOR'S RESPONSIBILITY TO PROVIDE PROPER NOTIFICATION TO THE SPECIAL INSPECTOR AND PROCEED WITH THE CONSTRUCTION ONLY AFTER THE SPECIAL INSPECTOR'S APPROVAL.
- DUTIES AND RESPONSIBILITIES OF THE SPECIAL INSPECTOR:**
- THE SPECIAL INSPECTOR SHALL OBSERVE THE WORK ASSIGNED FOR PERFORMANCE WITH THE APPROVED DESIGN DRAWINGS AND SPECIFICATIONS. THE INSPECTOR MAY NOT ALTER, MODIFY, ENLARGE OR WAIVE ANY OF THE REQUIREMENTS OF THE DOCUMENTS.
 - SPECIAL INSPECTORS SHALL KEEP RECORDS OF INSPECTIONS. THE SPECIAL INSPECTOR SHALL FURNISH INSPECTION REPORTS TO THE CONSTRUCTION OFFICIAL, AND TO THE REGISTERED DESIGN PROFESSIONAL IN RESPONSIBLE CHARGE. THE CONTRACTOR AND THE OWNER REPORTS SHALL INDICATE THAT WORK INSPECTED WAS DONE IN CONFORMANCE TO APPROVED CONSTRUCTION DOCUMENTS. DISCREPANCIES SHALL BE BROUGHT TO THE IMMEDIATE ATTENTION OF THE CONTRACTOR AND THE OWNER FOR CORRECTION. IF THE DISCREPANCIES ARE NOT CORRECTED, THE DISCREPANCIES SHALL BE BROUGHT TO THE ATTENTION OF THE BUILDING OFFICIAL AND TO THE REGISTERED DESIGN PROFESSIONAL IN RESPONSIBLE CHARGE AND THE OWNER PRIOR TO THE COMPLETION OF THAT PHASE OF THE WORK.
 - AT A FREQUENCY AGREED UPON BY THE PERMIT APPLICANT AND THE BUILDING OFFICIAL PRIOR TO THE START OF WORK, A FINAL REPORT OF INSPECTIONS DOCUMENTING REQUIRED SPECIAL INSPECTIONS AND CORRECTION OF ANY DISCREPANCIES NOTED IN THE INSPECTIONS SHALL BE SUBMITTED PERIODICALLY.
 - WHERE SPECIAL INSPECTION REQUIREMENTS ENLARGE THE REQUIREMENTS OF SPECIFIED QUALITY ASSURANCE TESTING, DUPLICATE INSPECTIONS SHALL NOT BE REQUIRED.

SPECIAL INSPECTIONS APPLY TO WORK PERFORMED AT JOB SITE (U.N.)

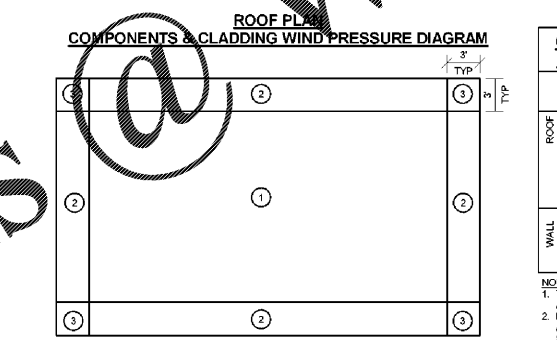
SOILS (1705.6)	FREQUENCY	REFERENCE STANDARD
1. VERIFY MATERIALS BELOW SHALLOW FOUNDATIONS ARE ADEQUATE TO ACHIEVE THE DESIGN BEARING CAPACITY.	PERIODIC	GEOTECHNICAL ENGINEERING REPORT
2. VERIFY EXCAVATIONS ARE EXTENDED TO PROPER DEPTH AND HAVE REACHED PROPER MATERIAL.	PERIODIC	GEOTECHNICAL ENGINEERING REPORT
3. PERFORM CLASSIFICATION AND TESTING OF COMPACTED FILL MATERIALS.	PERIODIC	GEOTECHNICAL ENGINEERING REPORT
4. VERIFY USE OF PROPER MATERIALS, DENSITIES AND LIFT THICKNESSES DURING PLACEMENT AND COMPACTION OF COMPACTED FILL.	CONTINUOUS	GEOTECHNICAL ENGINEERING REPORT
5. PRIOR TO PLACEMENT OF CONTROLLED FILL, OBSERVE SUBGRADE AND VERIFY THAT SITE HAS BEEN PREPARED PROPERLY.	PERIODIC	GEOTECHNICAL ENGINEERING REPORT
6. BACKFILL BELOW BUILDING (PER DRAWING P1) VERIFY USE OF PROPER MATERIALS, DENSITIES AND LIFT THICKNESSES DURING PLACEMENT AND COMPACTION OF COMPACTED FILL.	CONTINUOUS	GEOTECHNICAL ENGINEERING REPORT

INSPECTION OF FABRICATORS (1704.2.5)

- APPLICABLE ELEMENT (FABRICATOR CERTIFICATION REQUIREMENTS)
 - STRUCTURAL STEEL (AISC CERTIFIED FOR CONVENTIONAL STEEL BUILDING OR APPROVED EQUAL BY THE BUILDING OFFICIAL)-APPROVAL SHALL BE BASED UPON REVIEW OF THE FABRICATOR'S WRITTEN PROCEDURAL AND QUALITY CONTROL MANUALS AND PERIODIC AUDITING OF FABRICATION PRACTICES BY AN APPROVED SPECIAL INSPECTION AGENCY.
- WHEN SPECIAL INSPECTIONS ARE REQUIRED BY BUILDING OFFICIAL
 - FABRICATION AND IMPLEMENTATION PROCEDURES: THE SPECIAL INSPECTOR SHALL VERIFY THAT THE FABRICATOR MAINTAINS DETAILED FABRICATION AND QUALITY CONTROL PROCEDURES THAT PROVIDE A BASIS FOR INSPECTION, CONTROL OF THE WORKMANSHIP AND THE FABRICATOR'S ABILITY TO CONFORM TO APPROVED CONSTRUCTION DOCUMENTS AND REFERENCED STANDARDS. THE SPECIAL INSPECTOR SHALL REVIEW PROCEDURES FOR COMPLETENESS AND ADEQUACY RELATIVE TO THE CODE REQUIREMENTS FOR THE FABRICATOR'S SCOPE OF WORK.
- WHEN SPECIAL INSPECTIONS ARE NOT REQUIRED BY THE BUILDING OFFICIAL
 - UPON COMPLETION OF FABRICATION, THE APPROVED FABRICATOR SHALL SUBMIT CERTIFICATE OF COMPLIANCE TO THE BUILDING OFFICIAL THAT THE WORK WAS PERFORMED IN ACCORDANCE WITH THE APPROVED CONSTRUCTION DOCUMENT.

ROOF & WALL SYSTEM SCHEDULE

LOCATION	DESCRIPTION	TYPE	CONNECTION & FASTENER PLACEMENT
ROOF	ROOF DECK	37x19x20GA ROLLED GALVALUMINE ($F_y = 50$ ksi)	-
	CONNECTION TO STEEL SUPPORTS	22GA x 2" CLIP @ RIB	AT EACH SUPPORT
		#12 x 1/4" LG TEK SCREW	TO EACH SUPPORT @ EACH CLIP
		#10x3/4" LG TEK SCREW	VERT DECK RIB TO VERT DECK RIB @ EA CLIP & BETWEEN STEEL SUPPORTS
WALL	WALL PANEL	37x19x20GA ROLLED STEEL ($F_y = 50$ ksi)	-
	CONNECTION - PANEL TO PANEL	#10 x 3/4" LG TEK SCREW	18" O.C.
	CONNECTION - PANEL TO STL POST (ADJACENT)	#10 x 3/4" LG TEK SCREW	18" O.C.
	CONNECTION - PANEL TO STL FRAME @ ROOF & FLOOR	#10 x 3/4" LG TEK SCREW	18" O.C. CENTER (AVERAGE) 1 PER WALL PANEL. LOCATE AT SIDE OF RIB

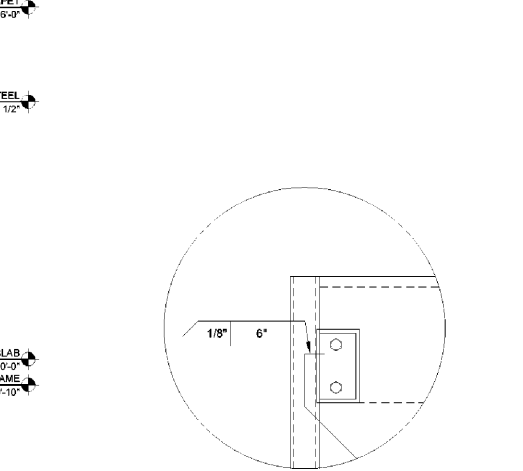
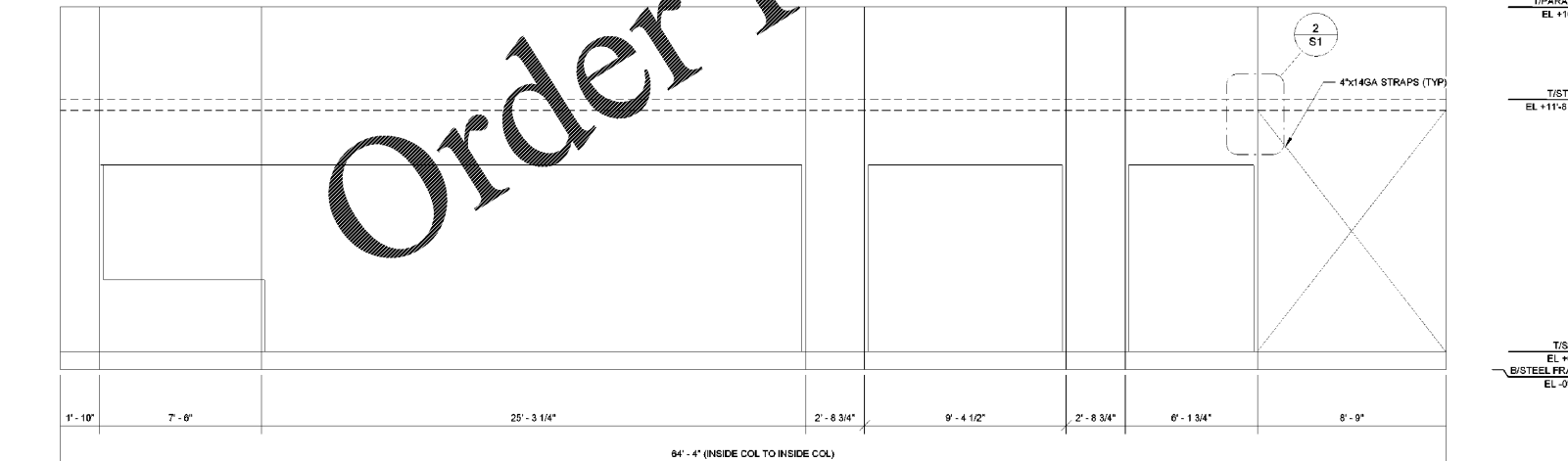
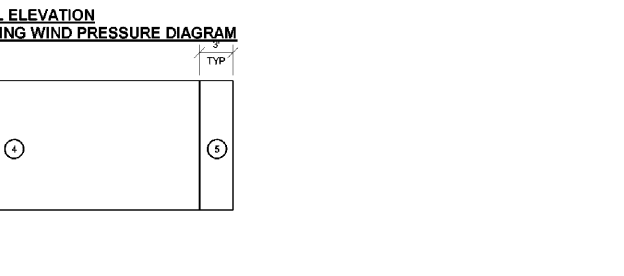


COMPONENTS AND CLADDING (WIND PRESSURE SCHEDULE)

ZONE	EFFECTIVE WIND AREA, A_e (SEE NOTE 1)	PRESSURE (PSF)	WIND PRESSURE (PSF)
ROOF	1	10	+16.0
	2	50	+16.0
	3	10	+16.0
	4	50	+16.0
	5	10	+16.0
WALL	1	10	+21.8
	2	50	+19.5
	3	10	+21.8
	4	50	+19.5
	5	10	+21.8

NOTES:

- THE "ROOFING SYSTEM" SHALL BE BASED ON AN EFFECTIVE WIND AREA OF 10 SF.
- PLUS AND MINUS SIGNS SIGNIFY PRESSURES ACTING TOWARD AND AWAY FROM THE SURFACES, RESPECTIVELY.
- INDICATED PRESSURES ARE ULTIMATE LOADS.



1 X-BRACES FRONT ELEVATION N.T.S.

2 STRAP BRACING DETAIL N.T.S.

ISSUE RECORD

DATE	REV.	DESCRIPTION	PERMIT SUBMISSION SET
05/20/2020			
08/07/2020	1	OUT TO BID SET	

PROFESSIONAL SEAL

STATE OF SOUTH CAROLINA
Professional Engineer
No. 31204
EXPIRES 12/31/2024
KYLE N. LINDEN
2-7-2020

PROFESSIONAL IN CHARGE
K LINDEN
N YOUNG

PROJECT MANAGER
M YOUNG

QUALITY CONTROL
B McGLADE

DRAWN BY
D HANNEY

PROJECT NAME

MURPHY OIL CONVENIENCE STORE
NW CORNER HWY 1 & OAK DRIVE, LEXINGTON SOUTH CAROLINA 29073

FREY MOSS STRUCTURE
1801 Rockdale Industrial Blvd.
Coryers, Georgia 30012
Voice: (800) 368-6385
Fax: (770) 483-6037
FMS JOB NUMBER: C23M100061
FMS MODEL NUMBER: XXXXXX

PROJECT NUMBER
20181975.5

SHEET TITLE

STRUCTURAL GENERAL NOTES

SHEET NUMBER
S1

PROTO V2.0 11/01/2019