

ISSUANCES	
DATE	Description

KEY PLAN

AH&P
CONSULTING ENGINEERS
ADDRESS: HANDECK & POWELL, INC.
250 Dexter Lane
Suite 100
Macon, Georgia 31210
Macon, GA 31210
Fax: (478) 405-8210
WWW.AHPENG.COM



Manley Spangler Smith Architects
A Professional Corporation

625 East Taylor St
P.O. Box 880
Giffin, Georgia 30224
Office: 770.227.5473
Fax: 770.228.3442

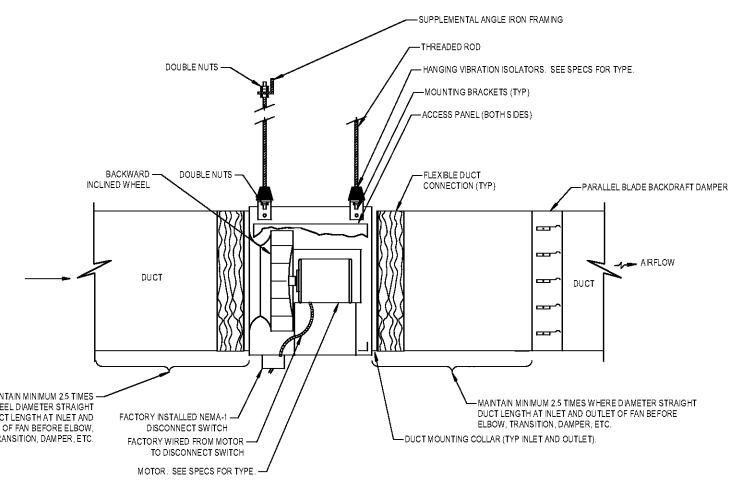
PROJECT:
HENRY COUNTY
SCHOOLS -
DISTRIBUTION CENTER /
S/CCT ACCESS

CLIENT:
HENRY COUNTY BOARD
OF EDUCATION

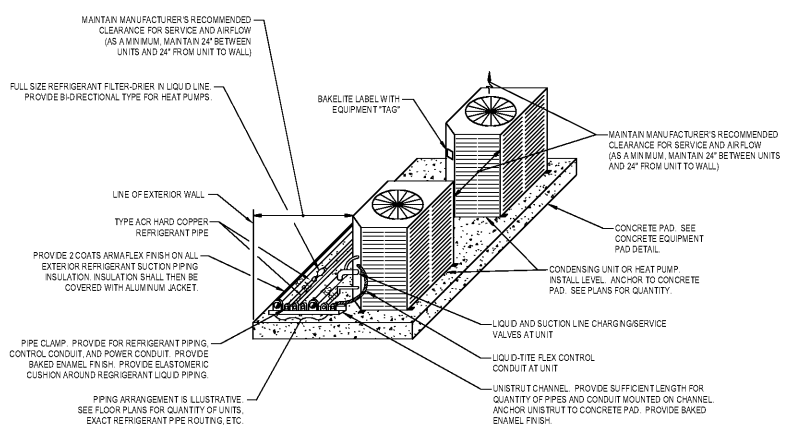
SHEET TITLE:
MECHANICAL DETAILS

PROJECT NUMBER: 201827
DATE: 08.13.20
SCALE: AS SHOWN
DRAWN BY: JDR
CHECKED BY: JDR

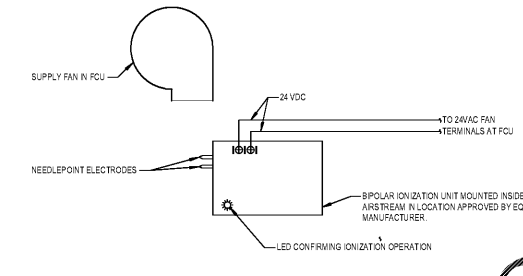
SHEET NO.: M5.12



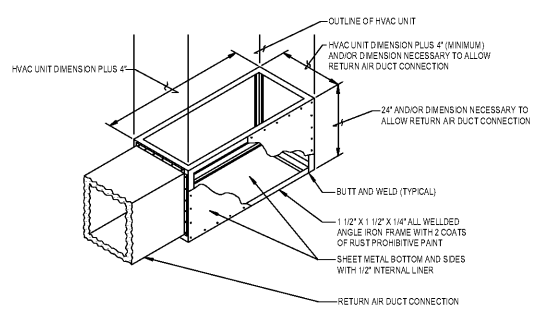
CENTRIFUGAL INLINE FAN DETAIL
SCALE: NONE



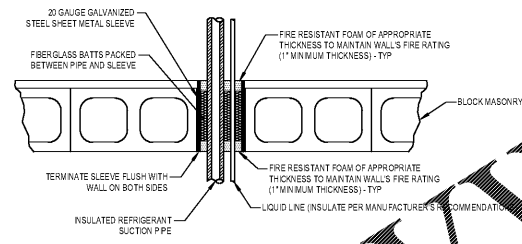
HEAT PUMP/CONDENSING UNIT DETAIL
SCALE: NONE



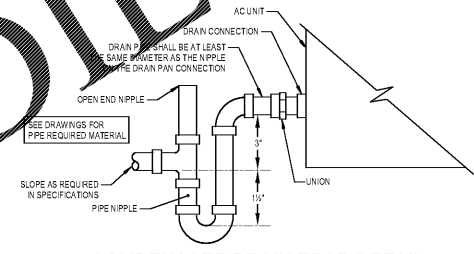
BI-POLAR IONIZATION UNIT DETAIL
SCALE: NONE



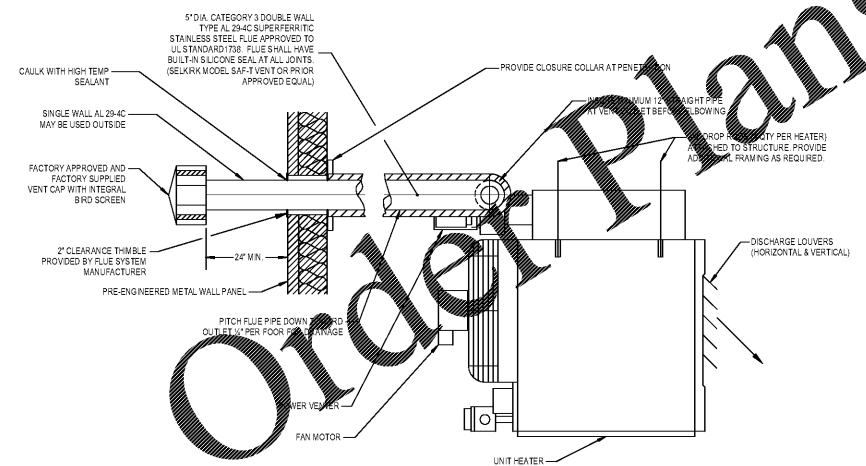
RETURN AIR PLENUM STAND DETAIL
SCALE: NONE



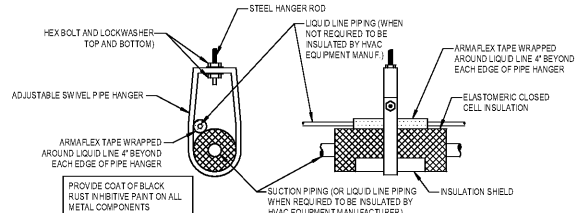
PIPE SLEEVE DETAIL - REFRIGERANT PIPE THRU WALL
SCALE: NONE



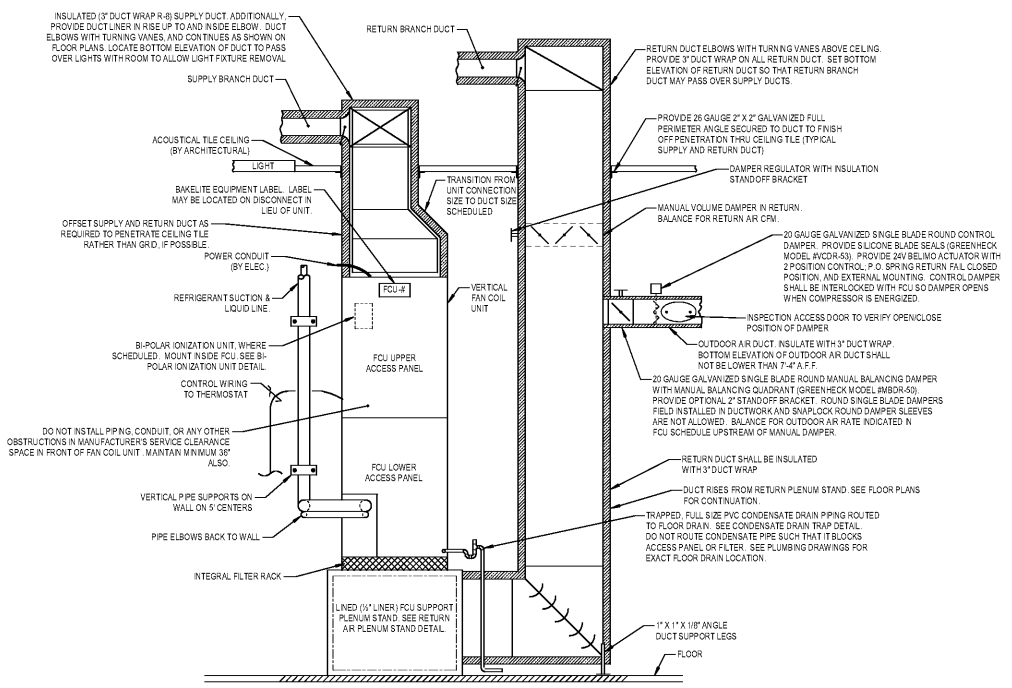
CONDENSATE DRAIN TRAP DETAIL
SCALE: NONE



GAS FIRED UNIT HEATER DETAIL - HORIZONTAL FLUE
SCALE: NONE



REFRIGERANT PIPE HANGER DETAIL
SCALE: NONE



VERTICAL FCU DETAIL
SCALE: NONE

GENERAL: INSURE ALL ACCESS PANELS AND FILTER RACK ARE FREE TO OPEN FULLY AND ARE NOT OBSTRUCTED BY PIPING, CONDUITS, ETC.

GENERAL: CONTRACTOR SHALL NOT PROVIDE FLEXIBLE CONNECTORS IN SUPPLY AND RETURN DUCT AT FCU SUPPLY AND RETURN CONNECTION. PROVIDE HARD DUCTED CONNECTIONS.

Order Plans @ WWW.LDILine.com