

ISSUANCES	
DATE	Description

KEY PLAN

AH&P
CONSULTING ENGINEERS
ANDREWS, HAMBROCK & POWELL, INC.
258 Charter Lane
Suite 100
Macon, Georgia 31210
Macon (478) 405-8200
Fax (478) 405-8210
WWW.AHPENGINEERS.COM



Manley Spangler Smith Architects
A Professional Corporation

625 East Taylor St
P.O. Box 880
Griffin, Georgia 30224
Office 770.227.5473
Fax 770.228.3442

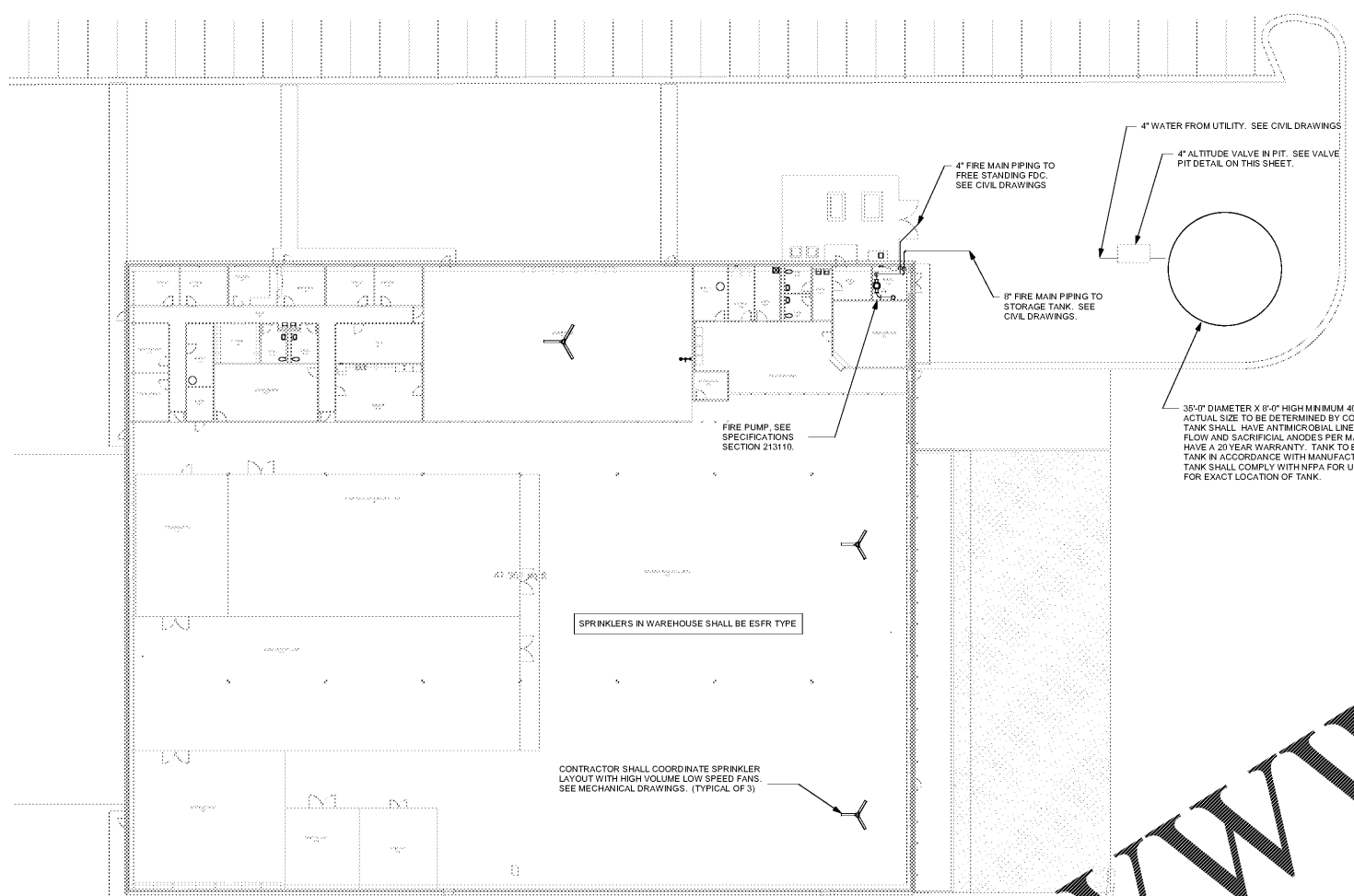
PROJECT:
HENRY COUNTY SCHOOLS - DISTRIBUTION CENTER

CLIENT:
HENRY COUNTY BOARD OF EDUCATION

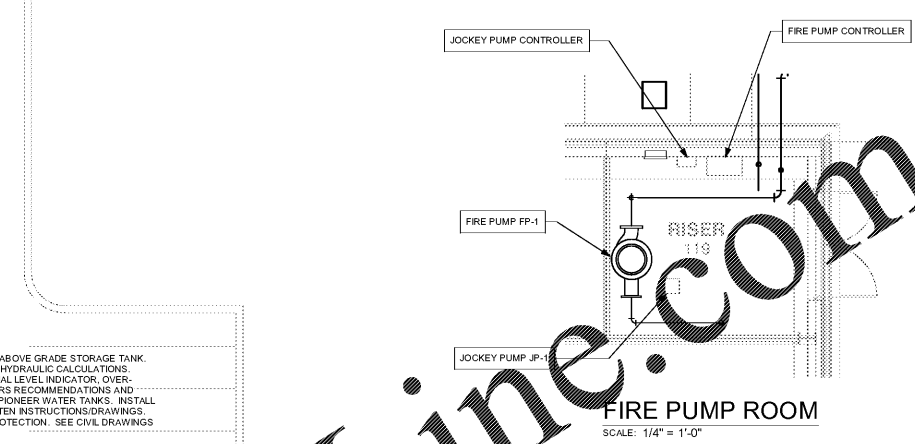
SHEET TITLE:
FIRE PROTECTION PLAN AND DETAILS

PROJECT NUMBER: 201827
DATE: 08.13.20
SCALE: AS SHOWN
DRAWN BY: JMC
CHECKED BY: JMC

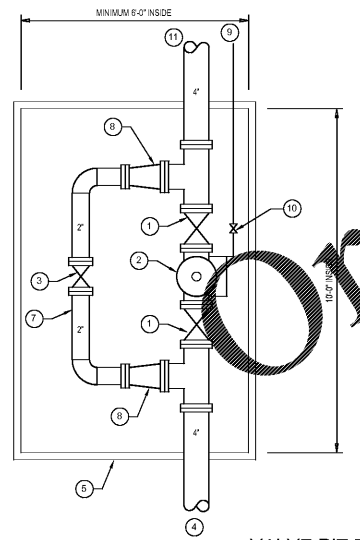
SHEET NO.: **FP1.21**



FIRE PROTECTION PLAN
SCALE: 1" = 20'-0"



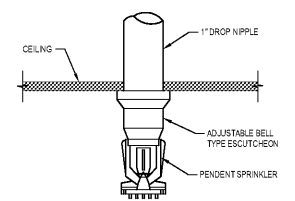
FIRE PUMP ROOM
SCALE: 1/4" = 1'-0"



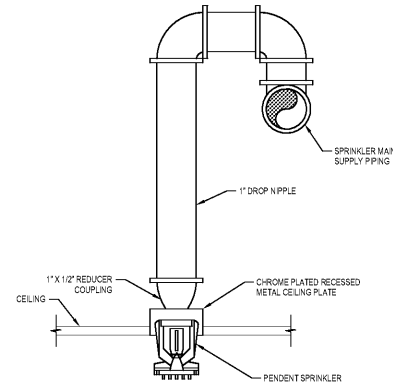
VALVE PIT DETAIL
SCALE: NONE

NOTES: (VALVE PIT DETAIL ONLY)

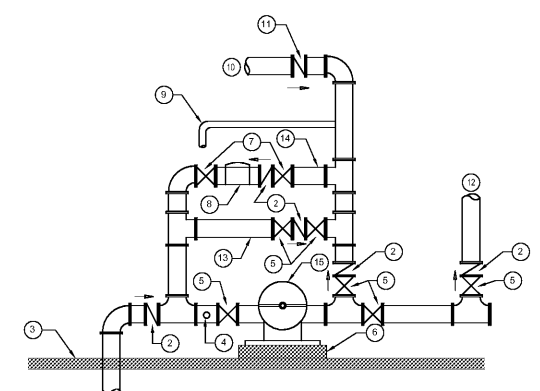
- 4" BUTTERFLY VALVE
- 4" ALTITUDE VALVE, WATTS MODEL LF1973
- 2" BALL VALVE
- 4" FROM UTILITY, SEE CIVIL DRAWINGS
- BOTTOMLESS PRECAST CONCRETE WITH SOLID TOP, HD-80 (PAVED). PROVIDE A 36" SQUARE, 1/2" THICK ALUMINUM ACCESS HATCH, BEARING 2" ABOVE THE INSTALL VAULT MANUFACTURER'S RECOMMENDATIONS.
- 4" FROM FIRE PUMP, BOTTOM OF VALVE PIT
- 4" SHALL BE COPPER PIPE
- 4" WELDED BRASS FITTINGS
- 4" TO TANK, SEE SHEET FOR CONTINUATION



PENDENT SPRINKLERS AT SURFACE MOUNTED LIGHT FIXTURES
SCALE: NONE



TYPICAL DROP TO PENDENT SPRINKLER
SCALE: NONE



FIRE PUMP SCHEMATIC
SCALE: NONE

NOTES: (FIRE PUMP SCHEMATIC ONLY)

- 8" FIRE MAIN PIPING FROM STORAGE TANK
- 8" CHECK VALVE
- FINISHED FLOOR
- 2" PIPING TO SUCTION OF JOCKEY PUMP
- 8" O.S. & Y. GATE VALVE OR BUTTERFLY VALVE, NORMALLY OPEN
- CONCRETE HOUSEKEEPING PAD PER PUMP MANUFACTURER
- 8" O.S. & Y. GATE VALVE OR BUTTERFLY VALVE, NORMALLY CLOSED
- 8" FLOW METER
- 1-1/2" DISCHARGE FROM JOCKEY PUMP
- 4" PIPING FROM FIRE DEPARTMENT CONNECTION
- 4" CHECK VALVE
- TO BUILDING FIRE PROTECTION SYSTEM, SIZED PER CALCULATIONS
- 8" BY-PASS PIPING
- 8" TEST LOOP PIPING
- FIRE PUMP
- BLIND FLANGE FOR FUTURE EXTENSION FOR FUTURE ZONE

Order Plans @ www.LDILine.com