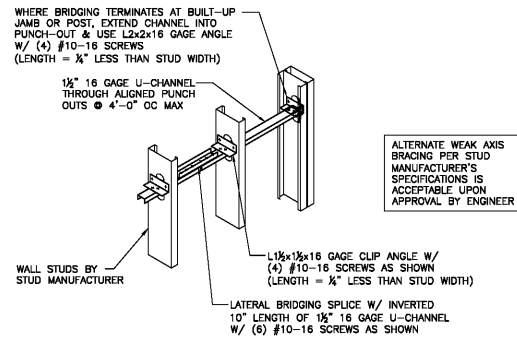
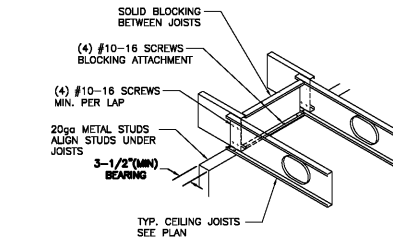


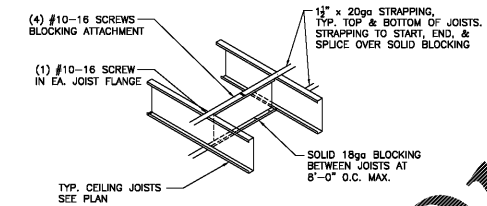
1 TYPICAL METAL STUD WALL
S2.4 SCALE: NONE



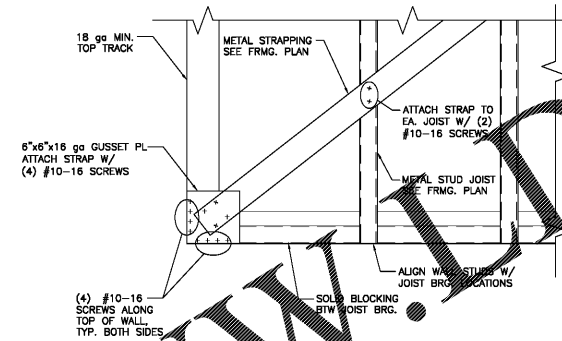
2 METAL STUD WALL WEAK AXIS BRACING
S2.4 SCALE: NONE



3 METAL STUD JOIST LAP BRG. DETAIL
S2.4 SCALE: NONE



4 METAL STUD JOIST BRIDGING DETAIL
S2.4 SCALE: NONE



5 METAL STRAP CONNECTION
S2.4 SCALE: 1/2" = 1'-0"

STUD LINTEL SCHEDULE		
SPAN	BACK TO BACK JOIST LINTEL	FULL HEIGHT JAMB STUD
9' TO 4'	DBL. 800S162-43	DBL. 362S162-54
TO 6'	DBL. 800S162-54	DBL. 362S162-54
6' TO 10'	DBL. 1000S162-54	DBL. 362S162-54
10' TO 16'	DBL. 1200S162-68	TRP. 362S162-54

- USE THIS SCHEDULE FOR ALL LINTELS IN METAL STUD WALLS
 - SCREW TRACK RUNNERS TO STUDS THROUGH FLANGES W/ (2) #10-16 TEK SCREWS @ 12" O.C.
 - PROVIDE 2"x2"x 2" LONG 54 MIL CLIP ANGLES TOP AND BOTTOM OF BOX HEADER AT END CONNECTIONS. SCREW CLIPS TO ADJACENT STUDS W/ (3) #10-16 TEK SCREWS. SCREW CLIP TO BOX HEADER W/ (3) #10-16 TEK SCREWS.

NESTED JAMB POST 362S162-54 SCREW TO CONT. STUD @ 12" O.C. MAX.
 JOIST WEB STIFFENER REQUIRED AT EACH END OF HEADER, TYP. (EACH SIDE OF HEADER)

Order Plans @ WWW.IDLINE.COM

REVISIONS

NO.	DATE	DESCRIPTION

HAINES, GIPSON & ASSOCIATES
Consulting Engineers
SITE 100
100 NORTH BORN ROAD
LAWRENCEVILLE, GEORGIA 30041
770.461.7800 FAX.461.7790

THE GEORGIA REGISTERED PROFESSIONAL ENGINEER
WILL W. GIPSON

STATE OF GEORGIA REGISTERED ARCHITECT
MANLEY SPANGLER SMITH & ARCHITECTS

Manley Spangler Smith Architects
A Professional Corporation

525 East Taylor St.
P. O. Box 680
Griffin, Georgia 30224
Tel (770) 227-5473
Fax (770) 228-6157

PROJECT:
HENRY COUNTY SCHOOLS - DISTRIBUTION CENTER

CLIENT:
HENRY COUNTY BOARD OF EDUCATION

SHEET TITLE:
SECTIONS & DETAILS

© 2010 Manley Spangler Smith Architects, PC
PROJECT NUMBER: 201627
DATE: 08.13.10
SCALE: AS NOTED
DRAWN BY: DSG
CHECKED BY: RWG

SHEET NO.: S2.4