

NO.	DATE	DESCRIPTION



KEY PLAN



6310 Pender Road, Suite 200
Macon, GA 31210
(478) 219-2600



REGISTERED DESIGN PROFESSIONAL # 2061
ISSUED: 11/2/2017 EXPIRES: 11/2/2022



Manley Spangler Smith Architects
A Professional Corporation

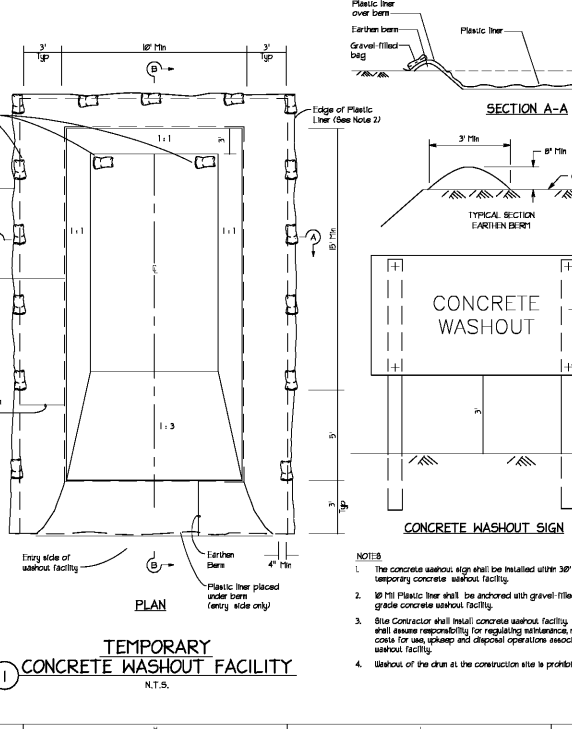
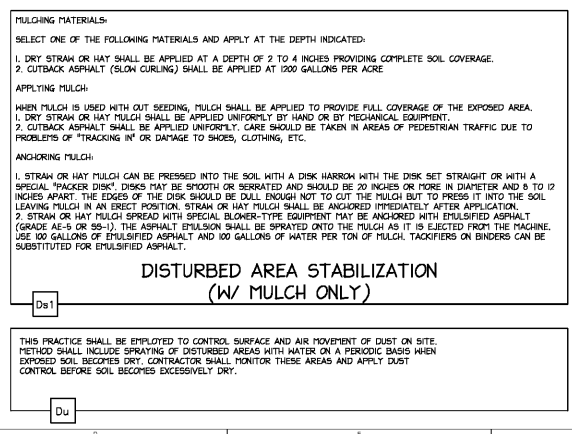
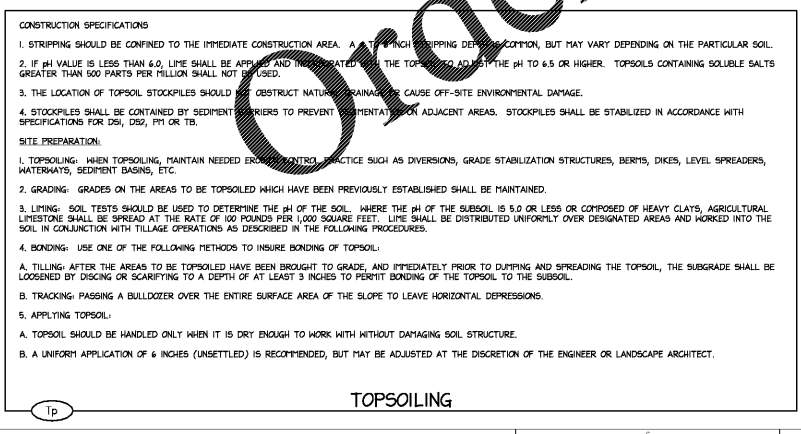
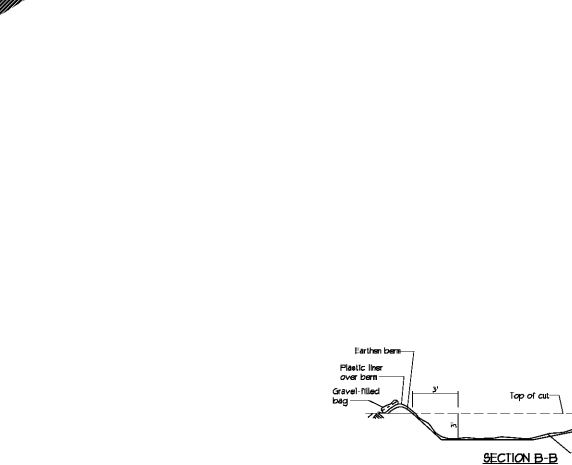
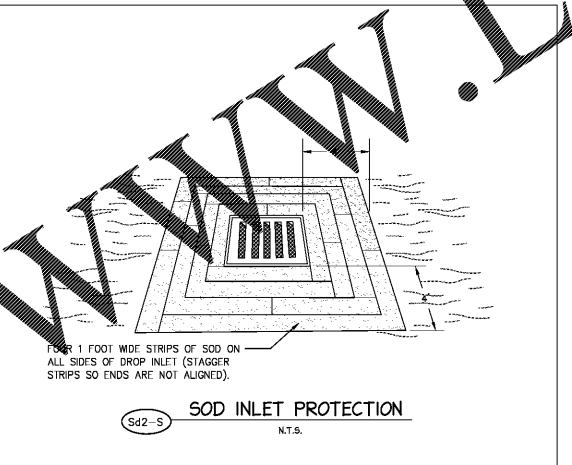
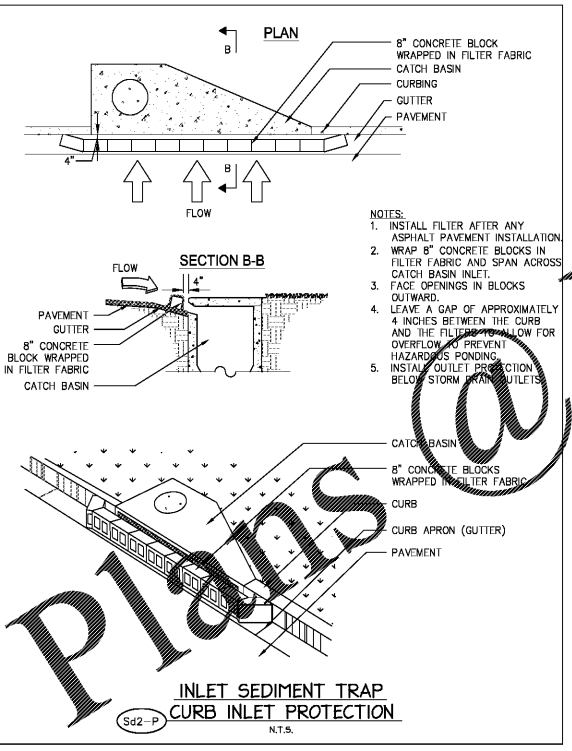
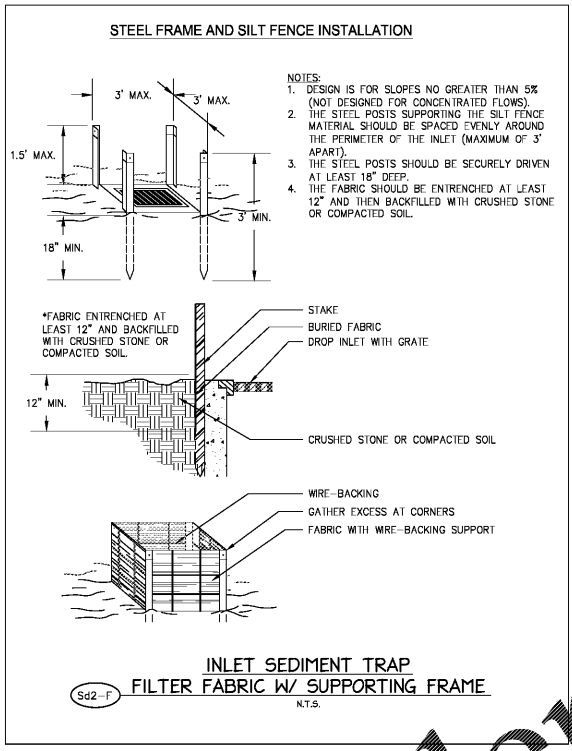
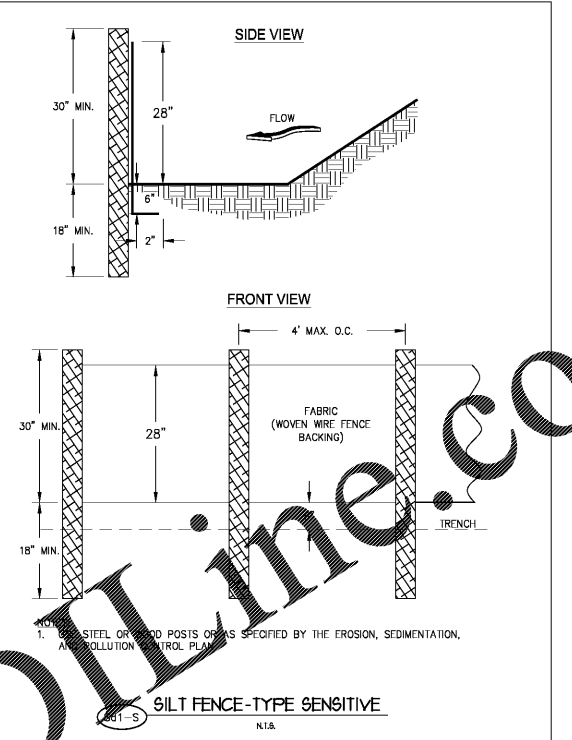
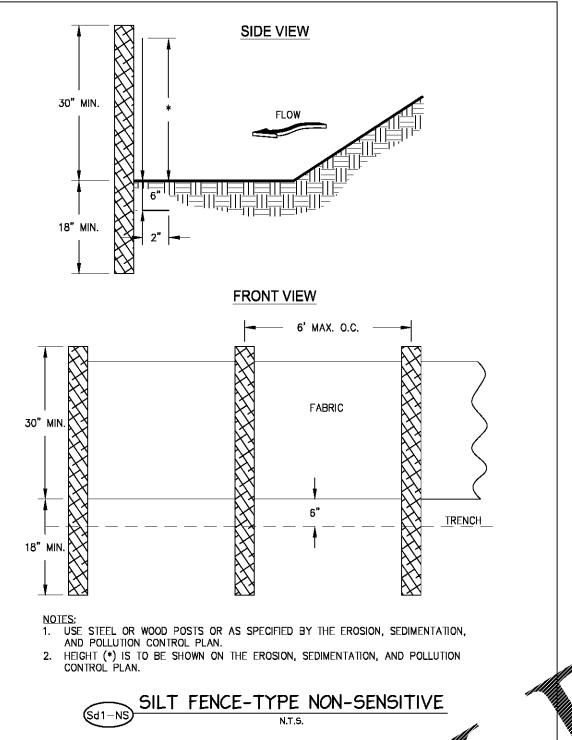
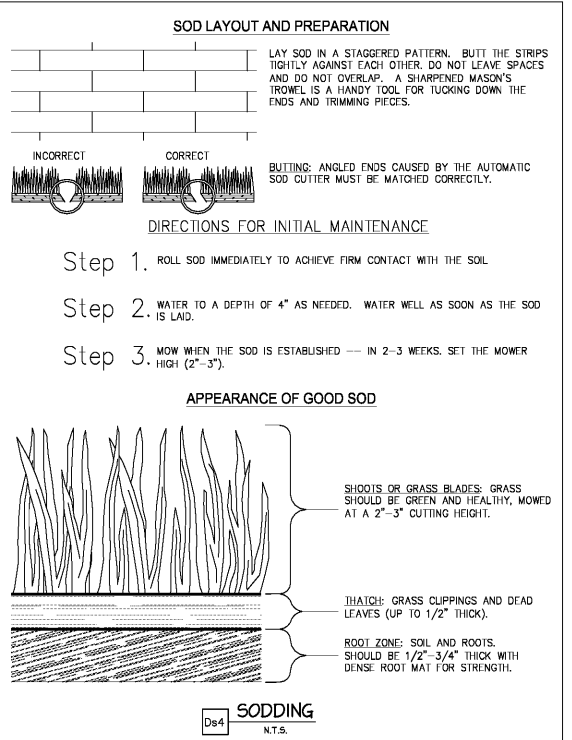
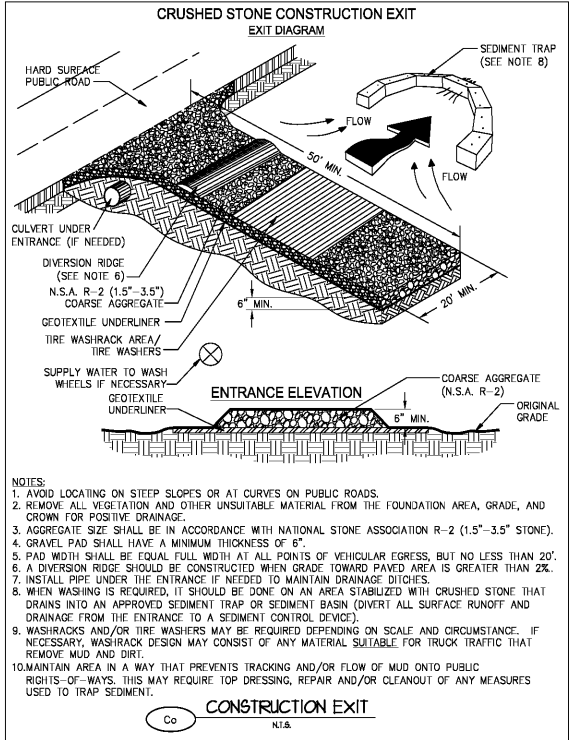
525 East Taylor St.
P.O. Box 880
Cuthbert, Georgia 30224
Office: 770.227.5473
Fax: 770.228.3442

PROJECT:
HENRY COUNTY SCHOOLS DISTRIBUTION CENTER

CLIENT:
HENRY COUNTY BOARD OF EDUCATION

SHEET TITLE:
STORMWATER POLLUTION PREVENTION DETAILS

© 2020 Manley Spangler Smith Architects, PC
PROJECT NUMBER: 201607
DATE: 08.13.20
SCALE: AS SHOWN
DRAWN BY: BCS
CHECKED BY: DLC
SHEET NO.: **C6.9**



WWW.LDLINE.COM

Order Plans