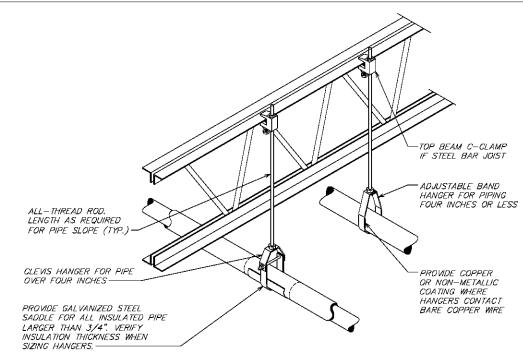
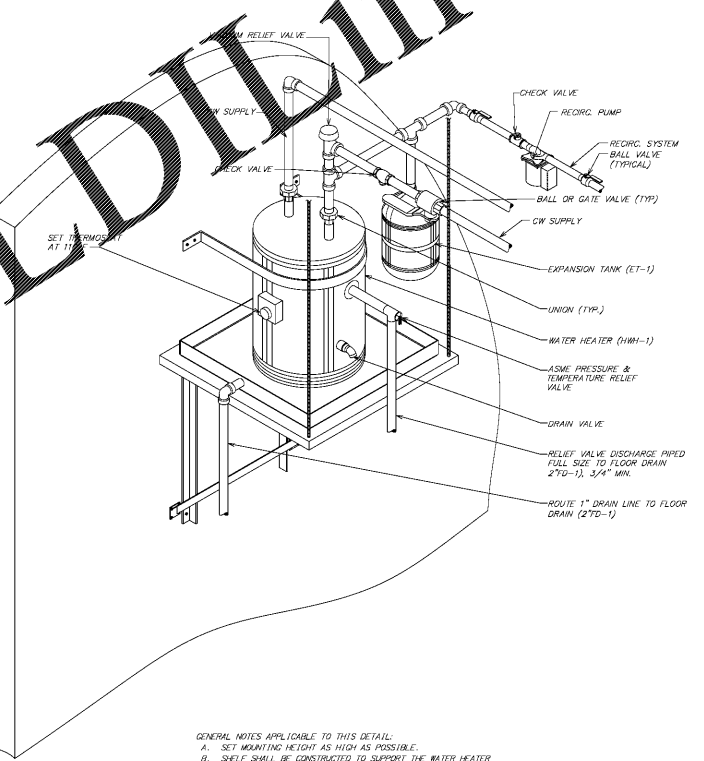


Order Plans @ www.LDinline.com



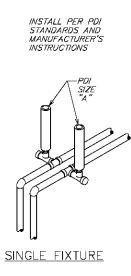
NOTE:
 PROVIDE UPPER ATTACHMENT AS REQUIRED FOR CASES NOT SHOWN HERE. DO NOT INSTALL HANGER INSIDE INSULATION OR OTHERWISE PENETRATE VAPOR BARRIER. DO NOT HANG ONE PIPE FROM ANOTHER EXCEPT IN CHANGES. TRAP/ICE HANGERS MAY BE USED FOR MULTIPLE PARALLEL PIPES. HANGER SPACING FOR PIPE SIZE: COPPER: 4'-12\"/>

3 PIPE INSULATION DETAIL
 NOT TO SCALE

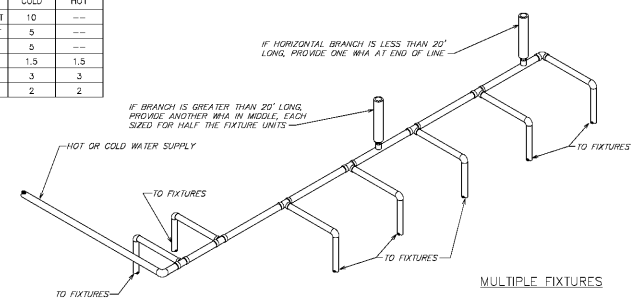


GENERAL NOTES APPLICABLE TO THIS DETAIL:
 A. SET MOUNTING HEIGHT AS HIGH AS POSSIBLE.
 B. SHELF SHALL BE CONSTRUCTED TO SUPPORT THE WATER HEATER CAPACITY INDICATED. SEE FLOOR PLANS FOR LOCATION.

2 WATER HEATER DETAIL
 NOT TO SCALE



FIXTURE UNIT TABULATION		
FIXTURE	COLD	HOT
VALVE WATER CLOSET	10	---
TANK WATER CLOSET	5	---
URINAL	5	---
LAVATORY/SINK	1.5	1.5
JANITOR'S SINK	3	3
SHOWER/BATH/TUB	2	2

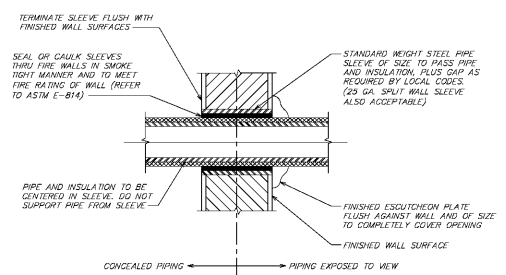


PDI SIZE	PIPE SIZE	FIXTURE UNIT LOAD
A	1 1/2"	1-11
B	3/4"	12-32
C	1"	33-60
D	1-1/4"	61-113
E	1-1/2"	114-154
F	2"	155-330

PLUMBING CONTRACTOR SHALL PROVIDE WATER HAMMER ARRESTERS BY SIKOU CHEF, PRECISION PLUMBING PRODUCTS, WAITS OR APPROVED EQUIVALENT WITH PISTON AND G-RING CONSTRUCTION, HAVING PDI, ASSE #1010 AND ASSE #1120/281M CERTIFICATION. INSTALL IN HORIZONTAL OR VERTICAL POSITION, BUT NEVER UPSIDE DOWN. INSTALL IN LINE WITH WATER FLOW DIRECTION IF POSSIBLE. SIZE THE UNITS AS SHOWN ON THE DRAWINGS AND/OR PER THE TABLES SHOWN ABOVE.

1 WATER HAMMER ARRESTERS
 NOT TO SCALE

4 PIPE SLEEVE AT INTERIOR WALLS
 NOT TO SCALE



NOTE: PROVIDE FOR ALL MASONRY WALLS AND FIRE RATED WALLS

PROJECT COORDINATOR



SEAL

CONSULTING ENGINEER



ARCHITECTURAL PROJECT NO.: 80-792
 MEP PROJECT NO.: 200183
 STRUCTURAL PROJECT NO.: ---
 CIVIL PROJECT NO.: ---

FedEx OfficeSM
 JOHNSON CITY, TN
 N ROAN RD
 2116 N ROAN ST, SUITE 1A
 JOHNSON CITY, TN 37601

CENTER NO.: 0531 SITE ID NO.: LX779947 PROGRAM: RTSZ

STIPULATION FOR REUSE
 THIS DRAWING WAS PREPARED FOR USE ON A SPECIFIC SITE: JOHNSON CITY, TN 37601
 CONSULTANT'S ISSUE DATE: 08/07/2020

AND IT IS NOT SUITABLE FOR USE ON A DIFFERENT PROJECT OR A LATER TIME. USE OF THIS DRAWING FOR REFERENCES OR ON ANOTHER PROJECT REQUIRES THE SERVICES OF PROFESSIONAL LICENSED ARCHITECTS AND ENGINEERS. REPRODUCTION OF THIS DRAWING FOR REUSE ON ANOTHER PROJECT IS NOT AUTHORIZED BY CONTRACT TO THE LAW. THESE DRAWINGS AND SPECIFICATIONS ARE THE PROPERTY OF FEDEX OFFICE INC. AND SHALL NOT BE REPRODUCED IN ANY MANNER OR USED ON ANY OTHER WORK WITHOUT WRITTEN AGREEMENT WITH FEDEX OFFICE. WRITTEN DIMENSION TAKE PRECEDENCE OVER SCALES. DIMENSIONS AND SHALL BE ON THE JOB SITE. FEDEX OFFICE IS TO BE NOTIFIED IN WRITING OF ANY DISCREPANCIES IN DIMENSIONS PRIOR TO THE COMMENCEMENT OF ANY WORK. THESE DRAWINGS ARE INTENDED FOR DESIGN ONLY AND NOT FOR USE IN CONSTRUCTION UNLESS APPROVED BY GOVERNING AUTHORITIES.

PERMIT/ BID SET

? 2020 FedEx Office		
NO.	REVISIONS:	DATE:

PERMIT SET ISSUE DATE: 08/07/2020
 BID SET ISSUE DATE: 08/07/2020
 CONSTRUCTION SET ISSUE DATE: ---

DRAWING TITLE:
 PLUMBING DETAILS

DRAWING NUMBER:
 P-1.1

TEMPLATE (30X42) ISSUE: 10/28/19