

idGROUP
2641 IRVING BLVD.
DALLAS, TEXAS 75207
TEL: 214-638-6800

PROJECT COORDINATOR

SEAL

DRAWING IS INCOMPLETE AND
MAY NOT BE USED FOR
REGULATORY APPROVAL,
PERMIT, OR CONSTRUCTION.

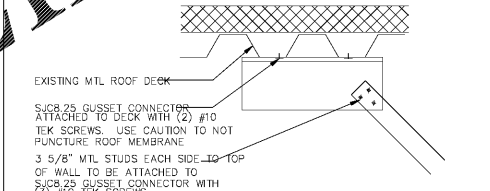
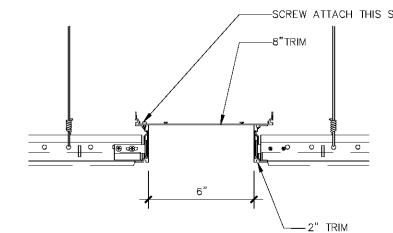
CONSULTING ENGINEER

NOT USED

16 NOT USED

12 EXPANSION JOINT DET-INT/F9 3"-1'-0" 8 NOT USED

5 WALL BRACING DET-INT/F1 3"-1'-0" 1



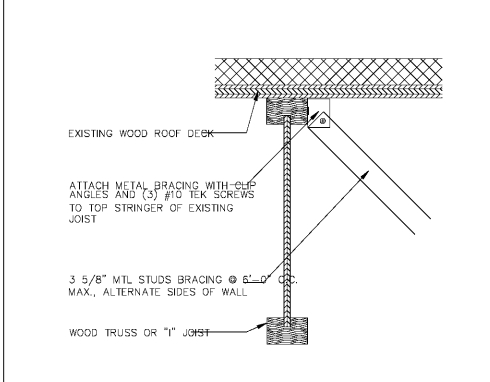
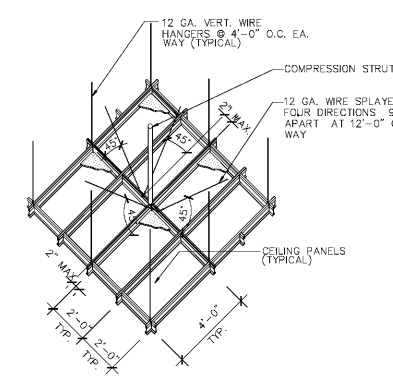
NOT USED

17 NOT USED

13 SEISMIC ISOLATION DET-INT/F2 3"-1'-0" 9 NOT USED

6 WALL BRACE DET-INT/F2 3"-1'-0" 2

Stud Size (in)	3 5/8"	3 5/8"	3 5/8"	4"	4"	12" Stud Spacing Connection Type	12" Stud Spacing Connection Type
Stud Spacing (in)	24"	24"	36"	42"	48"	24" o.c.	24" o.c.
24"	18	18	18	18	18	48	48
30"	18	18	18	18	18	48	48
36"	18	18	18	18	18	48	48
42"	18	18	18	18	18	48	48
48"	18	18	18	18	18	48	48
54"	18	18	18	18	18	48	48
60"	18	18	18	18	18	48	48
66"	18	18	18	18	18	48	48
72"	18	18	18	18	18	48	48
78"	18	18	18	18	18	48	48
84"	18	18	18	18	18	48	48
90"	18	18	18	18	18	48	48
96"	18	18	18	18	18	48	48
102"	18	18	18	18	18	48	48
108"	18	18	18	18	18	48	48
114"	18	18	18	18	18	48	48
120"	18	18	18	18	18	48	48
126"	18	18	18	18	18	48	48
132"	18	18	18	18	18	48	48
138"	18	18	18	18	18	48	48
144"	18	18	18	18	18	48	48
150"	18	18	18	18	18	48	48
156"	18	18	18	18	18	48	48
162"	18	18	18	18	18	48	48
168"	18	18	18	18	18	48	48
174"	18	18	18	18	18	48	48
180"	18	18	18	18	18	48	48



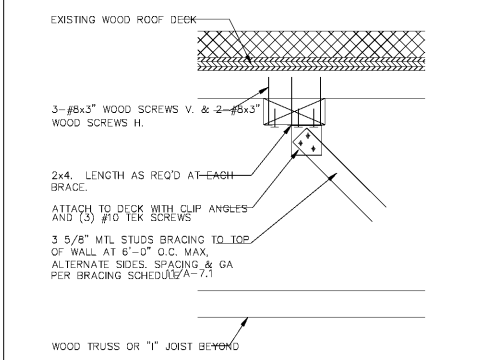
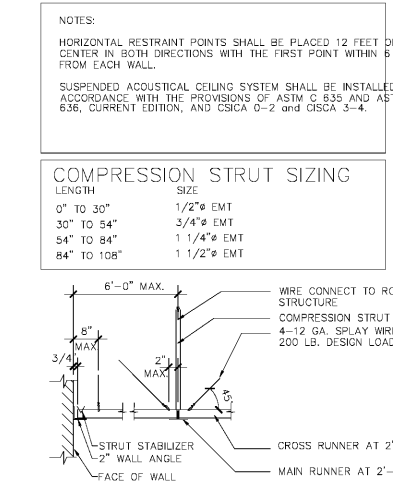
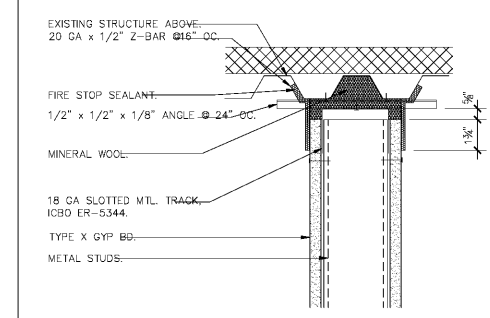
NOT USED

18 NOT USED

14 STUD SPACING SCHEDULE DET-INT/F11 N/A 10

WALL BRACE DET-INT/F3 3"-1'-0" 3

Order Plans



NOT USED

19 NOT USED

15 SLIP TRACK (RATED) DET-INT/F12 3"-1'-0" 11

7 SEISMIC CEILING BRACING DET-INT/F8 1/2"-1'-0" 7

IDG PROJECT NO: 80-790
MEP PROJECT NO: ---
STRUCTURAL PROJECT NO: ---
CIVIL PROJECT NO: ---

FedEx Office SM
JOHNSON CITY, TN
N ROAN RD
2116 N ROAN ST, SUITE 1A
JOHNSON CITY, TN 37601

CENTER NO: 0531 SITE ID NO: LX779947 PROGRAM: RTSZ

STIPULATION FOR REUSE
THIS DRAWING WAS PREPARED FOR USE ON A SPECIFIC SITE JOHNSON CITY, TX 37601
CONTEMPORANEOUSLY WITH THIS ISSUE DATE: 08/07/2020
AND IT IS NOT SUITABLE FOR USE ON A DIFFERENT PROJECT A LATER TIME. USE OF THIS DRAWING FOR REFERENCE OR ON ANOTHER PROJECT REQUIRES THE SERVICES OF PROFESSIONAL ARCHITECTS AND ENGINEERS. REPRODUCTION OF THIS DRAWING FOR REUSE ON ANOTHER PROJECT IS NOT ALLOWED UNLESS CONTRARY TO THE LAW. THESE DRAWINGS AND SPECIFICATIONS ARE THE PROPERTY OF FEDEx OFFICE AND SHALL NOT BE REPRODUCED OR USED IN ANY MANNER OR FOR ANY PROJECT WITHOUT THE WRITTEN AGREEMENT OF FEDEx OFFICE. ANY DISCREPANCIES OR CHANGES IN DIMENSIONS SHALL BE VERIFIED BY THE USER PRIOR TO THE COMMENCEMENT OF ANY WORK. THESE DRAWINGS ARE INTENDED FOR DESIGN ONLY AND NOT FOR USE IN CONSTRUCTION UNLESS APPROVED BY GOVERNING AUTHORITIES.

PERMIT/ BID SET
? 2020 FedEx Office

NO.	REVISIONS	DATE

PERMIT SET ISSUE DATE: 08/07/20
BID SET ISSUE DATE: 08/07/20
CONSTRUCTION SET ISSUE DATE: ---

DRAWING TITLE: WALL DETAILS

DRAWING NUMBER: A-7.1