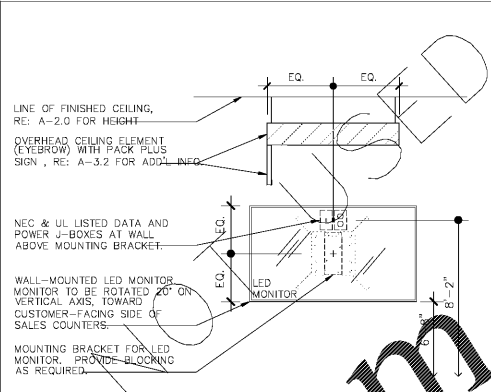
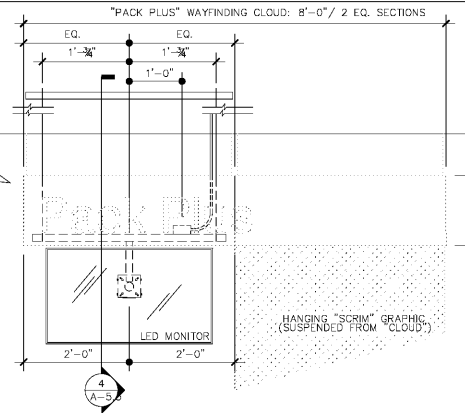
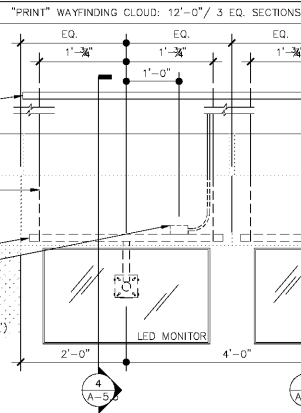


(\*) NOTE: GC TO PROVIDE CATSE...  
UNISTRUT AT STRUCTURE ABOVE  
LINE OF FINISHED CEILING  
THREADED ROD, TYP. (2 PER MONITOR), DIMENSIONS REFLECT SUGGESTED PLACEMENT, TO BE ADJUSTED IF CEILING INTERFERENCE OCCURS.  
WAYFINDING "CLOUD" OVERHEAD SIGNAGE AS SCHEDULED (REF: A-3.2)  
44" L UNISTRUT, TYP.  
ELECTRICAL J-BOX, TYP., ATTACH TO LOWER UNISTRUT ELECTRICAL (AS PER ELECTRICAL DRAWINGS) AND DATA CABLING\* TO BE RUN IN RIGID CONDUIT, ATTACHED TO THREADED ROD. PAINT J-BOX AND CONDUIT TO MATCH CEILING. ALL TO BE PROVIDED & INSTALLED BY GC.



LINE OF FINISHED CEILING, RE: A-2.0 FOR HEIGHT  
OVERHEAD CEILING ELEMENT (EYEBROW) WITH PACK PLUS SIGN, RE: A-3.2 FOR ADDL INFO  
NEC & UL LISTED DATA AND POWER U-BOXES AT WALL ABOVE MOUNTING BRACKET.  
WALL-MOUNTED LED MONITOR TO BE ROTATED 20° ON VERTICAL AXIS, TOWARD CUSTOMER-FACING SIDE OF SALES COUNTERS.  
MOUNTING BRACKET FOR LED MONITOR, PROVIDE BLOCKING AS REQUIRED.



PROJECT COORDINATOR

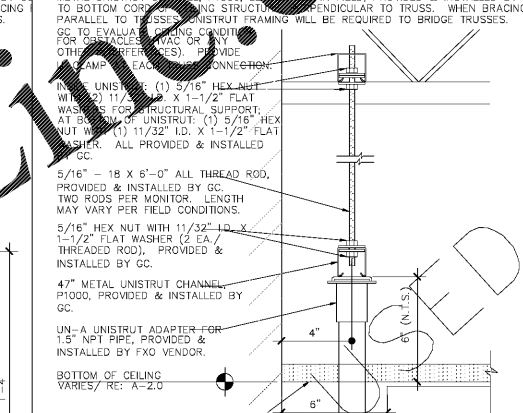
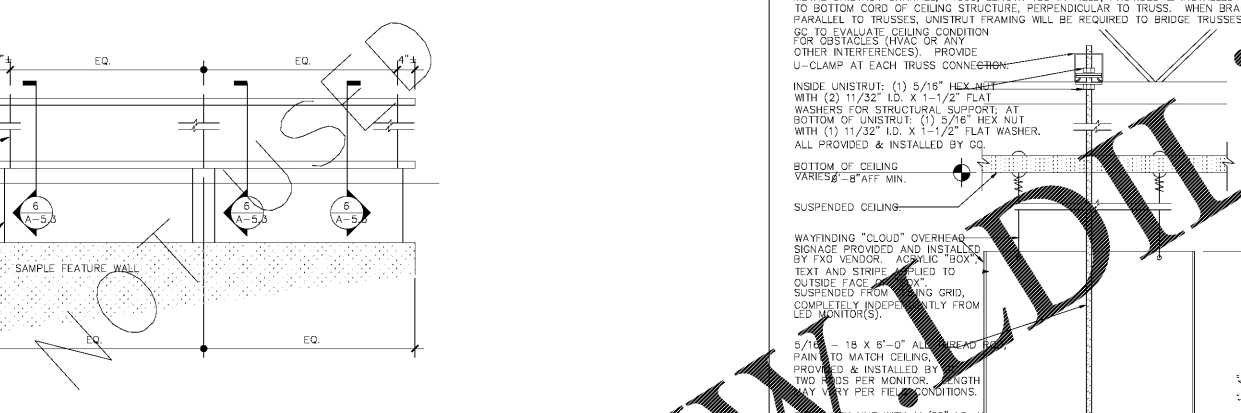
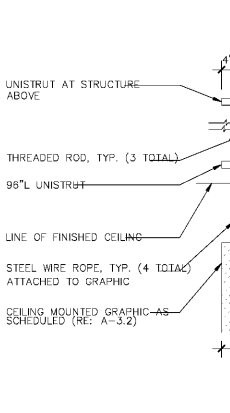
SEAL  
DRAWING IS INCOMPLETE AND MAY NOT BE USED FOR REGULATORY APPROVAL, PERMIT, OR CONSTRUCTION.

CONSULTING ENGINEER

NOT USED

2 TYPICAL ELEVATION AT MONITOR SUPPORT (MULTIPLE MONITORS/ BELOW WAYFINDING CLOUD)

1 TYP. ELEV. AT MONITOR SUPPORT (SINGLE MONITOR - WALL MOUNT)



PROJECT NO.: 80-750  
MEP PROJECT NO.: ---  
STRUCTURAL PROJECT NO.: ---  
CIVIL PROJECT NO.: ---

FedEx Office SM  
JOHNSON CITY, TN  
N ROAN RD  
2116 N ROAN ST., SUITE 1A  
JOHNSON CITY, TN 37601

CENTER NO: 0531 SITE ID NO: LX779947 PROGRAM: RTSZ

STIPULATION FOR REUSE  
THIS DRAWING WAS PREPARED FOR USE ON A SPECIFIC SITE JOHNSON CITY, TX 37601  
CONTEMPORANEOUSLY WITH ITS ISSUE DATE: 03/07/2020

AND IT IS NOT SUITABLE FOR USE ON A DIFFERENT PROJECT A LATER TIME. USE OF THIS DRAWING FOR REFERENCE ON ANOTHER PROJECT REQUIRES THE SERVICES OF PROFESSIONAL ARCHITECTS AND ENGINEERS. REPRODUCTION OF THIS DRAWING FOR USE ON ANOTHER PROJECT IS NOT ALLOWED UNLESS THE PROPERTY OF FED-EX OFFICE AND SPECIFICALLY THE PROPERTY OF FED-EX OFFICE. ANY REPRODUCTION IN ANY MANNER OR USE ON ANY OTHER WORK EXCEPT BY AGREEMENT WITH FED-EX OFFICE SHALL BE PROHIBITED. ANY DISCREPANCY IN DIMENSIONS PRIOR TO THE COMMENCEMENT OF ANY WORK, THESE DRAWINGS ARE INTENDED FOR DESIGN ONLY AND NOT FOR USE IN CONSTRUCTION UNLESS APPROVED BY GOVERNING AUTHORITIES.

PERMIT/ BID SET

NO.	REVISIONS	DATE:

PERMIT SET ISSUE DATE: 08/07/20  
BID SET ISSUE DATE: 08/07/20  
CONSTRUCTION SET ISSUE DATE: ---

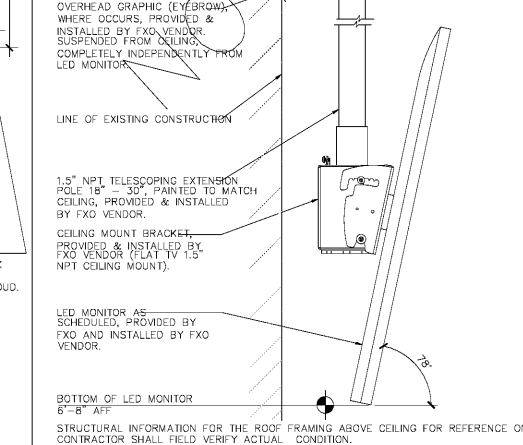
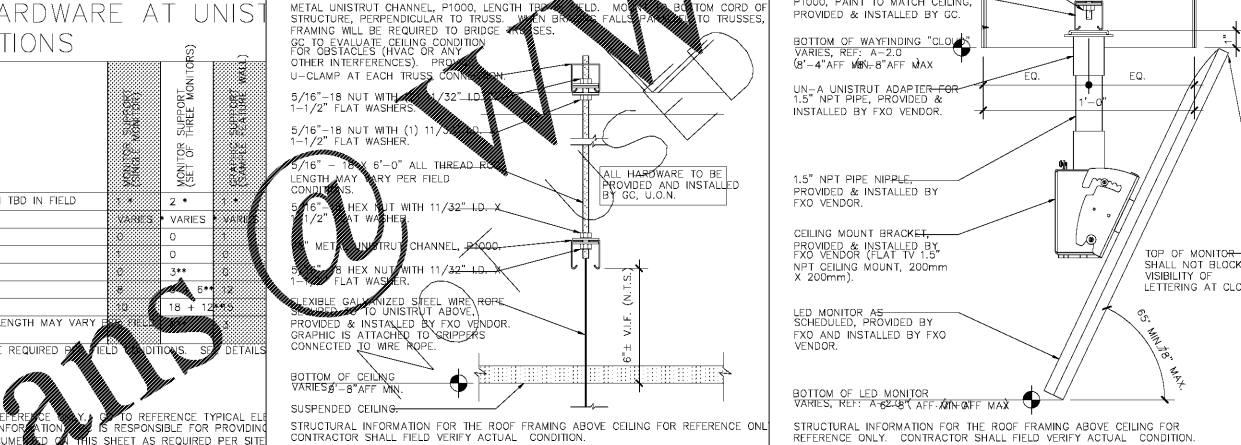
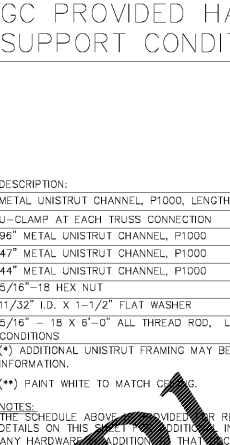
DRAWING TITLE: INTERIOR DETAILS

DRAWING NUMBER:

A-5.3

TEMPLATE (30 x 42) ISSUE: 10/26/19v2

3 TYP. ELEV. AT CLG-HUNG GRAPHIC SUPPORT (SAMPLE FEATURE WALL)



NOT USED

4 SUPPLY LIST

DESCRIPTION	UNITS	QUANTITY
METAL UNISTRUT CHANNEL, P1000, LENGTH TBD IN FIELD	4	2
U-CLAMP AT EACH TRUSS CONNECTION	VARIES	VARIES
96" METAL UNISTRUT CHANNEL, P1000	0	0
47" METAL UNISTRUT CHANNEL, P1000	0	0
44" METAL UNISTRUT CHANNEL, P1000	0	0
5/16"-18 HEX NUT	8	12
11/32" I.D. X 1-1/2" FLAT WASHER	10	18 + 12
5/16"-18 X 6'-0" ALL THREAD ROD, LENGTH MAY VARY PER FIELD	1	1

7 DETAIL AT GRAPHIC SUPPORT

4 DETAIL AT MONITOR SUPPORT

2 DETAIL AT MONITOR SUPPORT

NOT USED

NOT USED

NOT USED

NOT USED

NOT USED

NOT USED

Order Plans