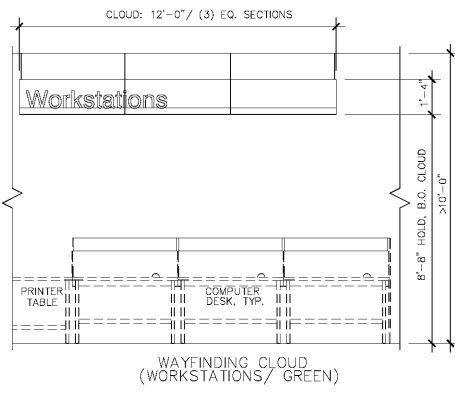
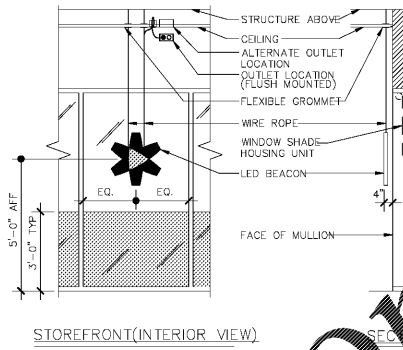


WAYFINDING CLOUD/ SCRIM/ MONITORS (PRINT/BLUE AND PACK PLUS/ ORANGE)

NOTE (TYP. AT WAYFINDING CLOUD):
 WHEN CEILING HEIGHT = 9'-8" TO 10'-0" AFF, WAYFINDING CLOUD TO BE INSTALLED AT CEILING.
 WHEN CEILING HEIGHT = 7'-10" TO 9'-7" AFF, EYEBROW TO BE USED IN LIEU OF WAYFINDING CLOUD/ SCRIM/ MONITOR(S). INSTALL CLOUD AT CEILING.
 WHEN CEILING HEIGHT <7'-10" AFF, NO OVERHEAD GRAPHICS TO BE INSTALLED.



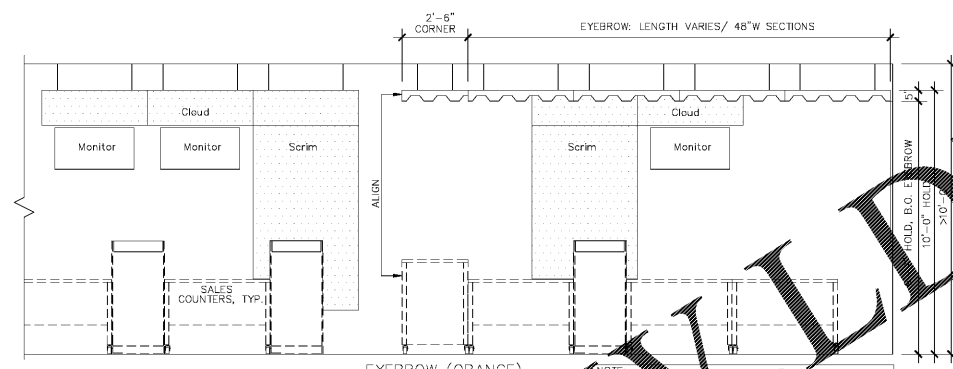
WAYFINDING CLOUD (WORKSTATIONS/ GREEN)



STOREFRONT (INTERIOR VIEW) SECTION

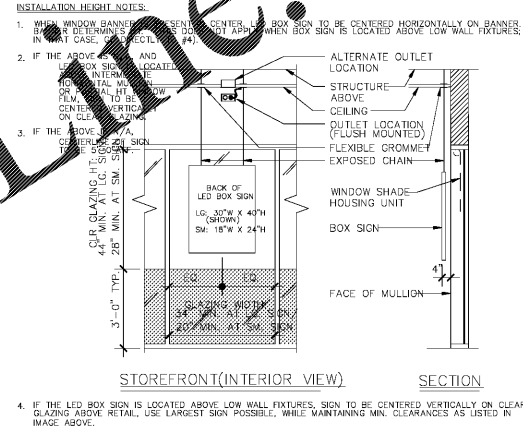
TYPICAL OVERHEAD GRAPHIC MOUNTING HEIGHTS: CLOUDS AT OPC

DET-GR/G2 3/8" = 1'-0" 5 LED BEACON - TYPICAL DETAIL DET-GR/G1 3/8" = 1'-0" 1



EYEBROW (ORANGE)

NOTE: WHEN CEILING HEIGHT = 7'-10" TO 10'-0" AFF, EYEBROW TO BE INSTALLED AT CEILING.
 WHEN CEILING HEIGHT <7'-10" AFF, NO OVERHEAD GRAPHICS TO BE INSTALLED.

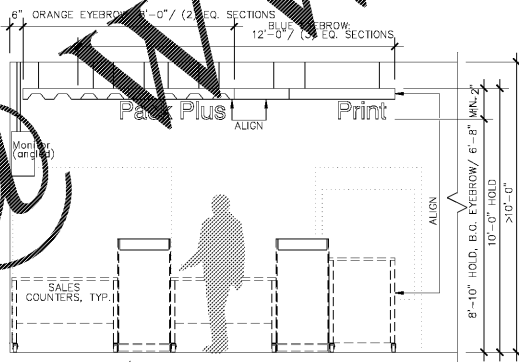


STOREFRONT (INTERIOR VIEW) SECTION

NOT USED

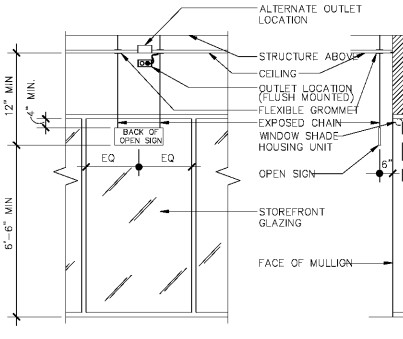
TYPICAL OVERHEAD GRAPHIC MOUNTING HEIGHTS: EYEBROW AT OPC

DET-GR/G2 3/8" = 1'-0" 6 LED BOX SIGN - TYPICAL DETAIL DET-GR/G2 3/8" = 1'-0" 2



EYEBROW (PACK PLUS/ ORANGE AND PRINT/ BLUE)

NOTE: WHEN CEILING HEIGHT = 7'-10" TO 10'-0" AFF, EYEBROWS TO BE INSTALLED AT CEILING.
 WHEN CEILING HEIGHT <7'-10" AFF, NO OVERHEAD GRAPHICS TO BE INSTALLED.

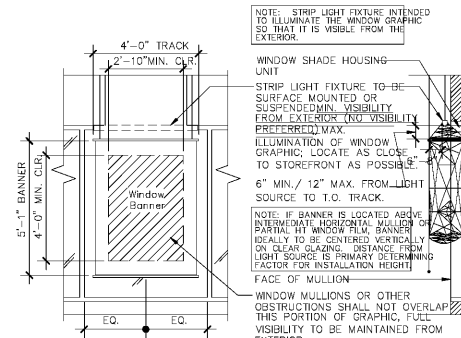


STOREFRONT (INTERIOR VIEW) SECTION

NOT USED

TYP. OVERHEAD GRAPHIC MOUNTING HEIGHTS: EYEBROWS AT 10'-0" AFF

DET-GR/G3 3/8" = 1'-0" 7 WINDOW BANNER - TYPICAL DETAIL DET-GR/G3 3/8" = 1'-0" 3



STOREFRONT (INTERIOR VIEW) SECTION

NOT USED

NOT USED

DET-GR/G4 3/8" = 1'-0" 8 WINDOW BANNER - TYPICAL DETAIL DET-GR/G4 3/8" = 1'-0" 4

SEAL
 DRAWING IS INCOMPLETE AND
 MAY NOT BE USED FOR
 REGULATORY APPROVAL,
 PERMIT, OR CONSTRUCTION.

CONSULTING ENGINEER

CENTER NO.: 0531 SITE ID NO.: LX779947 PROGRAM: RTSZ

STIPULATION FOR REUSE
 THIS DRAWING WAS PREPARED FOR USE ON A SPECIFIC SITE
 JOHNSON CITY, TX 37601
 03/07/2020
 AND IT IS NOT SUITABLE FOR USE ON A DIFFERENT PROJECT
 A LATER TIME. USE OF THIS DRAWING FOR REFERENCE ON
 ANOTHER PROJECT REQUIRES THE SERVICES OF PROJECT,
 LICENSED ARCHITECTS AND ENGINEERS. REPRODUCTION OF THE
 DRAWING FOR REUSE ON ANOTHER PROJECT IS NOT ALLOWED
 IS CONTRARY TO THE LAW. THESE DRAWINGS AND SPECIFICATIONS
 THE PROPERTY OF FedEx Office Inc. AND SHALL NOT BE RE-
 ANY MANNER OR USED ON ANY OTHER WORK EXCEPT BY WRITTEN
 AGREEMENT WITH FedEx Office. WHEN DIMENSIONS TAKE
 PREFERENCE OVER SCALED DIMENSIONS AND SHALL BE VERIFIED
 THE JOB SITE. THESE DRAWINGS ARE INTENDED FOR DESIGN AND
 CONSTRUCTION SETS ONLY AND NOT FOR CONSTRUCTION UNLESS APPROVED
 SUCH BY GOVERNING AUTHORITIES.

PERMIT/ BID SET

NO.	REVISIONS	DATE

PERMIT SET ISSUE DATE: 08/07/20
 BID SET ISSUE DATE: 08/07/20
 CONSTRUCTION SET ISSUE DATE: ---

DRAWING TITLE:
 GRAPHICS DETAILS

DRAWING NUMBER:
A-5.0C
 TEMPLATE (30 x 42) ISSUE: 10/28/19

Order Plans @ WWW.LEDLINE.COM