

SEAL

DRAWING IS INCOMPLETE AND MAY NOT BE USED FOR REGULATORY APPROVAL, PERMIT, OR CONSTRUCTION.

CONSULTING ENGINEER

IGD PROJECT NO.: 80-750
 MEP PROJECT NO.: ---
 STRUCTURAL PROJECT NO.: ---
 CIVIL PROJECT NO.: ---

FedEx OfficeSM

JOHNSON CITY, TN
 N ROAN RD
 2116 N ROAN ST, SUITE 1A
 JOHNSON CITY, TN 37601

CENTER NO: 0531 SITE ID NO: LX779947 PROGRAM: RTSZ

STIPULATION FOR REUSE
 THIS DRAWING WAS PREPARED FOR USE ON A SPECIFIC SITE JOHNSON CITY, TX 37601
 CONTEMPORANEOUSLY WITH ITS ISSUE DATE: 03/07/2020
 AND IT IS NOT SUITABLE FOR USE ON A DIFFERENT PROJECT OR ANOTHER PROJECT UNLESS THE SERVICES OF PROFESSIONAL ARCHITECTS AND ENGINEERS, REPRODUCTION OF THIS DRAWING FOR REUSE ON ANOTHER PROJECT IS NOT ALLOWED IS CONTRARY TO THE LAW. THESE DRAWINGS AND SPECIFICATIONS ARE THE PROPERTY OF FedEx Office and SHALL NOT BE REPRODUCED OR USED IN ANY MANNER OR FOR ANY OTHER WORK EXCEPT BY AGREEMENT WITH FedEx Office. DIMENSIONS TAKE PREFERENCE OVER SCALED DIMENSIONS AND SHALL BE VERIFIED ON SITE. FedEx Office is to be notified in writing of any discrepancies in dimensions prior to the commencement of any work. THESE DRAWINGS ARE INTENDED FOR DESIGN ONLY AND NOT FOR USE IN CONSTRUCTION UNLESS APPROVED BY GOVERNING AUTHORITIES.

PERMIT/ BID SET

? 2020 FedEx Office

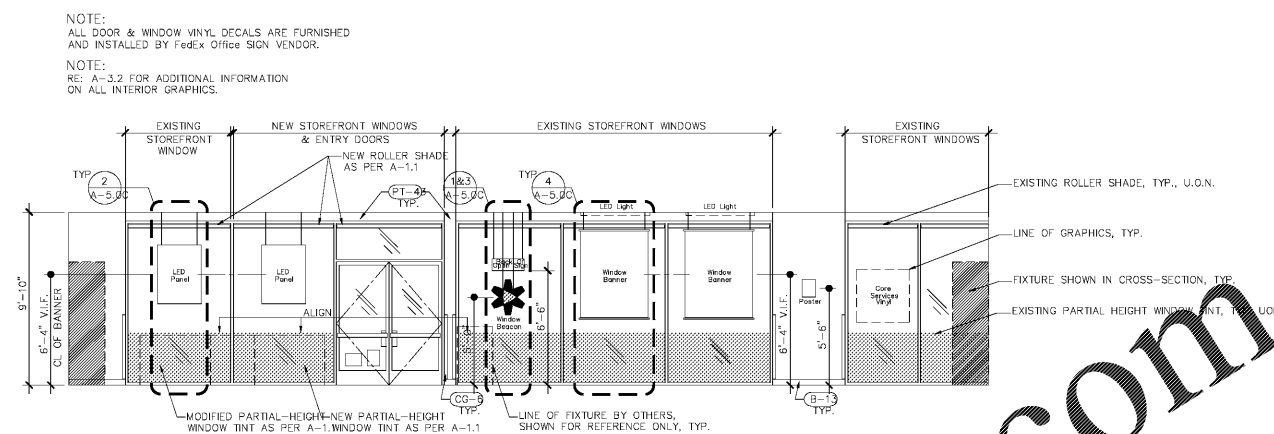
NO.	REVISIONS	DATE

PERMIT SET ISSUE DATE: 08/07/20
 BID SET ISSUE DATE: 08/07/20
 CONSTRUCTION SET ISSUE DATE: ---

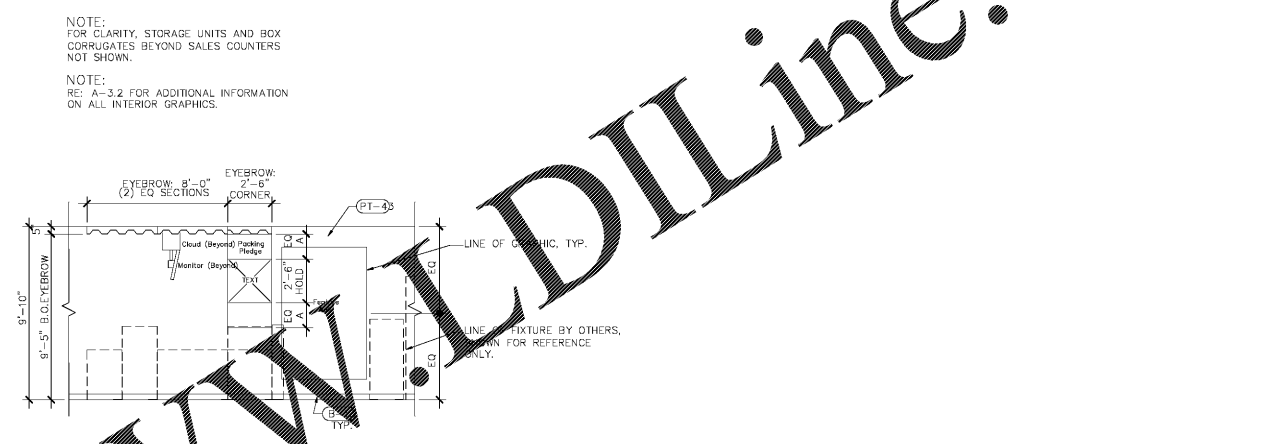
DRAWING TITLE:
INTERIOR ELEVATIONS

DRAWING NUMBER:
A-4.0

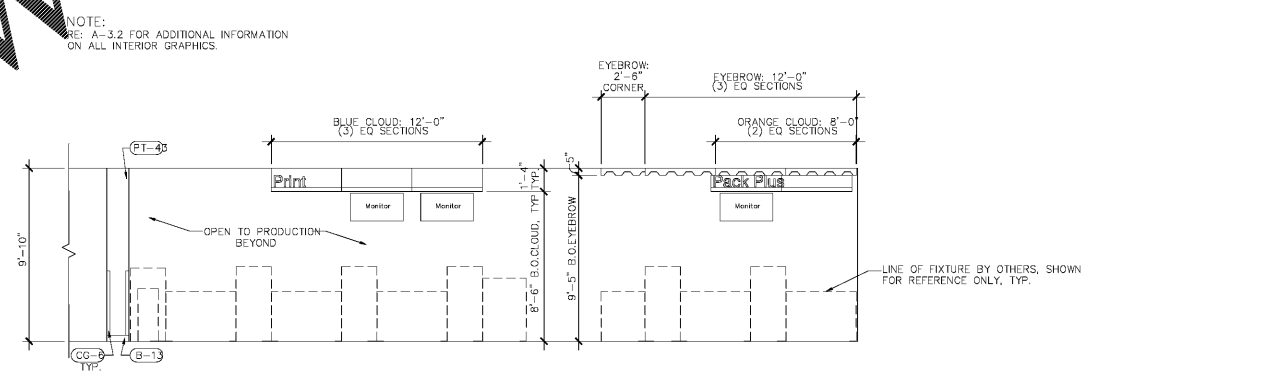
TEMPLATE (30 x 42) ISSUE: 10/26/19v2



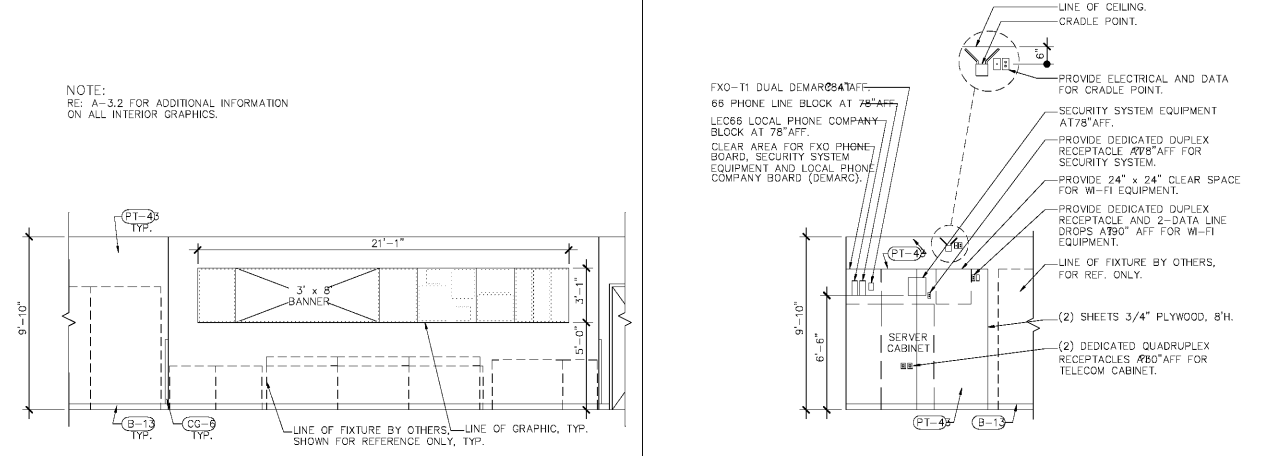
NOT USED ELEV-INT 1/4"=1'-0" 10 NOT USED ELEV-INT 1/4"=1'-0" 6 ENTRY: GRAPHICS ELEV-INT 1/4"=1'-0" 1



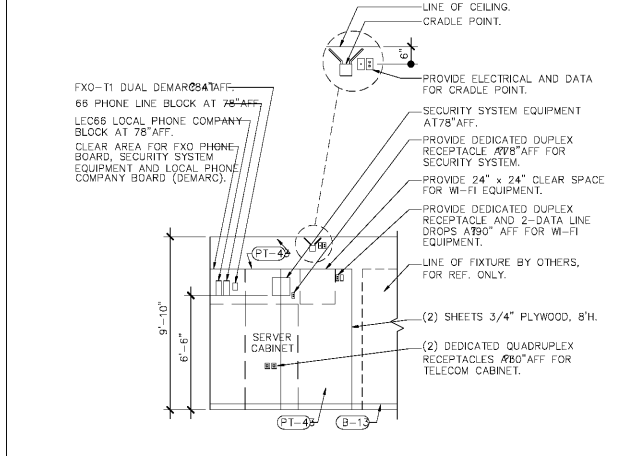
NOT USED ELEV-INT 1/4"=1'-0" 11 NOT USED ELEV-INT 1/4"=1'-0" 7 SALES COUNTERS: GRAPHICS ELEV-INT 1/4"=1'-0" 2



NOT USED ELEV-INT 1/4"=1'-0" 12 NOT USED ELEV-INT 1/4"=1'-0" 8 SALES COUNTERS: GRAPHICS ELEV-INT 1/4"=1'-0" 3



NOT USED ELEV-INT 1/4"=1'-0" 13 NOT USED ELEV-INT 1/4"=1'-0" 9 COMPUTER SERVICES: WALL GRAPHICS ELEV-INT 1/4"=1'-0" 5



NOT USED ELEV-INT 1/4"=1'-0" 14 NOT USED ELEV-INT 1/4"=1'-0" 10 HANDLING: SERVER CABINET ELEV-INT 1/4"=1'-0" 4

Order Plans @ WWW.LDILine.com