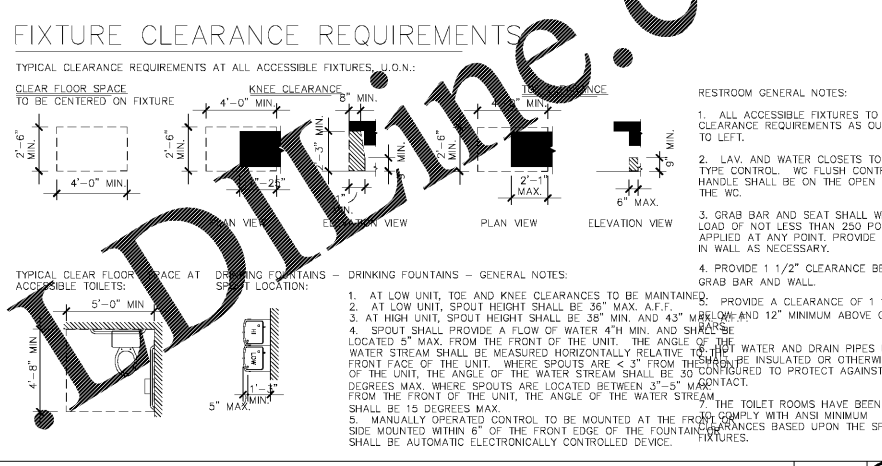
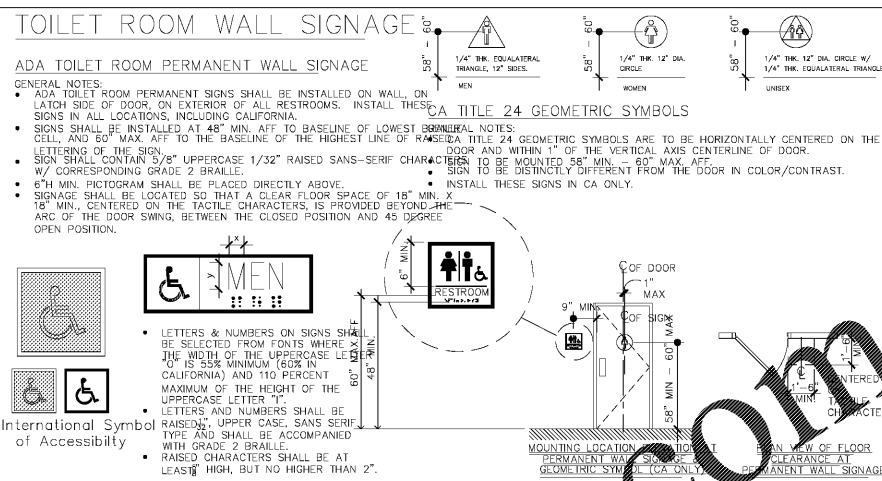


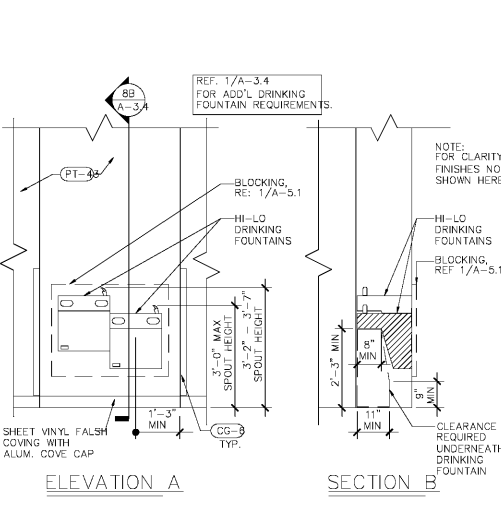
ENLARGED TOILET PLAN



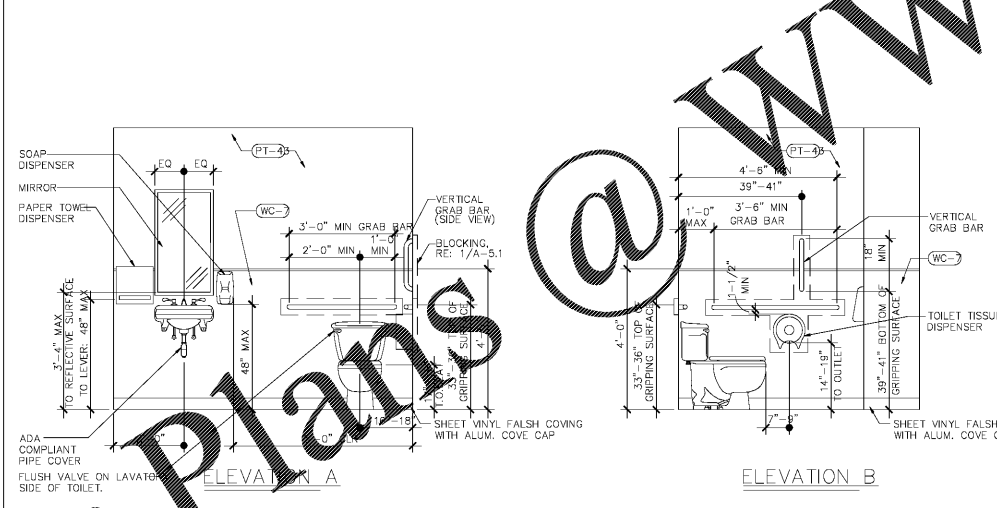
**NOTE:**  
ALL PLUMBING FIXTURES AND ACCESSORIES ARE NEW.

**NOTE:**  
RE: 1/A-3.4 FOR ACCESSIBILITY CLEARANCES & SIGNAGE REQUIREMENTS.

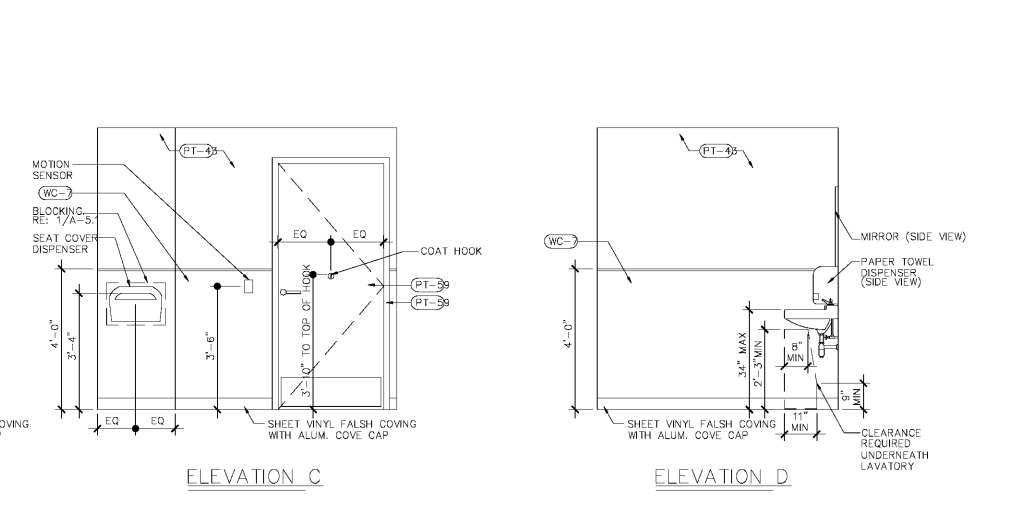
1/2"=1'-0" ACCESSIBILITY REQUIREMENTS



DRINKING FOUNTAIN ELEVATION



RESTROOM INTERIOR ELEVATIONS



MOP SINK ELEVATION

CORNER MOULDING DETAIL

**RESTROOM PLAN- RESPONSIBILITY SCHEDULE (REV. 03/19/)**

NO.	DESCRIPTION	DESIGNED	DRAWN	CHECKED	APPROVED
1	RESTROOMS EXHAUST FAN	GC	GC	GC	GC
2	EXHAUST FAN ROOF PENETRATION	GC	GC	GC	GC
3	BLOCKING	FXD	GC	GC	GC
4	VERITIV TOILET ROOM ACCESSORIES	FXD	GC	GC	GC
5	GENERAL TOILET ROOM ACCESSORIES	GC	GC	GC	GC
6	TOILET ROOM WALL SIGNAGE	GC	GC	GC	GC
7	TOILET PARTITIONS	GC	GC	GC	GC

**GENERAL TOILET ROOM ACCESSORY SPECIFICATIONS (REV. 03/19/)**

ITEM	MFR.	MODEL	ASI MODEL	BOBRICK MODEL	DESCRIPTION
GRAB BAR			3800 SERIES	B6806x	EXPOSED MOUNTING, 1 1/2" DIA, STAINLESS STEEL
MIRROR		18"x36"	0620	B165	STAINLESS STEEL CHANNEL FRAME MIRROR
PIPE COVER	TRUBRO	LAV GUARD			ADA COMPLIANT PIPE COVER, REF. MEP DRAWINGS
COAT HOOK				B2116	HEAVY DUTY CLOTHES HOOK WITH CONCEALED MOUNTING
SURFACE MOUNTED TRASH				B-279	SURFACE-MOUNTED WASTE RECEPTACLE

**VERITIV TOILET ROOM ACCESSORY I (REV. 04/15/)**

ITEM	EPRO #	DESCRIPTION
TOILET TISSUE DISPENSER	802206	DISPENSER, JUMBO 9" SINGLE ROLL TOILET TISSUE, 3-1/4" CORE, 1/1" CARTON
PAPER TOWEL DISPENSER	802206	LEVER TOWEL DISPENSER - ANY CORE SIZE, INCLUDING CORELESS, 8"W, 8"DIA ROLL, 1/1" CORE
SOAP DISPENSER	802208	GOJO 80-0 SERIES DISPENSER
TOILET SEAT COVER DISPENSER	202010	TOILET SEAT COVER DISPENSER, 3-3/4"H x 17-3/4"W x 17-1/4"D
AIR FRESHENER DISPENSER	802009	AIR FRESHENER DISPENSER

RESTROOM PLAN- RESPONSIBILITY SCHEDULE

1/2"=1'-0"

WALL BASE DETAIL

RESPONSIBILITY SCHEDULE

TOILET ACCESSORIES

PROJECT COORDINATOR  
  
 2641 IRVING BLVD.  
 DALLAS, TEXAS 75207  
 TEL: 214-698-6800

SEAL

DRAWING IS INCOMPLETE AND MAY NOT BE USED FOR REGULATORY APPROVAL, PERMIT, OR CONSTRUCTION.

CONSULTING ENGINEER

IDG PROJECT NO.: 80-790  
 MEP PROJECT NO.: ---  
 STRUCTURAL PROJECT NO.: ---  
 CIVIL PROJECT NO.: ---

**FedEx Office** SM  
 JOHNSON CITY, TN  
 N ROAN RD  
 2116 N ROAN ST, SUITE 1A  
 JOHNSON CITY, TN 37601

CENTER NO.: 0531  
 SITE ID NO.: LX779947  
 PROGRAM: RTSZ

STIPULATION FOR REUSE  
 THIS DRAWING WAS PREPARED FOR USE ON A SPECIFIC PROJECT IN JOHNSON CITY, TX 37601  
 CONTEMPORANEOUSLY WITH ITS ISSUE DATE: 03/07/2020  
 AND IT IS NOT SUITABLE FOR USE ON A DIFFERENT PROJECT OR A LATER TIME. USE OF THIS DRAWING FOR REFERENCE OR ON ANOTHER PROJECT REQUIRES THE SERVICES OF PROFESSIONAL ENGINEERS AND ARCHITECTS. REPRODUCTION OF THIS DRAWING FOR REUSE ON ANOTHER PROJECT IS NOT ALLOWED EXCEPT AS AUTHORIZED BY FEDEX OFFICE. ANY REUSE OF THIS DRAWING IN ANY MANNER OR USE ON ANY OTHER WORK EXCEPT BY THE AGREEMENT WITH FEDEX OFFICE. ANY REUSE OF THIS DRAWING WITHOUT THE AGREEMENT WITH FEDEX OFFICE SHALL BE AT THE USER'S RISK. DIMENSIONS AND SHALL BE WERE PREFERENCE OVER SCALED DIMENSIONS AND SHALL BE WERE ANY WORK THESE DIMENSIONS ARE INTENDED FOR DESIGN OR CONSTRUCTION AND NOT FOR USE IN CONSTRUCTION UNLESS APPROVED BY GOVERNING AUTHORITIES.

PERMIT/ BID SET

? 2020 FedEx Office

NO.	REVISIONS	DATE:

PERMIT SET ISSUE DATE: 08/07/20  
 BID SET ISSUE DATE: 08/07/20  
 CONSTRUCTION SET ISSUE DATE: ---

DRAWING TITLE: RESTROOM DETAILS & ENLARGED PLAN

DRAWING NUMBER: A-3.4

TEMPLATE (30 x 42) ISSUE: 10/26/19

Order Plans

@ WWWW Edline.com