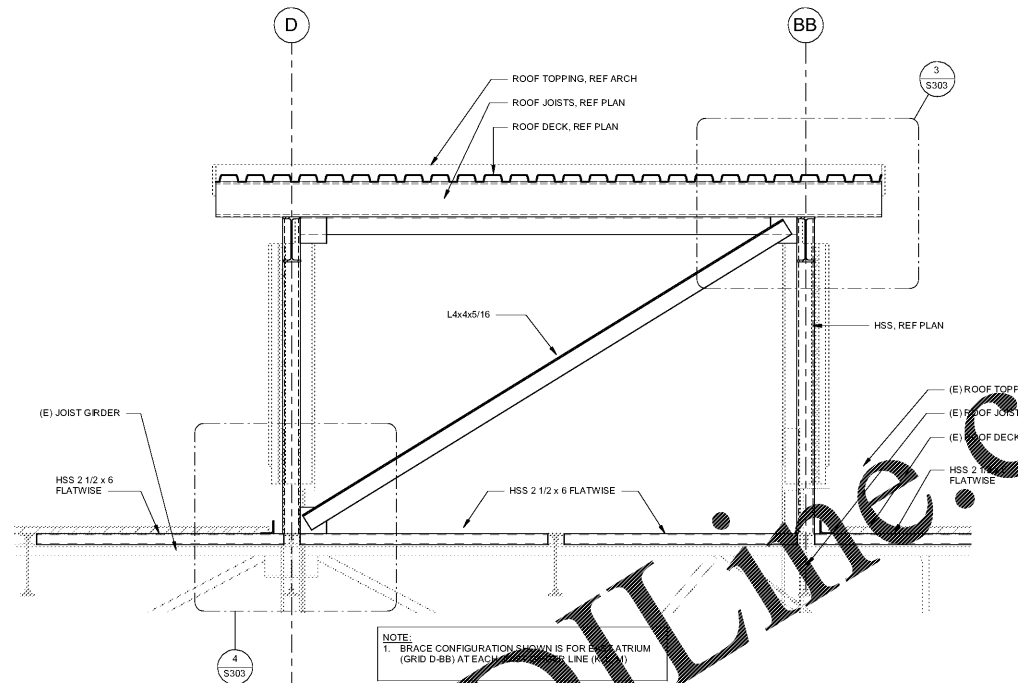
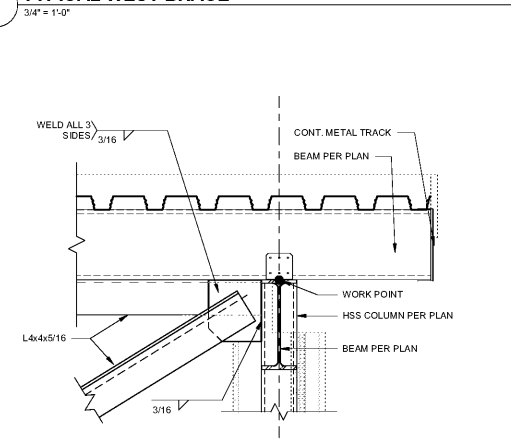


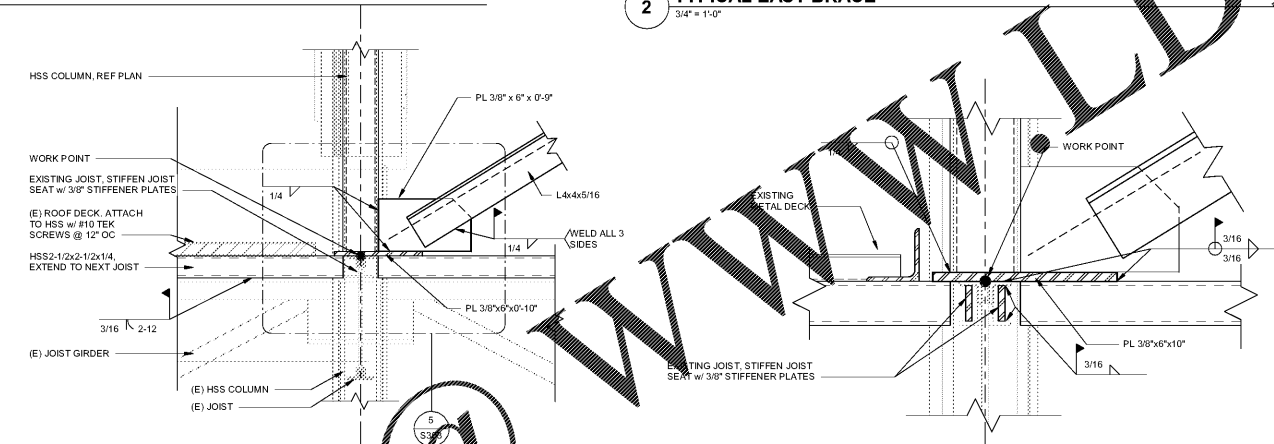
1 TYPICAL WEST BRACE
3/4" = 1'-0"



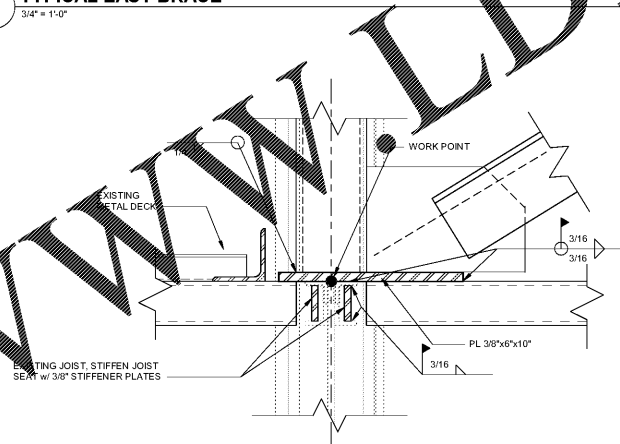
2 TYPICAL EAST BRACE
3/4" = 1'-0"



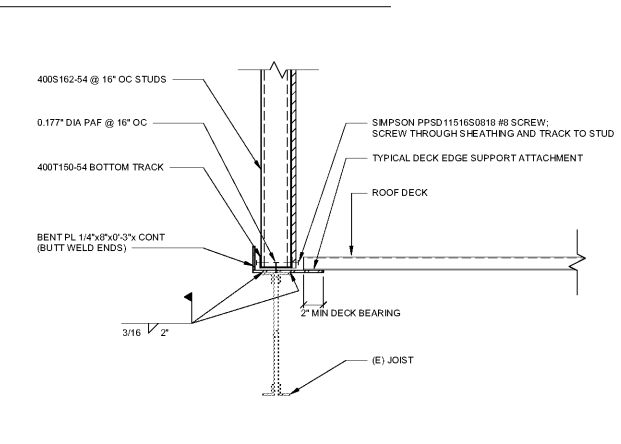
3 DETAIL
1 1/2" = 1'-0"



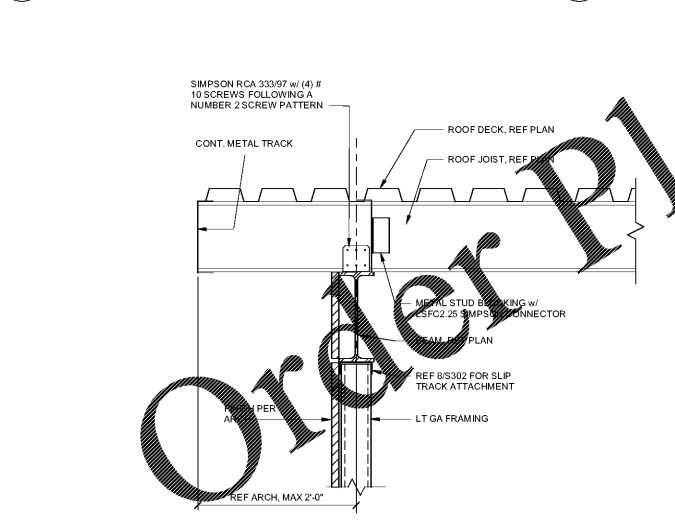
4 DETAIL
1 1/2" = 1'-0"



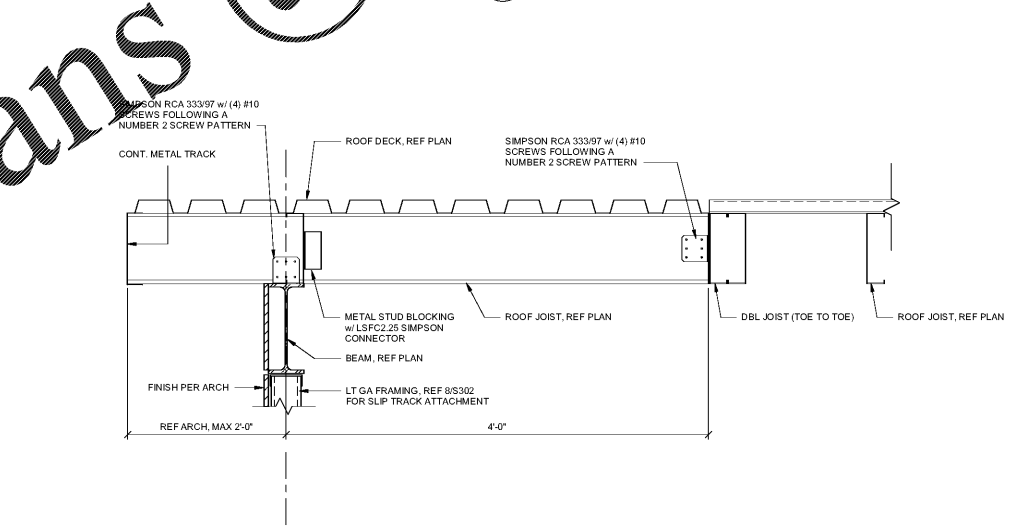
5 JOIST STIFFENER DETAIL
3" = 1'-0"



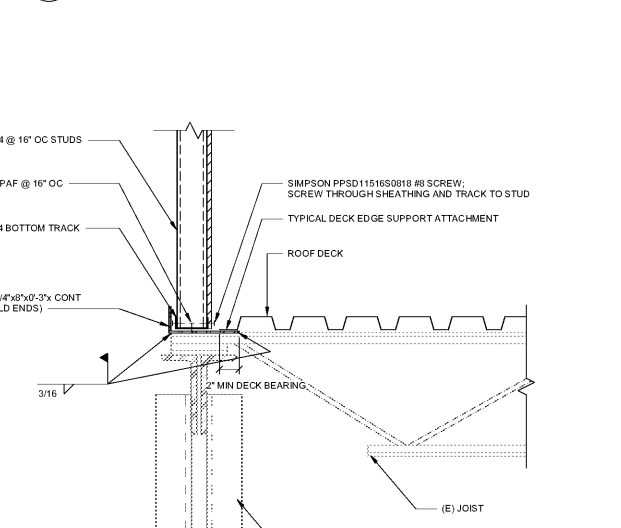
6 STUD TO DECK ATTACHMENT
1 1/2" = 1'-0"



7 SECTION
1 1/2" = 1'-0"



8 SECTION
1 1/2" = 1'-0"



9 STUD TO DECK ATTACHMENT
1 1/2" = 1'-0"

Order Plans @

WWW.LDLINE.COM

mc milan pazdan smith ARCHITECTURE
BRITT, PETERS ASSOCIATES
DON OGLESBY
THE OPPORTUNITY CENTER
8570 RIVERS AVE, N CHARLESTON, SC

SHEET ISSUE
Jan. 24, 2020 ISSUED FOR PERMIT
PRINCIPAL IN CHARGE: JSR
PROJECT ARCHITECT: JSR
DRAWN BY: TB
SHEET TITLE: SECTIONS & DETAILS
SHEET NO: PROJ. NO. 017348.00
S303