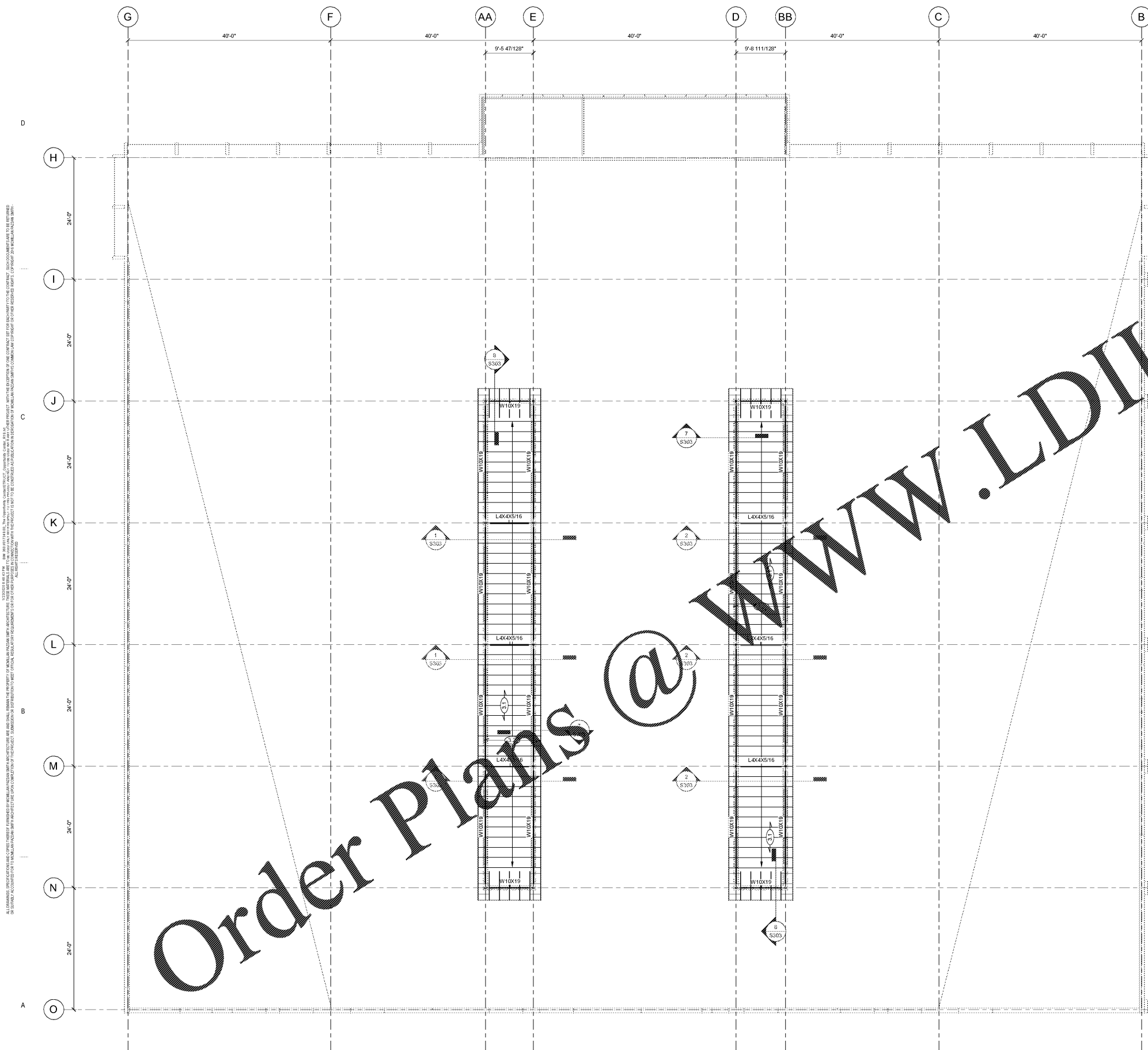
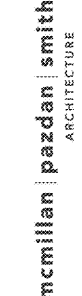



ATRIUM - SHEET NOTE SCHEDULE		#
REF PLANS AND DETAILS FOR SHEET NOTES REQUIRED; NOT ALL NOTES APPLICABLE TO THIS SHEET		
MARK	DESCRIPTION	
3.1	INDICATES SPAN DIRECTION OF 1.5B METAL DECK	
3.2	INDICATES SPAN DIRECTION OF 800S162-54 LT GA ROOF JOISTS @ 24" OC	





3.1 TYPICAL ROOF CONSTRUCTION:
 ALL STEEL ROOF DECK SHALL BE 1-1/2" 20 GAGE WIDE RIB GALVANIZED (G60) DECK, UNO.
 ERECT PER MANUFACTURER'S SPECIFICATION. FASTEN DECK USING 20#4 FASTENING
 PATTERN WITH 5/8" PUDDLE WELDS AND (2) #10 TEK SCREW SIDELAP FASTENERS

ATRIUM ROOF FRAMING PLAN
 1/8" = 1'-0"
 ROOF JOIST BEARING ELEV = +XX'-0"
 TOP OF STEEL BEARING ELEV = +XX'-X"
 REFERENCE
 - REFERENCE A-DWGS FOR ALL DIMENSIONS NOT ON PLAN
 - DO NOT SCALE
 - ALL DIMENSIONS ARE TO FACE OF STUD (UNO)
 (2#) DENOTES KEY NOTE TYPE, REF SCHED THIS SHIT


mcmillan pazdan smith
 ARCHITECTURE
 atlanta charleston charlotte greenville spartanburg
 1000 Peachtree Street, NE
 Atlanta, GA 30309
 404.525.8222
 www.mcpas.com


BRITT, PETERS & ASSOCIATES
 ARCHITECTS
 1000 Peachtree Street, NE
 Atlanta, GA 30309
 404.525.8222
 www.britt-peters.com

DON OGLESBY
THE OPPORTUNITY CENTER
 8570 RIVERS AVE, N CHARLESTON, SC

SHEET ISSUE
 Jan. 24, 2020 ISSUED FOR PERMIT

PRINCIPAL IN CHARGE: JSR
 PROJECT ARCHITECT: JSR
 DRAWN BY: TB
 SHEET TITLE:
ATRIUM ROOF FRAMING PLAN

SHEET NO. PROJ. NO.
 017349.00

S103