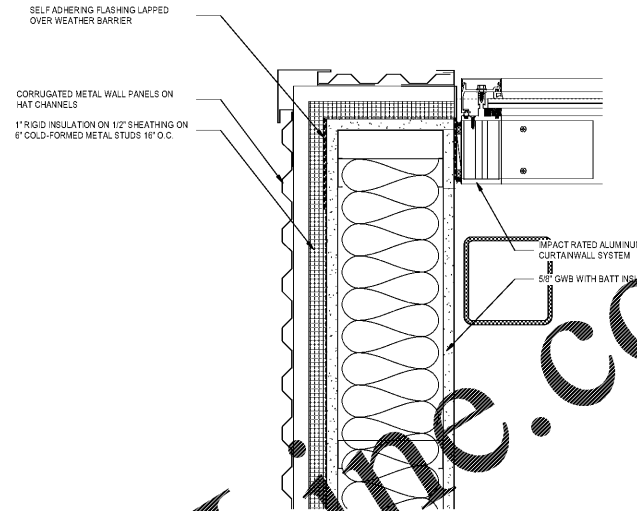


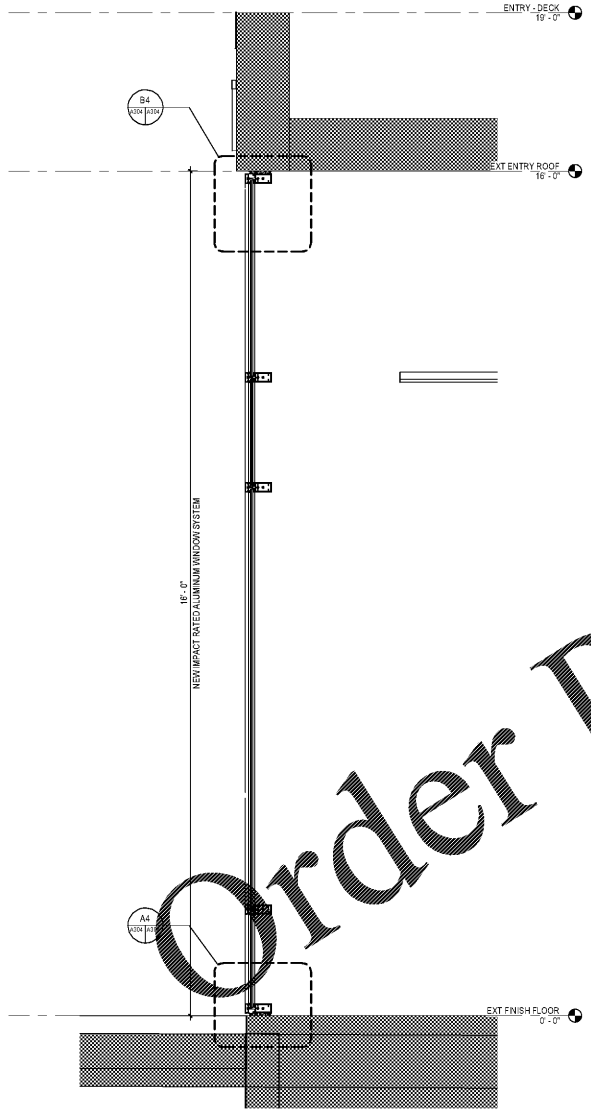


D1 EXISTING PHOTO - ENTRY CURTAINWALL  
1 1/2" x 1'-0"

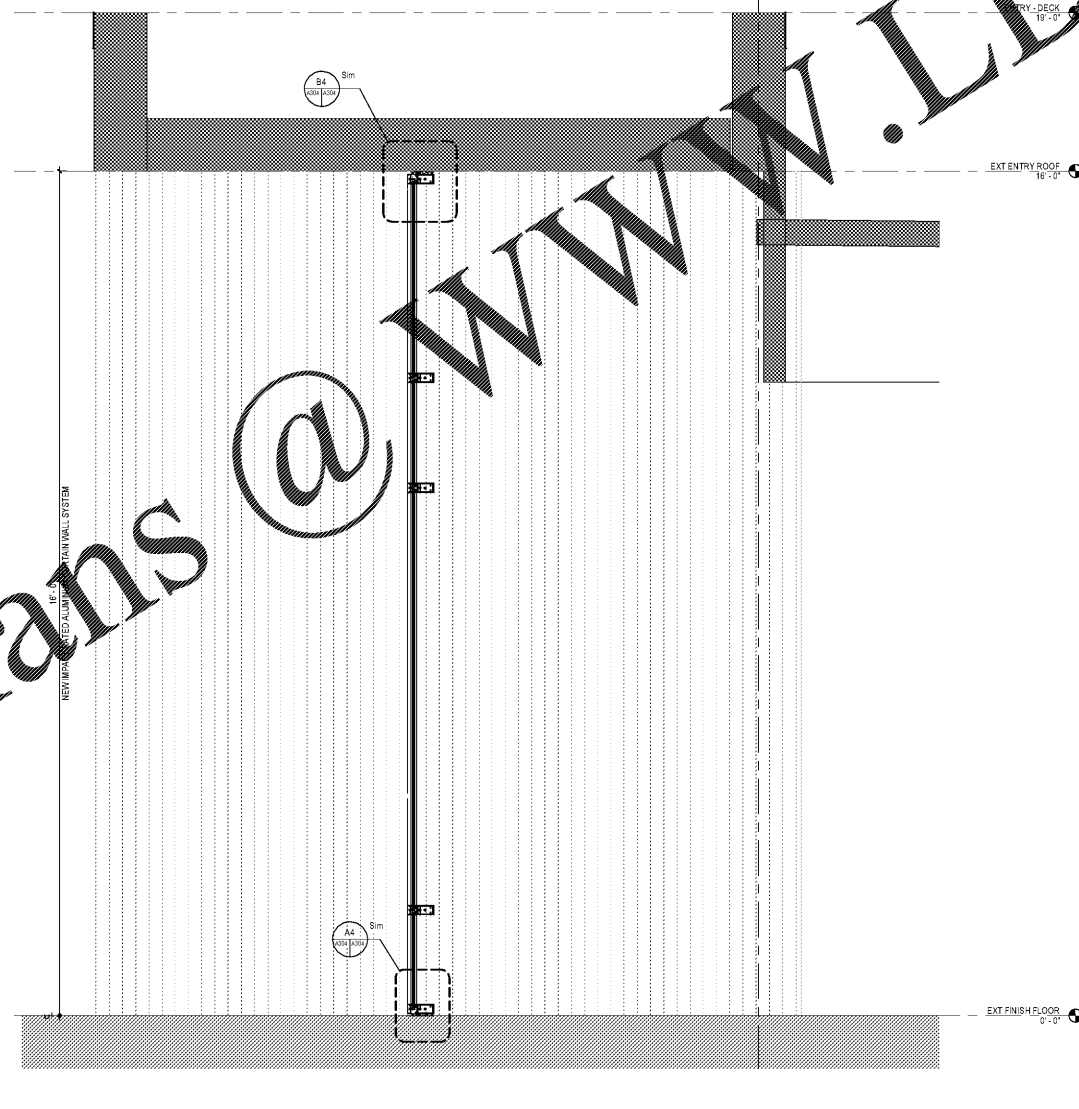
CONTRACTOR TO REMOVE EXISTING CURTAINWALL SYSTEM AND LOWER CANOPY IN ITS ENTIRETY AND PREPARE SUBSTRATE FOR THE INSTALLATION OF NEW CURTAINWALL SYSTEM.



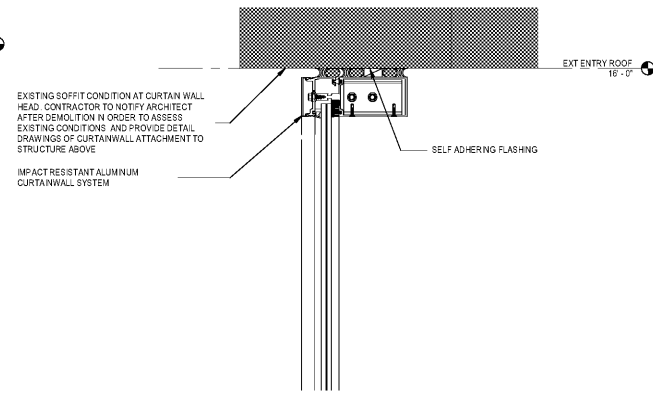
C4 METAL WALL PANEL DETAIL AT ENTRY CURTAINWALL  
3" x 1'-0"



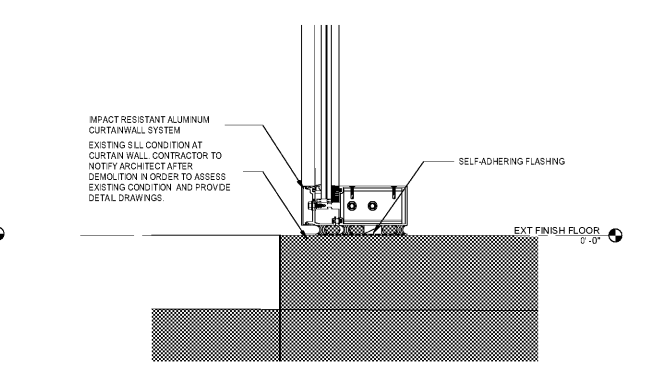
A1 SECTION - ENTRY STOREFRONT SYSTEM (TYP.)  
3/4" x 1'-0"



A2 SECTION - ENTRY STOREFRONT SYSTEM  
3/4" x 1'-0"



B4 SECTION - ENTRY STOREFRONT SYSTEM - HEAD DETAIL  
3" x 1'-0"



A4 SECTION - ENTRY STOREFRONT SYSTEM - SILL DETAIL  
3" x 1'-0"

SHEET ISSUE

Revision Number	Revision Date	Revision Description

PRINCIPAL IN CHARGE:  
PROJECT ARCHITECT:  
DRAWN BY:  
SHEET TITLE:  
WINDOW D PARTIAL  
ELEVATION AND  
SECTION  
017348.00