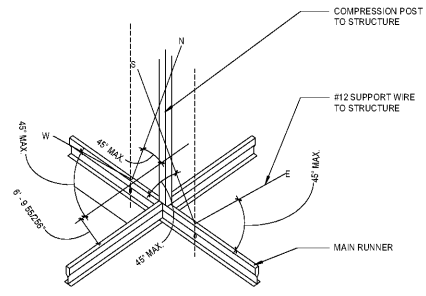


CEILING DETAILS

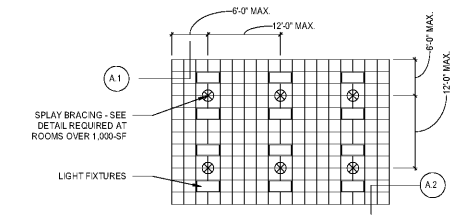
CATEGORY	REQUIREMENTS
CONNECTIONS/HANGERS	NOTE: USE HEAVY DUTY GRID
INTERSECTION STRENGTH	100 LBS
HANGERS	#12 @ 4' O.C./#10 @ 5' O.C.
PLUMB	NOT MORE THAN 1 IN 6 OR 10' FROM VERT.
CONNECTION DEVICES	MIN. 100 LBS
PERIMETER WIRES-ALL WALLS	MAXIMUM 8' FROM ALL WALLS
SPLAY BRACING	NOTE: USE HEAVY DUTY GRID
4 WIRE CLUSTERS	REQUIRED OVER 1000 SF.
FIRST POINT	MAX. 8' FROM PERIMETER WALLS
SPACING	12' O.C.
CONNECTION STRENGTH	MIN. 200 LBS
COMPRESSION POSTS	REQUIRED (CONDUITS/STEEL STUD)
MOLDING/PARTITIONS	NOTE: USE HEAVY DUTY GRID
MOLDING	MIN. 7/8"
ATTACH (NO MOVEMENT)	REQUIRED @ 2 ADJACENT WALLS
CLEARANCE-FREE TO MOVE	3/8" @ 2 ADJACENT WALLS
SPACER BARS	REQUIRED - F.G.L.P.S. NOT USED
PARTITION ATTACHMENT	ALLOWED WITH BRACING, UNDER 2,500 SF.
LIGHT FIXTURES	NOTE: USE HEAVY DUTY GRID
LIGHTS LESS THAN 50 LBS	2 CONNECTORS/2 SLACK WIRES
LIGHTS GREATER THAN 50 LBS	SUSPEND FROM STRUCTURE, NOT GRID
MECHANICAL < 20 LBS	ATTACHED TO GRID
MECH > 20 LBS < 50 LBS	2 SLACK WIRES
MECHANICAL > 50 LBS	SUSPEND FROM STRUCTURE, NOT GRID



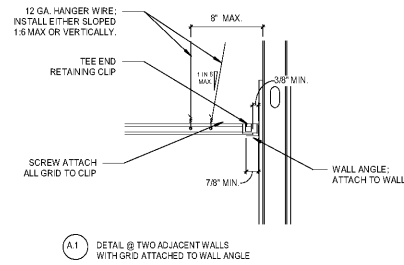
SPLAY BRACING DETAIL (REQUIRED @ ROOMS OVER 1,000-SF)

SEISMIC REQUIREMENTS FOR CEILINGS 144 GSF OR GREATER

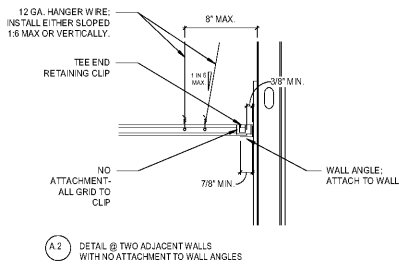
ATTACHMENT NOTES:
 CEILING MOUNTED AIR TERMINALS OR SERVICES WEIGHING 20 LBS OR LESS SHALL BE POSITIVELY ATTACHED TO THE CEILING SUSPENSION MAIN RUNNERS OR CROSS RUNNERS.
 AIR TERMINALS OR SERVICES WEIGHING MORE THAN 20 LBS AND LESS THAN 50 LBS SHALL HAVE, IN ADDITION TO THE ATTACHMENTS NOTED ABOVE, TWO NO. 12 GAUGE HANGERS CONNECTED TO THE CEILING SYSTEM HANGERS OR TO THE STRUCTURE ABOVE. WIRES MAY BE SLACK.
 AIR TERMINALS OR SERVICES WEIGHING MORE THAN 50 LBS SHALL BE SUPPORTED DIRECTLY FROM THE STRUCTURE ABOVE BY APPROVED HANGERS.



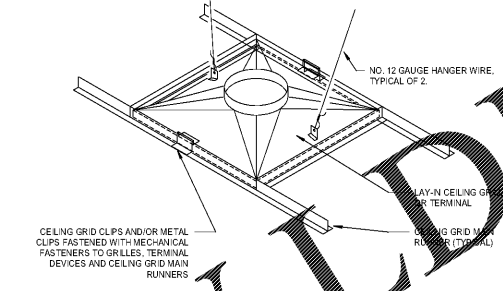
TYPICAL GRID PERIMETER DETAIL LOCATIONS



A1 DETAIL @ TWO ADJACENT WALLS WITH GRID ATTACHED TO WALL ANGLE

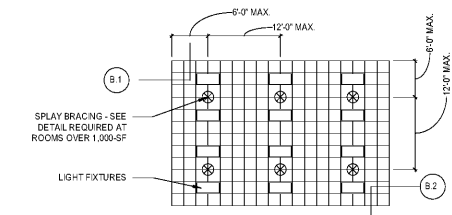


A2 DETAIL @ TWO ADJACENT WALLS WITH NO ATTACHMENT TO WALL ANGLES

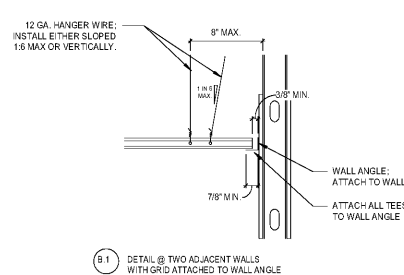


AIR TERMINAL / SERVICE SEISMIC RESTRAINT DETAIL

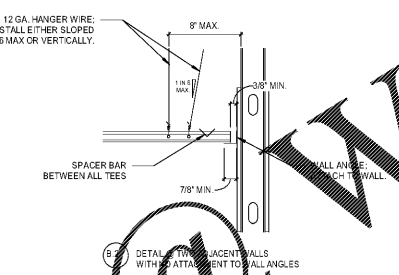
NOTE:
 FOR LIGHT FIXTURES WEIGHING MORE THAN 50 LBS, ALL #12 GAUGE HANGER WIRE ATTACHED TO STRUCTURE ABOVE, ONE AT EACH CORNER. LIGHT FIXTURES WITH A TOTAL OF FOUR HANGER WIRES MUST BE INSTALLED VERTICALLY, BUT NOT MORE THAN 3/4\"/>



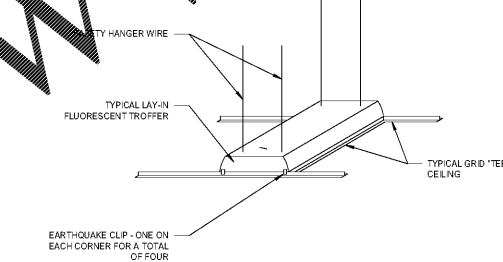
TYPICAL GRID PERIMETER DETAIL LOCATIONS



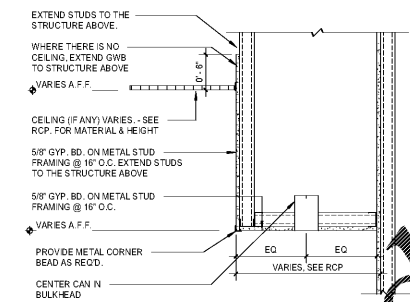
B1 DETAIL @ TWO ADJACENT WALLS WITH GRID ATTACHED TO WALL ANGLE



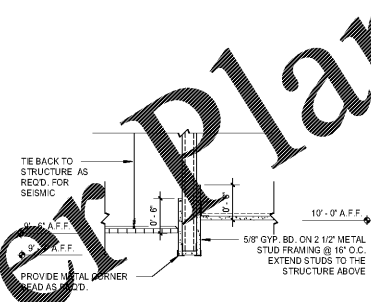
B2 DETAIL @ TWO ADJACENT WALLS WITH NO ATTACHMENT TO WALL ANGLES



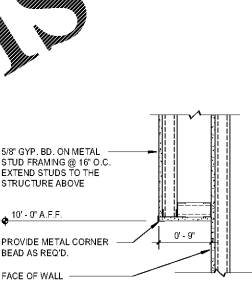
LIGHT FIXTURE RESTRAINT DETAIL



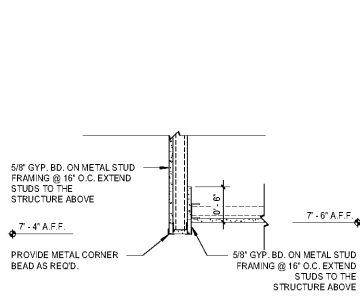
B1 BULKHEAD W/ CAN 1" = 1'-0"



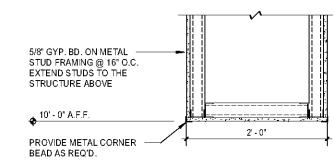
B2 CEILING DROP AT TRAINING 1" = 1'-0"



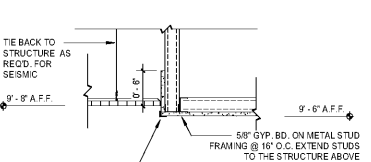
B3 BULKHEAD AT CORRIDOR 1" = 1'-0"



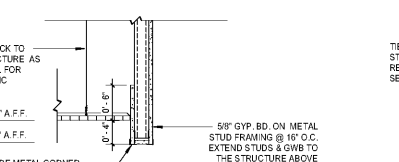
B4 HEADER AT PRINT STATION 1" = 1'-0"



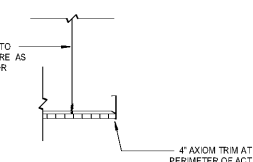
A1 BULKHEAD AT PORTAL 1" = 1'-0"



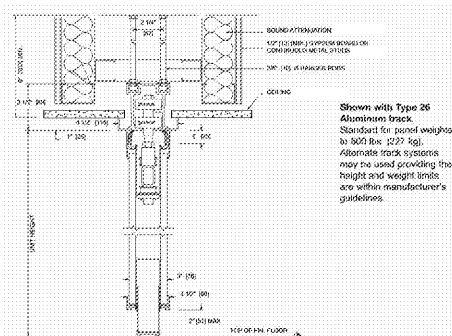
A2 CONFERENCE AT ACT 1" = 1'-0"



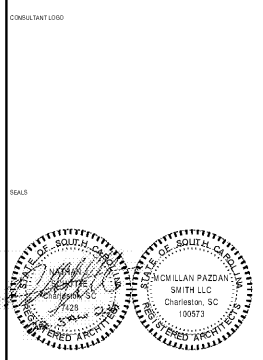
A3 HEADER AT CORRIDOR AND OPEN OFFICE 1" = 1'-0"



A4 AXIOM PERIMETER TRIM 1" = 1'-0"



A5 OPERABLE WALL CEILING DETAIL 1" = 1'-0"



THE OPPORTUNITY CENTER
 8570 RIVERS AVE. N. CHARLESTON, SC

SHEET ISSUE

Revision Number	Revision Date	Revision Description

PRINCIPAL IN CHARGE: PROJECT ARCHITECT
 DRAWN BY: Author
 APPROVER: Checker

SHEET TITLE: CEILING DETAILS

PROJ. NO. 017340.00

SHEET NO.

A201