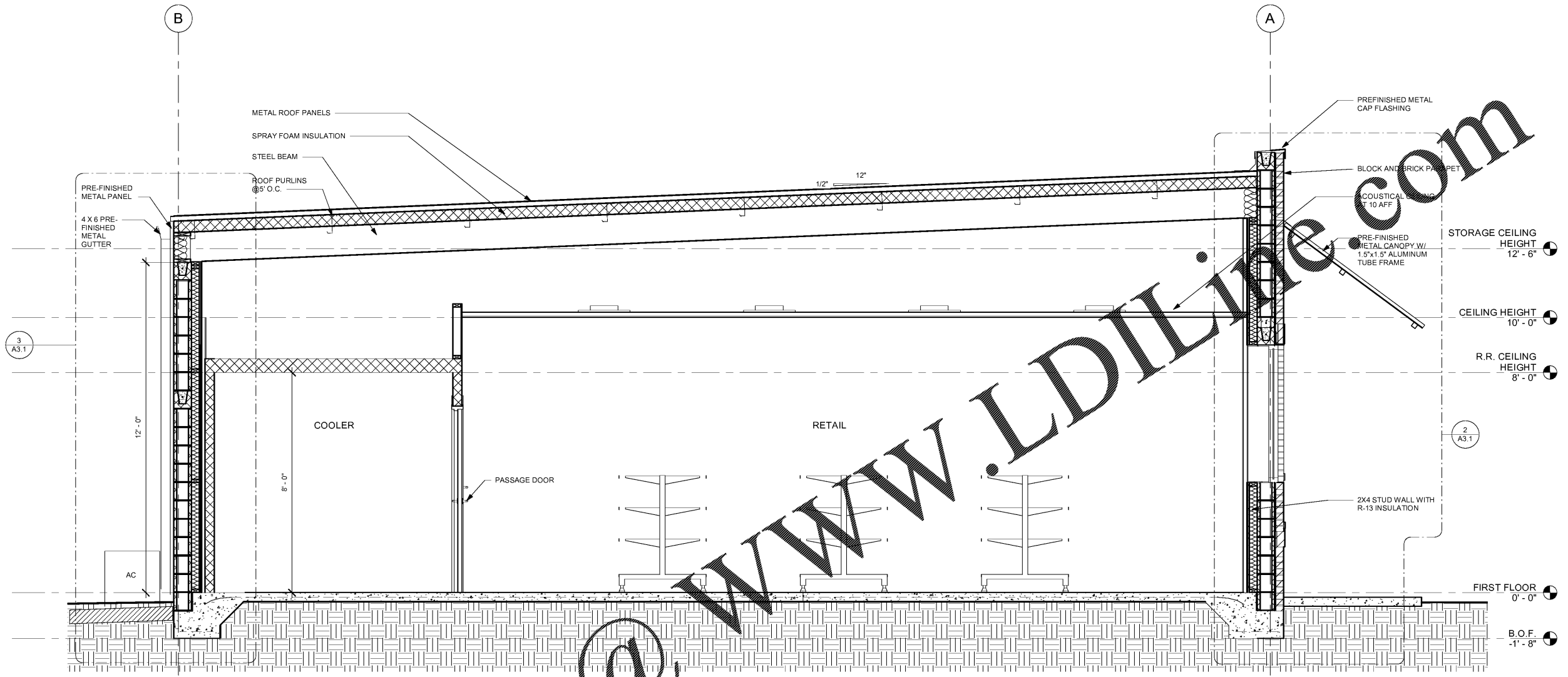
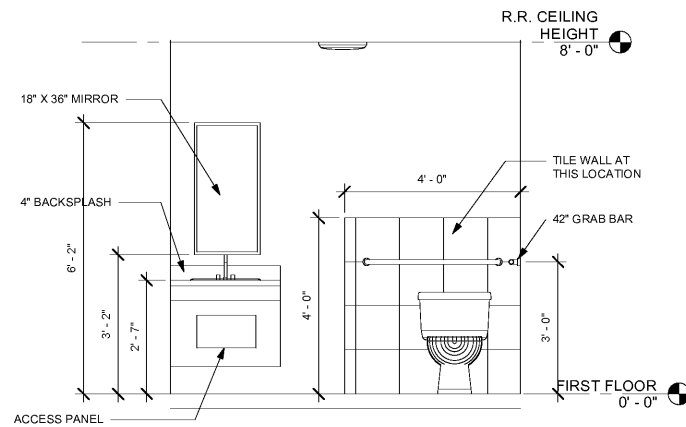


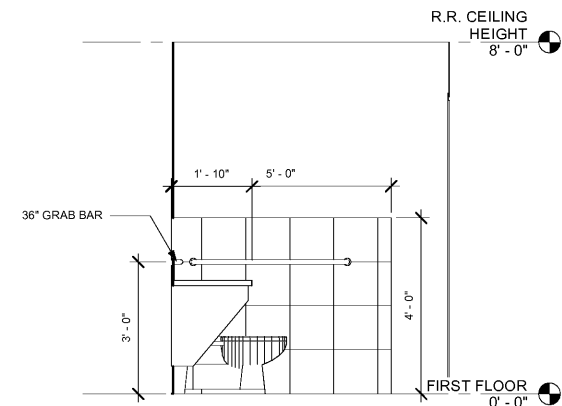
**CONVENIENCE STORE for
VIPULKUMAR PATEL
RINCON, GEORGIA**



1 BUILDING SECTION 1
A3 1/2" = 1'-0"



2 REST ROOM ELEVATION 1
A3 1/2" = 1'-0"



3 RESTROOM ELEVATION 2
A3 1/2" = 1'-0"

SCHEDULE OF REVISIONS

#	DATE

PROJECT NUMBER: 2009
PROJECT DATE: 4-10-2020
DRAWN BY: Author
APPROVED BY: