

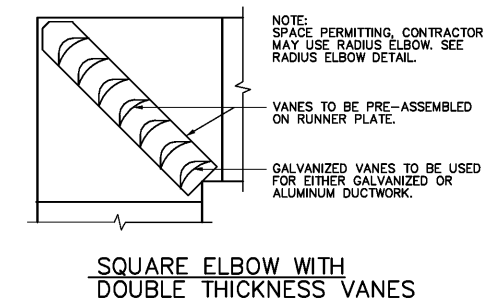
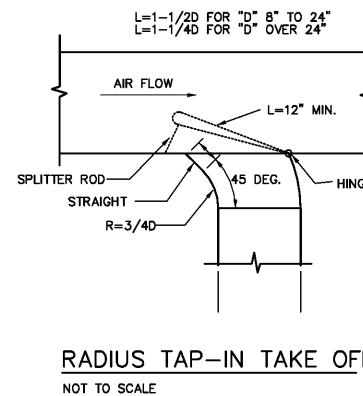
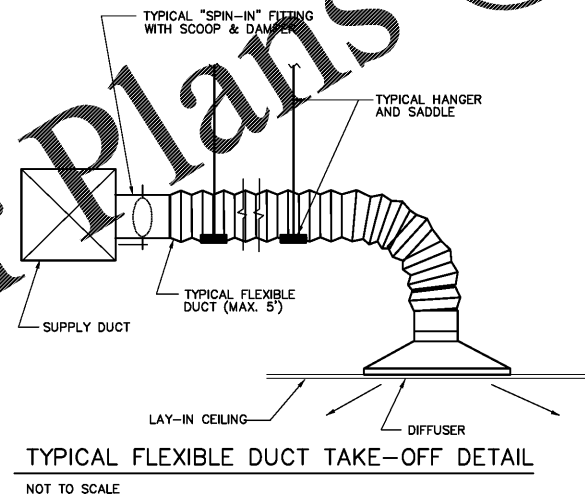
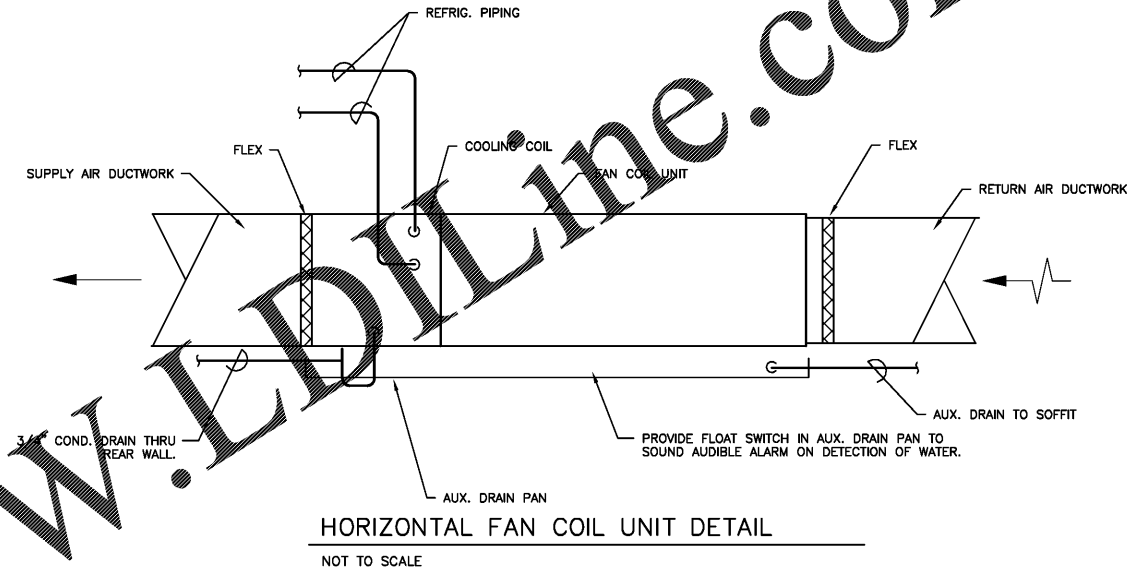
FACTORY FABRICATED SPLIT HEAT PUMP SYSTEMS																		
DESIG	LOCATION	INDOOR UNIT							OUTDOOR UNIT						REMARKS			
		CFM	EXT SP INCHES W.C.	MAX MOTOR HP	SENSIBLE CAPACITY BTUH	AIR ON TEMP. IN °F		ELECTRIC HEAT KW	OUTSIDE AIR CFM	BASIS OF DESIGN	COOLING		HEATING			BASIS OF DESIGN	MIN. SEER	
						DB	WB				TOTAL CAPACITY BTUH	AMBIENT AIR °F	MINIMUM SATURATED SUCTION TEMP. °F	TOTAL CAPACITY BTUH				AMBIENT AIR °F
FCU-1/HP-1	CLG./ROOF	1,200	0.60	1/2	27,920	80	67	15.0	385	FX4DNF037	34,200	95°F	-	35,000	47°F	CARRIER 25HH4A36	14.0	SEE NOTES
FCU-2/HP-2	CLG./ROOF	1,200	0.60	1/2	27,920	80	67	15.0	385	FX4DNF037	34,200	95°F	-	35,000	47°F	CARRIER 25HH4A36	14.0	SEE NOTES

- STATIC PRESSURE IS EXTERNAL ONLY AND DOES NOT INCLUDE COILS, UNIT CASINGS, AND OTHER INTERNAL COMPONENTS OF THE UNIT.
- PROVIDE ALLEN BRADLEY 709 HOA STARTER FOR EACH MOTOR.
- MOTOR EFFICIENCY SHALL BE EQUAL TO OR ABOVE GOULD E-PLUS.
- TOTAL STATIC PRESSURE LOSS SHALL BE SCHEDULED PRESSURE LOSSES PLUS ALL OTHER STATIC PRESSURE LOSSES APPLICABLE TO THE AIR HANDLING UNIT CONFIGURATION.
- PROVIDE ALL UNITS WITH SMOKE DETECTORS IN THE SUPPLY AND THE RETURN OF EACH UNIT. PROVIDE AUDIBLE AND VISUAL ALARM FOR HVAC SMOKE DETECTORS.
- OUTSIDE HEAT PUMP TO BE LOCATED ON THE ROOF ON CONCRETE PAD.
- OUTSIDE AIR IS BASED ON AN OCCUPANCY OF 70 PEOPLE PER 1000 S.F., 7.5 CFM PER PERSON PLUS 0.18 CFM PER SQUARE FOOT. I.A.W. IMC 2012, SECTION 403.3  
25 PEOPLE X 7.5 CFM/PERSON = 188 CFM. 370 S.F. X 0.18 CFM/S.F. (188 + 67 = 255 CFM MIN.)

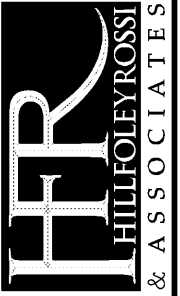
DIFFUSER SCHEDULE				
MARK	A	B	C	D
FACE SIZE	24x24	24x24	12x12	12x12
NECK SIZE	SHOWN	22x22	SHOWN	10x10
FRAME	LAY-IN	LAY-IN	LAY-IN	LAY-IN
DAMPER	O.B.D.	-	O.B.D.	-
MANUFACTURER MODEL NO.	TITUS TMS	TITUS 50F	TITUS TMS	TITUS 50F

FAN SCHEDULE												
DESIG	LOCATION	DESCRIPTION	SERVICE	CFM	EXT SP INCHES WC	APPROX MOTOR HP	TYPE DRIVE	NOM WHEEL DIA INCHES	MAX RPM	MAX TIP SPEED FPM	BASIS OF DESIGN	REMARKS
EF-1	AS SHOWN	CLG	TOILET EXHAUST	70	0.25	49W	DIRECT	-	-	-	GREENHECK SPA-90	SEE NOTES
EF-2	AS SHOWN	PRV	VENTILATION	150	0.25	1/60	DIRECT	-	-	-	GREENHECK G70	SEE NOTES

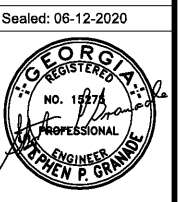
- MOTOR EFFICIENCY SHALL BE EQUAL TO OR ABOVE GOULD E-PLUS.
- ROUTE DUCTWORK FOR EF-1 EF-2 THRU ROOF TO ROOF CAP.
- PROVIDE ROOF CURB FOR EF-2 AND INTERLOCK WITH FAN COIL UNITS.



Order Plans @ www.LDOnline.com



**ARCHITECTURE ENGINEERING**  
3680 Pleasant Hill Road  
Suite 200  
Duluth, Georgia 30096  
p 770.622.9858  
f 770.622.9535  
www.hillfoleyrossi.com



Suite 101 - Village Podiatry Centers  
Sugar Hill Professional Park,  
4749 Nelson Brogdon Blvd., Bldg. 300 Suite 101  
Sugar Hill, GA, 30518  
Owner:  
DR. CLIFF JOHNSON  
Phone: 678-643-1742

NOT ISSUED FOR CONSTRUCTION

ISSUED / REVISIONS:

DATE	DESCRIPTION:

DETAILS & SCHEDULES

**M201**  
HFR 20-164.00

GRANADE ENGINEERING GROUP, LLC  
Consulting Engineers  
12345 Greenmont Walk • Alpharetta, Georgia 30009  
Phone: 678-520-8663 GEG #20117