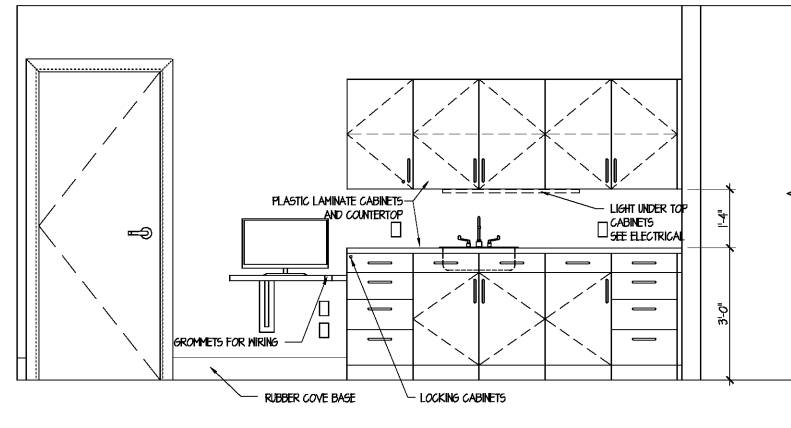
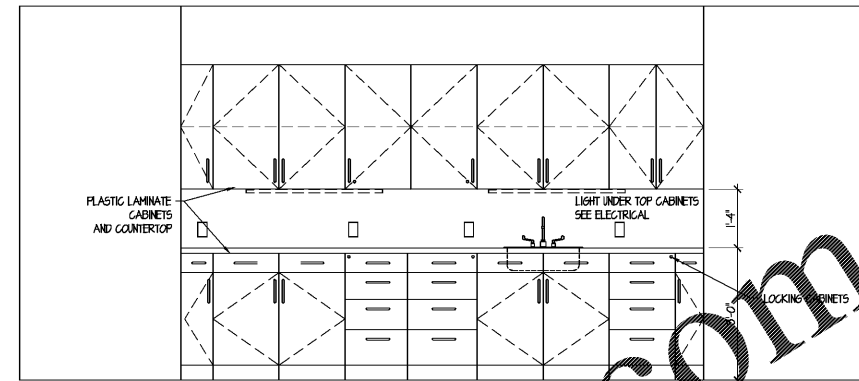


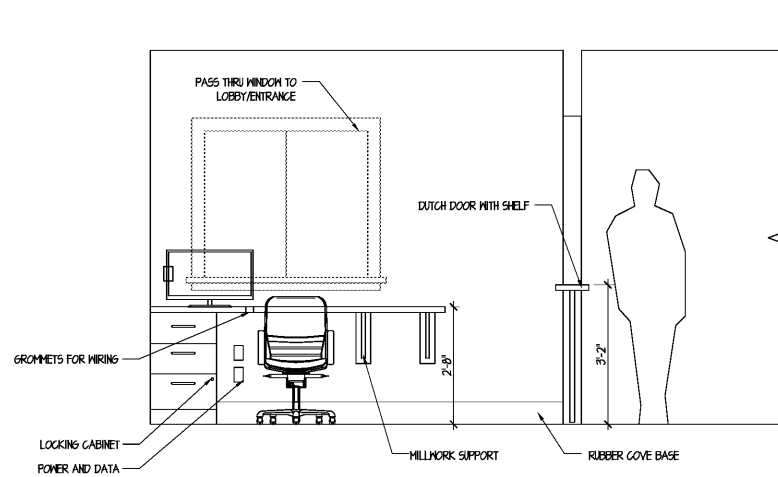
1 Typical Exam Room
A104 1/2"=1'-0"



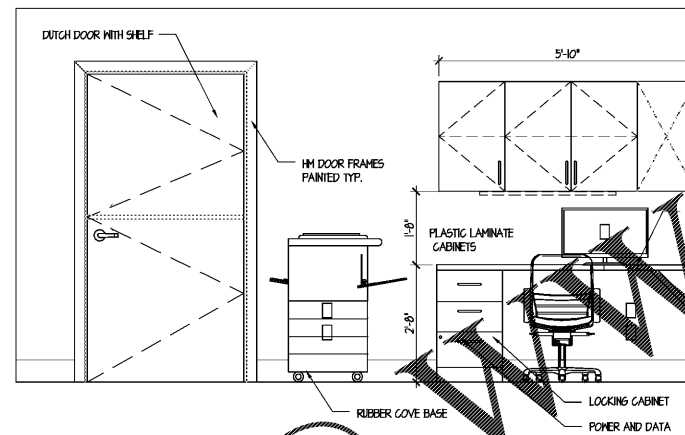
2 Procedure Room
A104 1/2"=1'-0"



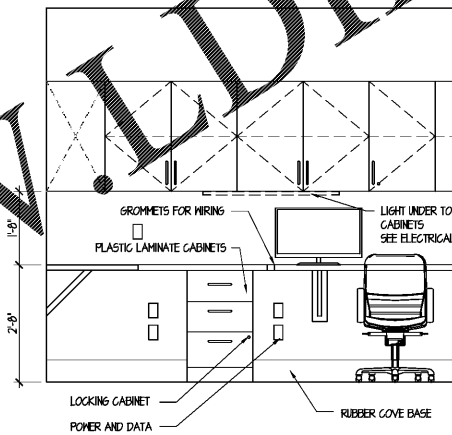
3 Nurse's Station
A104 1/2"=1'-0"



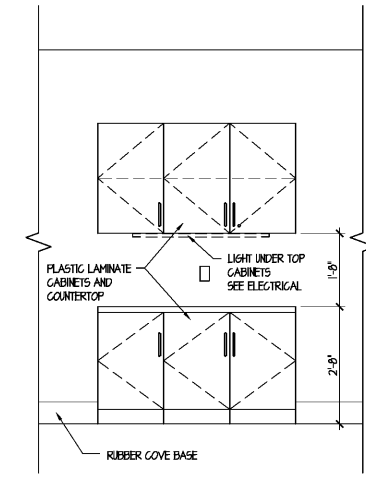
4 Office Room
A104 1/2"=1'-0"



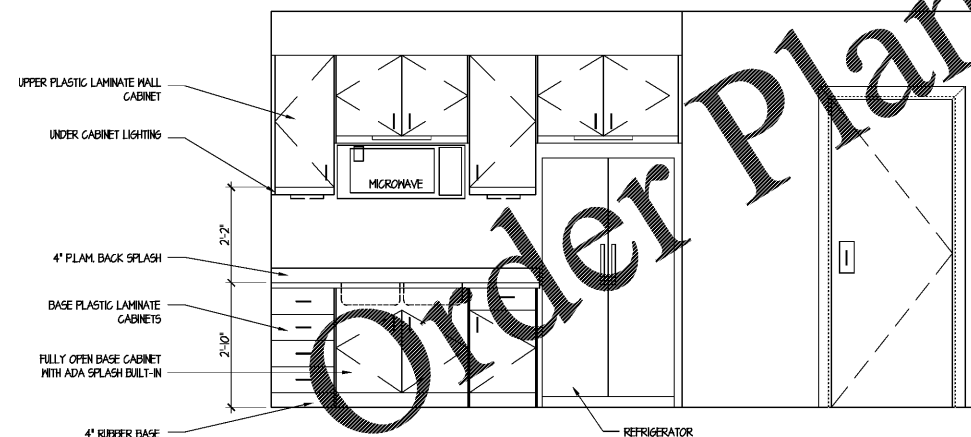
5 Office Room
A104 1/2"=1'-0"



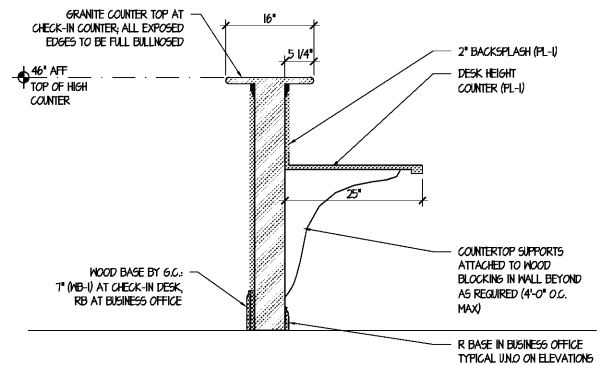
6 Office Room
A104 1/2"=1'-0"



7 Office Room
A104 1/2"=1'-0"



8 Break Room
A104 1/2"=1'-0"



9 Check In/ Check out Counter Detail
A104 3/4"=1'-0"

ISSUED / REVISIONS:

DATE	DESCRIPTION