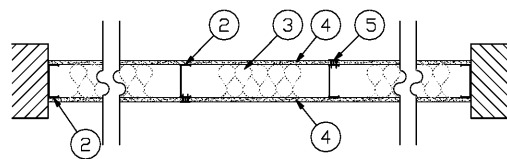


Nonbearing Wall Rating -1 Hr.



- Floor and Ceiling Runners-(Not shown)-Channel shaped runners, 3-5/8 in. wide, (min.), 1-1/4 in. legs, formed from No. 25 MSG (min.) galv. steel, attached to floor and ceiling with fasteners spaced 24 in. OC max.
- Steel Studs-Channel shaped, 3-5/8 in. wide (min.), 1-1/4 in. legs, 3/8 in. folded back returns, formed from No. 25 MSG (min.) galv. steel, spaced 24 in. OC max.
- Batts and Blankets-(Optional)-Mineral wool or glass fiber batts partially or completely filling stud cavity. See Batts and Blankets (BZJZ) category for names of Classified companies.
- Gypsum Board-5/8 in. thick, 4 ft. wide, attached to steel studs and floor and ceiling track with 1 in. long, Type S self-tapping steel screws spaced 8 in. OC along edges of board and 12 in. OC in the field of the board. Joints oriented vertically and staggered on opposite sides of the assembly. When attached to Item 6 (furring channels), wallboard is screw attached to furring channels with 1 in. long, Type S steel screws spaced 12 in. OC.
American Gypsum Co.-Type AG-C
Beijing New Building Materials Co. Ltd.-Type DBX-1
BPB America Inc.
BPB Calotec-Type 1
Canadian Gypsum Company-Types AR, C, IP-AR, IP-X2, IPC-AR, SCX, SHX, WRC or WRX
Continental Gypsum Company-Types CG-C, CGS-5, CGS-6, CGS-9, CGTC-C
G-P Gypsum Corp., Sub. of Georgia-Pacific Corp.-Type 5, 9, C, DGG, DS, GPFSS
James Hardie Gypsum Inc.-Types Max-C or Fire X
LaFarge Gypsum, Div. of LaFarge Corp.-Types LGFC2, LGFC2A, LGFC6, LGFC6A, LGFC-C, LGFC-C/A
National Gypsum Co.-Types FSK-C, FSK-G, FSW-C, FSW-G, FSW
Pabco Gypsum, Div. of Pacific Coast Building Products Inc.-Type PG-C
Rebublic Gypsum Co.-Type RG-C
Slam Gypsum Industry Co. Ltd.-Type EX-1
Standard Gypsum LLC-Type SG-C
Temple-Inland Forest Products Corp.-Type TG-C
United States Gypsum Co.-Types AR, C, FRX-G, IP-AR, IP-X2, IPC-AR, SCX, SHX, WRC or WRX
Yeso Panamericano SA de CV-Types AR, C, FRX-G, IP-AR, IP-X2, IPC-AR, SCX, SHX, WRC or WRX
- Westroc Inc.-Type Westroc Fireboard
- Gypsum Board-(As an alternate to Item 4) Nom. 3/4 in. thick, 4 ft. wide, installed as described in Item 4 with screw length increased to 1-1/4 in.
Canadian Gypsum Company-Types AR, IP-AR
United States Gypsum Co.-Types AR, IP-AR
Yeso Panamericano SA de CV-Types AR, IP-AR
- Gypsum Board-(As an alternate to Items 4, 4A and 4B) 5/8 in. thick gypsum panels, installed as described in Item 4 with Type S-12 steel screws. The length and spacing of the screws as specified under Item 4.
Canadian Gypsum Company-Type FRX
United States Gypsum Co.-Type FRX
- Joint Tape and Compound-Vinyl, dry or premixed joint compound, applied in two coats to joints and screw heads; paper tape, 2 in. wide, embedded in first layer of compound over all joints. As an alternate, nominal 3/32 in. thick gypsum veneer plaster may be applied to the entire surface of Classified veneer baseboard. Joints reinforced.
- Furring Channels-(Optional-Not shown)-Resilient 25 MSG galv. steel furring channels spaced vertically max. 24 in. OC, flange portion attached to each intersecting stud with 1/2 in. long Type S-12 panhead steel screws.

TOILET ROOM SCHEDULE

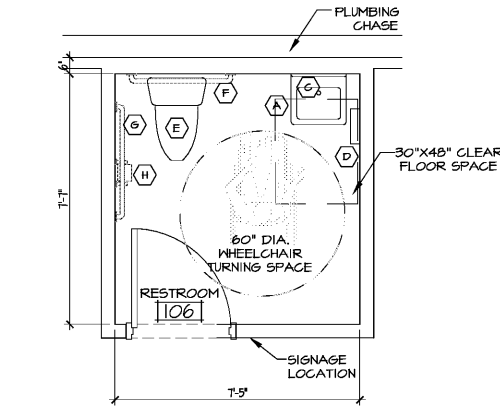
KEY	DESCRIPTION	MOUNTING HEIGHT
A	LAVATORY	24" TO BOTTOM OF RIM
B	INSULATED SUPPLY/DRAIN	9" MIN. ABOVE FLOOR
C	24" x 36" MIRROR	40" TO BOTTOM EDGE
D	PAPER TOWEL DISPENSER	40" - 50" TO BOTTOM
E	FLOOR MOUNTED TANK TOILET	17" TO 19" TO SEAT
F	36" LONG GRAB BAR	36" TO CENTERLINE
G	42" LONG GRAB BAR	36" TO CENTERLINE
H	TOILET PAPER DISPENSER	14" TO 24" TO CENTERLINE

TOILET ROOM NOTES:

- FIXTURES TO BE BOBRICK OR AMERICAN STANDARD.
- ALL INSTALLATIONS AND FIXTURES ARE TO BE IN COMPLIANCE WITH LOCAL, STATE AND FEDERAL ACCESSIBILITY REGULATIONS.
- PROVIDE BLOCKING IN WALLS AS REQUIRED TO ANCHOR FIXTURES.
- INSULATE EXPOSED HOT WATER AND DRAIN PIPES.
- MAINTAIN INTEGRITY OF ALL FIRE RATED WALLS DENOTED ON PLANS.

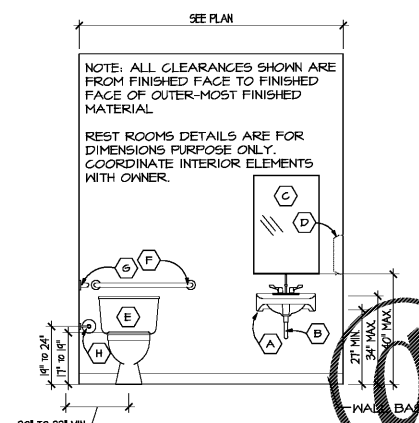
SYMBOL LEGEND

A1.1	SHEET REFERENCE	DOOR REFERENCE
(Drawing Name)	DRAWING TITLE	(A) WINDOW REFERENCE
(X AX.X)	ENLARGED PLAN DETAIL	(A104) INTERIOR ELEVATION
(X AX.X)	DETAIL REFERENCE	(A104) BEARING-HEIGHT ELEVATION LINE
(X AX.X)	SECTION REFERENCE	(A104) REVISION NUMBER
(X AX.X)	EXTERIOR ELEVATION	



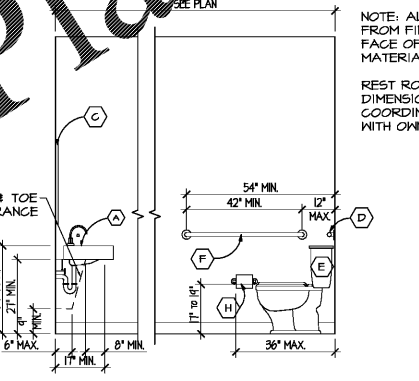
Rest Room Plan Typ. 3/8"=1'-0"

A100



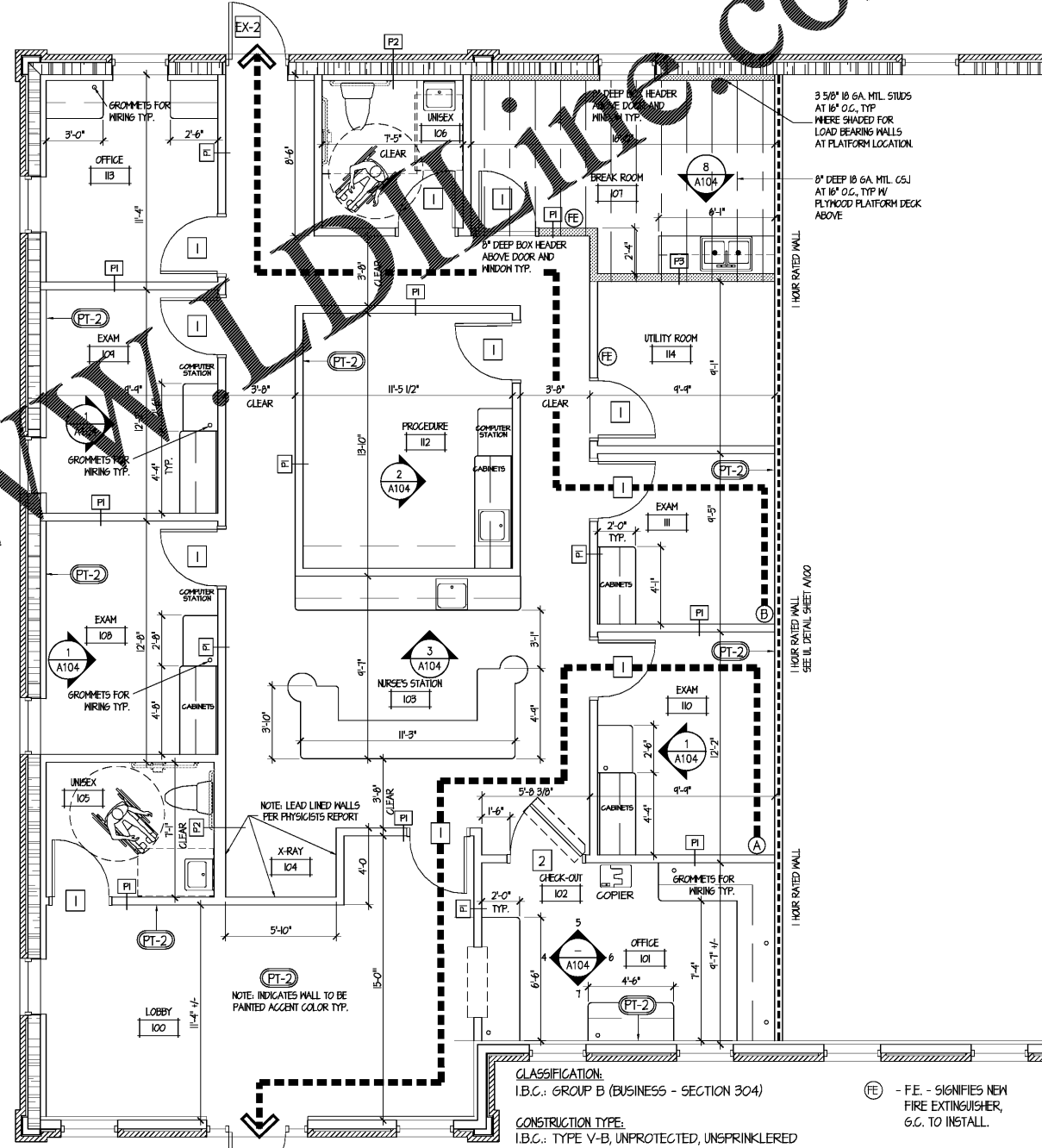
Rest Room Details 3/8"=1'-0"

A100



Rest Room Details 3/8"=1'-0"

A100

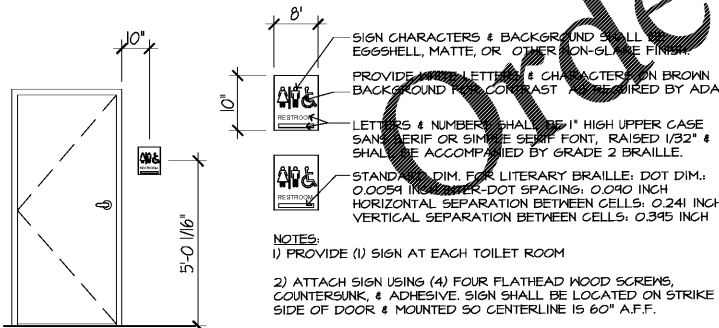


Floor Plan 1/4"=1'-0"

A100

PARTITION TYPE SCHEDULE

MARKER:	DESCRIPTION:
P1	5" INTERIOR WALL ONE (1) LAYER OF 5/8" GYPSUM WALL BOARD APPLIED TO EACH SIDE OF 3/8" METAL STUDS AT 24" O.C. SEE PLANS FIRE RATING REQUIREMENTS. (SOUND BATTS) HEIGHT: TO 6" ABOVE CEILING FIRE RATING: NONE
P2	FURRED PLUMBING WALL ONE (1) LAYER OF 5/8" GYPSUM WALL BOARD APPLIED TO EACH SIDE OF 6" METAL STUDS AT 24" O.C. IF IN RESTROOM USE MOISTURE RESISTANT 5/8" GYPSUM WALL BOARD ON RESTROOM SIDE IN LUE OR REGULAR GYPSUM WALL BOARD. (SOUND BATTS) HEIGHT: TO 6" ABOVE CEILING FIRE RATING: NONE
P3	3 5/8" 18 GA. STRUCTURAL METAL STUDS AT 16" O.C. AT FLYWOOD DECK PLATFORM ABOVE BREAK ROOM FOR MECHANICAL EQUIPMENT (SOUND BATTS)
SYMBOL:	DESCRIPTION:
(XXXXXX)	NON-RATED DEMISING WALL



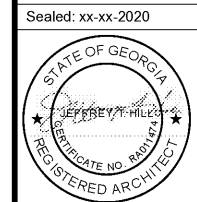
Signage Detail 1/4"=1'-0"

A100



ARCHITECTURE
ENGINEERING
3680 Pleasant Hill Road
Suite 200
Duluth, Georgia 30096
p 770.622.9858
f 770.622.9535
www.hillfoleyrossi.com

Sealed: xx-xx-2020



Suite 101 - Village Podiatry Centers
Sugar Hill Professional Park.
4749 Nelson Brogdon Blvd., Bldg. 300 Suite 101
Sugar Hill, GA, 30518
Owner: DR. CLIFF JOHNSON
Phone: 678-643-1742

ISSUED FOR CONSTRUCTION

ISSUED / REVISIONS:

DATE	DESCRIPTION:

DIMENSIONED FLOOR PLAN

A100

HRF 20-164.00