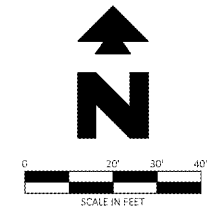
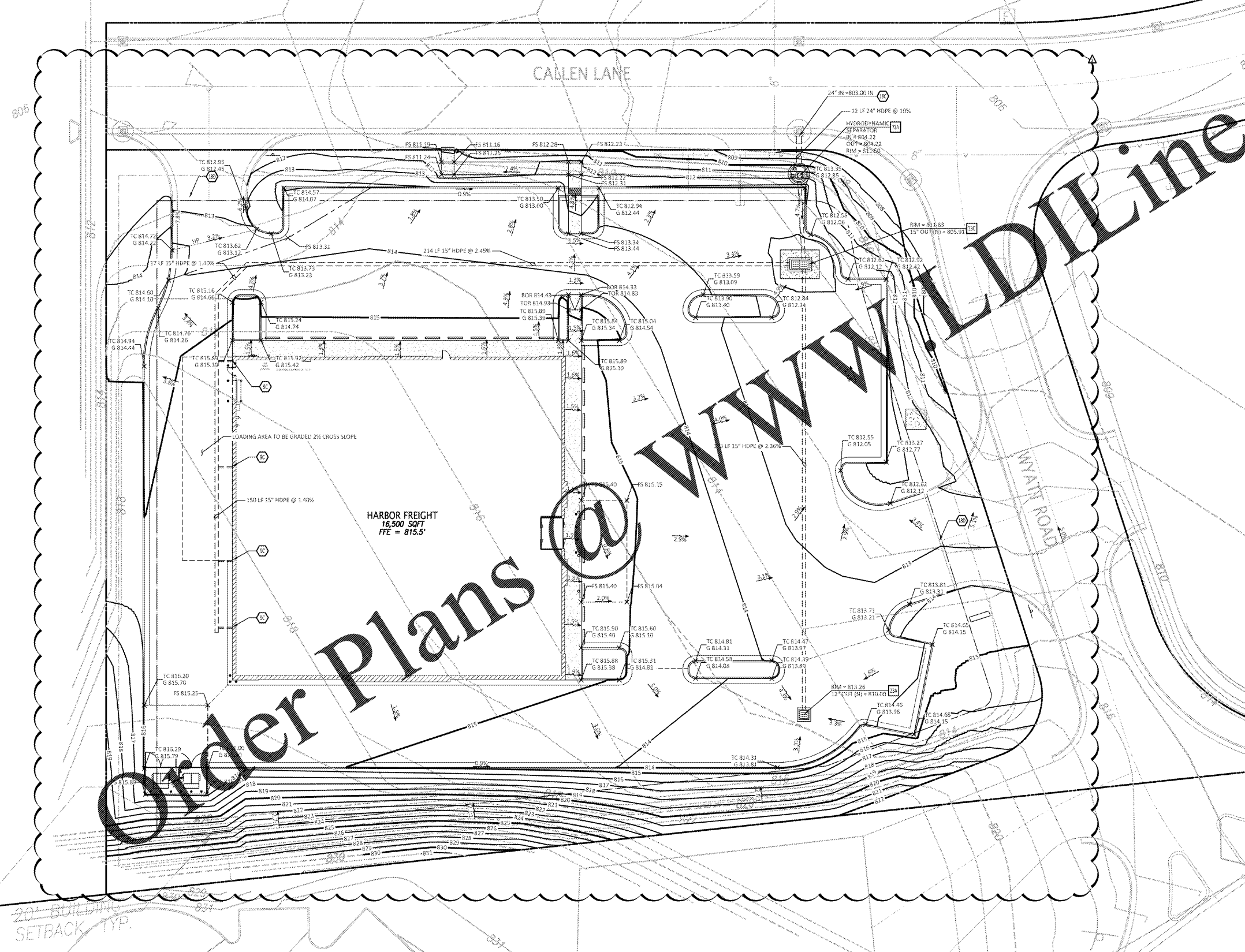


SITE BENCHMARK				
NUMBER	NORTHING (US SURVEY FOOT)	EASTING (US SURVEY FOOT)	ELEVATION (US SURVEY FOOT)	DESCRIPTION
8002	321,620.423	2,310,191.525	763.329	MAG A
8003	322,904.553	2,308,639.501	847.344	MAG B
8004	322,500.445	2,309,354.437	836.695	MAG C
8005	321,178.622	2,309,762.948	796.180	MAG D
8007	321,405.153	2,308,301.837	834.093	MAG E

#16 NAIL WITH MARKED WASHER LOCATED IN PAUL HUFF PKWY AND MOUSE CREEK RD NW AT COORDINATES LISTED ABOVE.



Know what's below.
Call before you dig.



EXISTING LEGEND			
---	EAST/ELECTRA	CHT	OVERHEAD TELEPHONE
---	WEST/WATER	CHTV	OVERHEAD TV
---	PROPERTY LINE	X'SS	SANITARY SEWER
---	UNDERGROUND	LAGSE	UNDERGROUND ELECTRIC
---	WEST OR WATER	LAGSE/T	UNDERGROUND ELECTRIC AND TELEPHONE
---	PROPERTY LINE	LAGT	UNDERGROUND TELEPHONE
---	RIGHT OF WAY LINE	LAGTV	UNDERGROUND TV
---	STORM DRAIN	X"W	WATER
---	GAS	S-11-11.50.5	TREE INFO
---	OVERHEAD ELECTRIC		3" = DIAMETER OF TRUNK IN FEET
---	OVERHEAD ELECTRIC AND TELEPHONE		10" = HEIGHT OF TREE IN FEET
			12" = CANOPY DIAMETER IN FEET
			50.5" = ELEVATION AT BASE OF TREE

PROPOSED LEGEND			
---	PROPERTY LINE/RIGHT OF WAY LINE	x XX.XX	SPOT ELEVATIONS:
---	CONTOUR ELEVATIONS		TC = TOP OF CURB
---	GRADE BREAK		G = GUTTER
---	FLOWLINE		FFE = FINISH FLOOR ELEVATION
---	STORM DRAIN		FG = FINISH GRADE

- GENERAL GRADING NOTES**
- PRIOR TO INSTALLATION OF STORM OR SANITARY SEWER, THE CONTRACTOR SHALL EXCAVATE, VERIFY, AND CALCULATE ALL CROSSINGS AND INFORM THE OWNER AND THE ENGINEER OF ANY CONFLICTS PRIOR TO CONSTRUCTION. THE ENGINEER WILL BE HELD HARMLESS IN THE EVENT THE ENGINEER IS NOT NOTIFIED OF DESIGN CONFLICTS.
 - CONTRACTOR HAS THE OPTION TO BID THE FOLLOWING MATERIAL FOR THE STORM SEWER SYSTEM EXCEPT WHERE OTHERWISE NOTED: HDPE OR RCP AS INDICATED ON THIS PLAN WHERE THE WORD PIPE IS USED. ALL PIPES SHALL HAVE A MAXIMUM ROUGHNESS COEFFICIENT (K₁₅) OF 0.13 AND SHALL MEET OR EXCEED THE PIPE MANUFACTURER'S REQUIREMENTS FOR MINIMUM AND MAXIMUM COVER. CONTRACTOR SHALL REFER TO THE SIZING SPECIFICATION SECTION FOR STORM SEWER SYSTEMS FOR ACCEPTABLE TYPE AND MATERIAL.
 - ALL SLOPES AND AREAS DISTURBED BY CONSTRUCTION SHALL BE GRADED SMOOTH AND 4" OF TOPSOIL APPLIED. IF ADEQUATE TOPSOIL IS NOT AVAILABLE ON SITE, THE CONTRACTOR SHALL PROVIDE TOPSOIL, APPROVED BY THE OWNER, AS NEEDED. THE AREA SHALL THEN BE SEED, FERTILIZED, MULCHED, WATERED AND MAINTAINED UNTIL HARDY GRASS GROWTH IS ESTABLISHED IN ALL AREAS (SEE LANDSCAPE PLAN FOR SEED MIX AND PROPER APPLICATION RATE). ANY AREAS DISTURBED FOR ANY REASON PRIOR TO FINAL ACCEPTANCE OF THE PROJECT SHALL BE CORRECTED BY THE CONTRACTOR AT NO ADDITIONAL COST TO THE OWNER.
 - THE CONTRACTOR IS SPECIFICALLY CAUTIONED THAT THE LOCATION AND/OR ELEVATION OF EXISTING UTILITIES AS SHOWN ON THESE PLANS IS BASED ON RECORDS OF THE VARIOUS UTILITY COMPANIES, AND WHERE POSSIBLE, MEASUREMENTS TAKEN IN THE FIELD. THIS INFORMATION IS NOT TO BE RELIED ON AS BEING EXACT OR COMPLETE. THE CONTRACTOR MUST CALL THE APPROPRIATE UTILITY COMPANY AT LEAST 48 HOURS BEFORE ANY EXCAVATION TO REQUEST EXACT FIELD LOCATION OF UTILITIES.
 - UNLESS OTHERWISE SHOWN, CALLED OUT OR SPECIFIED HEREON OR WITHIN THE SPECIFICATIONS: ALL STORM DRAIN PIPE BEDDING SHALL BE INSTALLED PER DETAIL 28A. ALL STORM DRAIN PIPES ARE MEASURED FROM CENTER OF STRUCTURES AND ENDS OF FLARED END SECTIONS.

- GRADING DETAILS**
- 23A GRATE INLET
 - 23C DOUBLE GRATE INLET
 - 73A HYDRODYNAMIC SEPARATOR
- GRADING NOTES**
- 09C CONNECT DOWN SPOUTS TO DRAIN PIPE. (SEE ARCH. PLANS FOR EXACT NO. AND LOCATION OF DOWN SPOUTS)
 - 18C CONNECT TO EXISTING STORM DRAIN MANHOLE OR INLET.
 - 18D MATCH EXISTING PAVEMENT ELEVATIONS.

NOTE:
SEE ARCHITECTURAL PLANS FOR EXACT LOCATIONS AND DIMENSIONS OF PORCHES, RAMPS, VESTIBULE, SLOPED PAVING, TRUCK DOCKS, BUILDING UTILITY ENTRANCE LOCATIONS AND PREISE BUILDING DIMENSIONS.

31313	7/22/20	JDG	JEH	CAG	CAG
CEI PROJECT NO.	INITIAL DATE	DPOR	PM	DES	DRW
CEI Engineering Associates, Inc.					
ENGINEERS • PLANNERS • SURVEYORS LANDSCAPE ARCHITECTS • ENVIRONMENTAL SCIENTISTS					
3030 LBJ Freeway, Suite 100 Dallas, TX 75234			(972) 488-3737 FAX (972) 488-6732		
HARBOR FREIGHT TOOLS					
WYATT RD. CLEVELAND TN					
GRADING PLAN		REV DATE 7/22/20	SHEET NO. CA		

FOR BID
PURPOSES
ONLY

NO.	DATE	DESCRIPTION
1	7-22-2020	BULLETIN #2
		REVISIONS

JOB # 31313 DRAWING: 31313-GP-FINAL.dwg LAST SAVED BY: COROLAND LOCATION: P:\31000\31313\31313-0\Drawings\Design\Working\31313-GP-FINAL.dwg