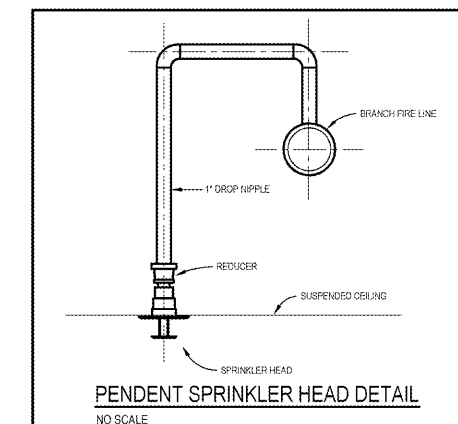
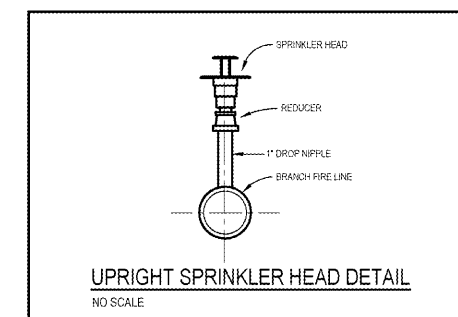


**FIRE RISER DETAIL**  
NO SCALE



**PENDENT SPRINKLER HEAD DETAIL**  
NO SCALE



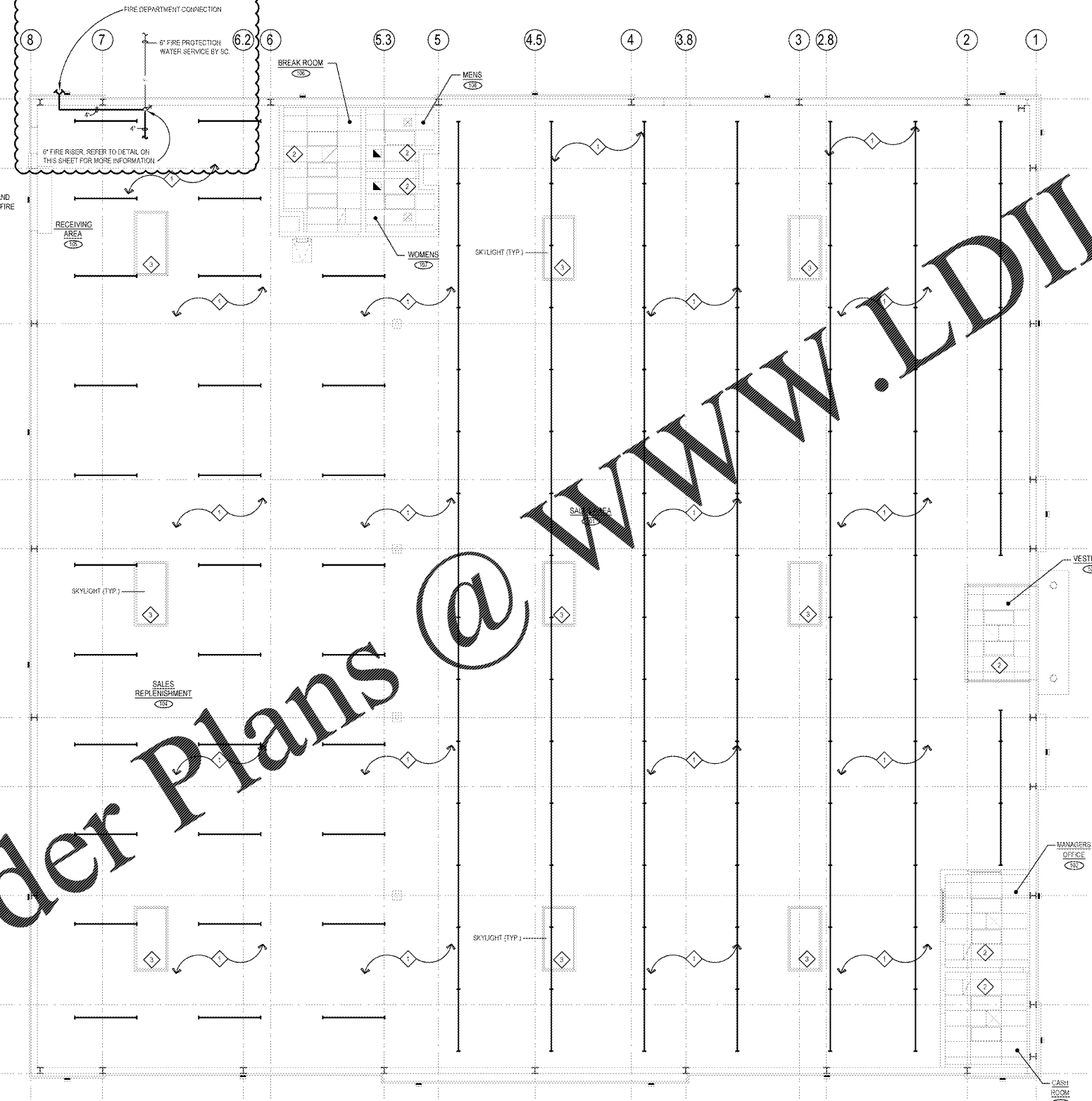
**UPRIGHT SPRINKLER HEAD DETAIL**  
NO SCALE

NOTE:  
GENERAL CONTRACTOR SHALL VERIFY SPRINKLER SYSTEM MONITORING, CERTIFICATION STATUS AND PREFERRED VENDOR REQUIREMENTS WITH HARBOR FREIGHT TOOLS' PROJECT MANAGER PRIOR TO SUBMITTING BID.

NOTE:  
GENERAL CONTRACTOR SHALL COORDINATE WITH BY AND LANDLORD FOR MONITORING REQUIREMENTS.

NOTE:  
SPRINKLER CONTRACTOR SHALL DESIGN SPRINKLER SYSTEM BASED ON SEISMIC DESIGN CATEGORY D.

NOTE: SPRINKLER CONTRACTOR SHALL REFER TO CIVIL DRAWINGS FOR LOCATION AND MORE INFORMATION REGARDING THE FIRE SUPPRESSION BACKFLOW PREVENTER



**FIRE PROTECTION PLAN**  
SCALE: 1/8" = 1'-0"

**FIRE PROTECTION NOTES:**

- THIS DRAWING IS FOR REFERENCE PURPOSE ONLY. THE FIRE SPRINKLER CONTRACTOR SHALL BE RESPONSIBLE FOR THE FULL DESIGN OF THE SPRINKLER SYSTEM AND ITS CONFORMANCE TO NFPA 13 AND ANY LOCAL CODE REQUIREMENTS. THE FIRE PROTECTION CONTRACTOR SHALL INCLUDE ALL NEEDED OFFSETS, CHANGES IN DIRECTION, TRANSITIONS, ETC. NEEDED FOR COMPLETE AND OPERATIONAL SYSTEMS.
- PERFORM ALL WORK IN ACCORDANCE WITH THE RULES & REGULATIONS OF THE APPROPRIATE STATE AND LOCAL BUILDING CODES AND SUBTITLES.
- QUESTIONS REGARDING THESE DRAWINGS SHALL BE ADDRESSED TO THE ENGINEER PRIOR TO THE AWARDED OF THE CONTRACT. OTHERWISE THE ENGINEER'S INTERPRETATION OF THE MEANING AND INTENT OF THE DRAWINGS SHALL BE FINAL.
- SPRINKLER CONTRACTOR IS RESPONSIBLE TO OBTAIN A COPY OF THE SPECIFICATION ON DWG. M1.3 AND COMPLYING WITH THE REQUIREMENTS THEREIN.
- SPRINKLER CONTRACTOR SHALL REVIEW ARCHITECTURAL DRAWINGS FOR CEILING TYPES, HEIGHTS, COLOR, ELEVATIONS, SOFFITS, DISPLAY WINDOWS, ETC.
- FIRE PROTECTION WORKING DRAWINGS COMPLETE WITH HYDRAULIC CALCULATIONS MUST BE SUBMITTED FOR LOCAL AUTHORITY DEPARTMENT REVIEW AND APPROVAL AT LEAST TWO WEEKS BEFORE THE PROJECTED INSTALLATION DATE.
- FAILURE TO OBTAIN APPROVAL OF THESE DRAWINGS BEFORE INSTALLATION COULD RESULT NOT ONLY IN DELAY OF THE FINAL INSPECTION AND ISSUANCE OF AN OCCUPANCY PERMIT, BUT ALSO IN REMOVAL AND RECONSTRUCTION OF INSTALLATIONS WHICH FAIL TO MEET LOCAL AND NFPA REQUIREMENTS.
- SPRINKLER CONTRACTOR SHALL SUBMIT WORKING FIRE PROTECTION PLANS, HYDRAULIC CALCULATIONS, ETC., TO THE FIRE DEPARTMENT FOR SEPARATE PLAN CHECK, IF REQUIRED.
- THE CONTRACTOR WILL VISIT THE SITE AND BE RESPONSIBLE WITH SITE CONDITIONS. NO EQUIPMENT OR MATERIAL IS TO BE ORDERED OR FABRICATED PRIOR TO FIELD VERIFICATION OF ALL MEASUREMENTS, CLEARANCES, POTENTIAL CONFLICTS WITH EXISTING CONDITIONS OR THAT OF OTHER TRADES ON THE JOB.
- FIRE PROTECTION SHOP DRAWINGS MUST BE SUBMITTED FOR LOCAL AUTHORITY DEPARTMENT REVIEW AND APPROVAL AT LEAST TWO WEEKS BEFORE THE PROJECTED INSTALLATION DATE.
- SPRINKLER CONTRACTOR SHALL WORK CLOSELY WITH GENERAL CONTRACTOR AND/OR HARBOR FREIGHT TOOLS' FIELD REPRESENTATIVE FOR CEILING HEIGHTS, RACKING LOCATION AND HEIGHTS, COMMODITY BEING USED, ETC. FOR DETERMINING THE DESIGN DENSITY REQUIRED.
- SPRINKLER CONTRACTOR SHALL OBTAIN CURRENT (WITHIN 1-YEAR) FLOW DATA ON CITY WATER MAIN TO BE USED FOR HYDRAULIC CALCULATIONS.
- PIPING TO BE SUPPORTED PER SMACNA STANDARDS RESTRAINT MANUAL AND ALSO THE FEDERAL EMERGENCY MANAGEMENT AGENCY "INSTALLING SEISMIC RESTRAINTS FOR DUCT AND PIPE" AND PER THE TENNESSEE BUILDING CODE.

**FIRE PROTECTION KEY NOTES:**

- SPRINKLER HEADS IN OPEN CEILING SHALL BE UPRIGHT TYPE PER NFPA 13 REQUIREMENTS. HEADS TO BE BRASS. SPRINKLER PIPING TO MAINTAIN MINIMUM CLEARANCE OF 13'-0" ABOVE FINISH FLOOR IN OPEN AREAS.
- SPRINKLER HEADS IN CEILING SHALL BE PENDENT TYPE PER NFPA 13 REQUIREMENTS. HEADS TO BE CHROME.
- SPRINKLER CONTRACTOR SHALL ENSURE PROPER COVERAGE FOR SKYLIGHTS.

**DESIGN CRITERIA**

**FIRE PROTECTION AREA TYPES:**

- A) ORDINARY HAZARD II - 0.20 GPM/SQ.FT. OVER 1500 SQ.FT. WITH 250 GPM HOSE ALLOWANCE. SPRINKLERS SHALL BE SPACED AT A 130 SQ.FT. MAXIMUM WITH SPRINKLER HEADS AT A MAXIMUM OF 13'-0" APART AND SPACED AT A MAXIMUM OF 6'-6" FROM ALL WALLS.
  - B) LIGHT HAZARD - 0.10 GPM/SQ.FT. OVER 1500 SQ.FT. WITH 100 GPM HOSE ALLOWANCE. SPRINKLERS SHALL BE SPACED AT A 225 SQ.FT. MAXIMUM WITH SPRINKLER HEADS AT A MAXIMUM OF 15'-0" APART AND SPACED AT A MAXIMUM OF 7'-6" FROM ALL WALLS.
- SALES: ORDINARY HAZARD II  
SALES REPLENISHMENT: ORDINARY HAZARD II  
BREAK ROOM: LIGHT HAZARD  
TOILET ROOMS: LIGHT HAZARD

NOTE: FIRE PROTECTION CONTRACTOR SHALL REFER TO DWG. M1.3 FOR FIRE PROTECTION SPECIFICATIONS



**ARCHITECTS, INC.**  
Lakewood, Ohio 44107  
17710 Detroit Avenue  
Phone (216) 521-5134  
Fax (216) 521-4824  
www.a2darchitects.com

**HARBOR FREIGHT TOOLS**  
705 WYATT ROAD NORTHWEST  
CLEVELAND, TN 37312

REVISIONS

#	DATE	TYPE	BULLETIN #
1	8/25/20		
2			
3			
4			
5			
6			
7			
8			
9			
10			

**FIRE PROTECTION PLAN**  
DATE: 06/02/20  
JOB NO. 19155  
**FP1.0**  
SHEET NO.