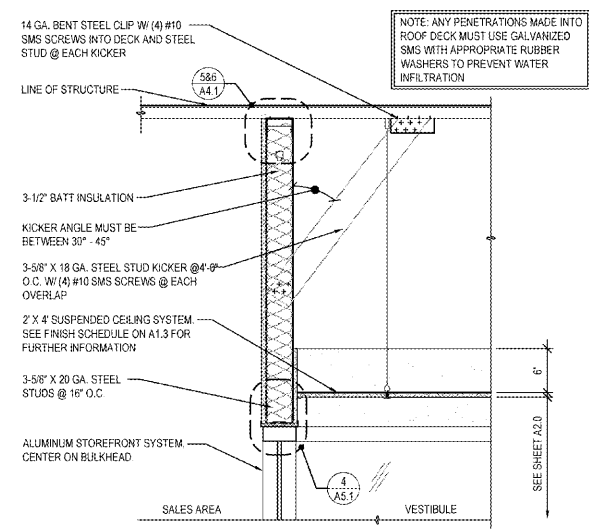
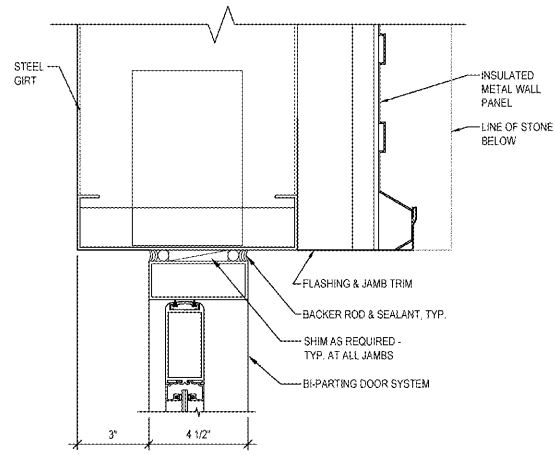


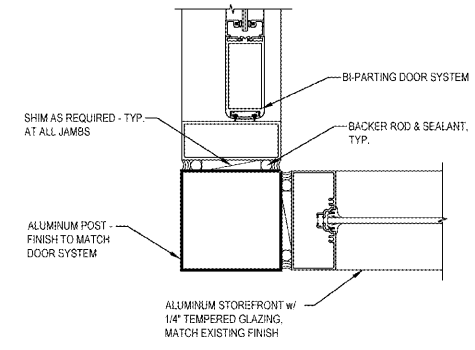
4 VESTIBULE HEAD DETAIL
A5.1 SCALE: 3" = 1'-0"



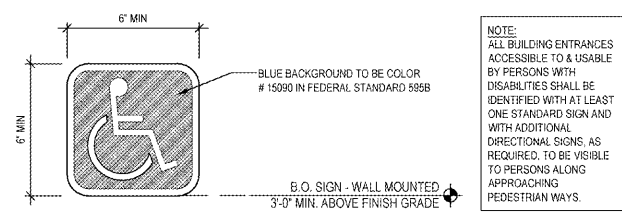
3 VESTIBULE BULKHEAD SECTION
A5.1 SCALE: 1" = 1'-0"



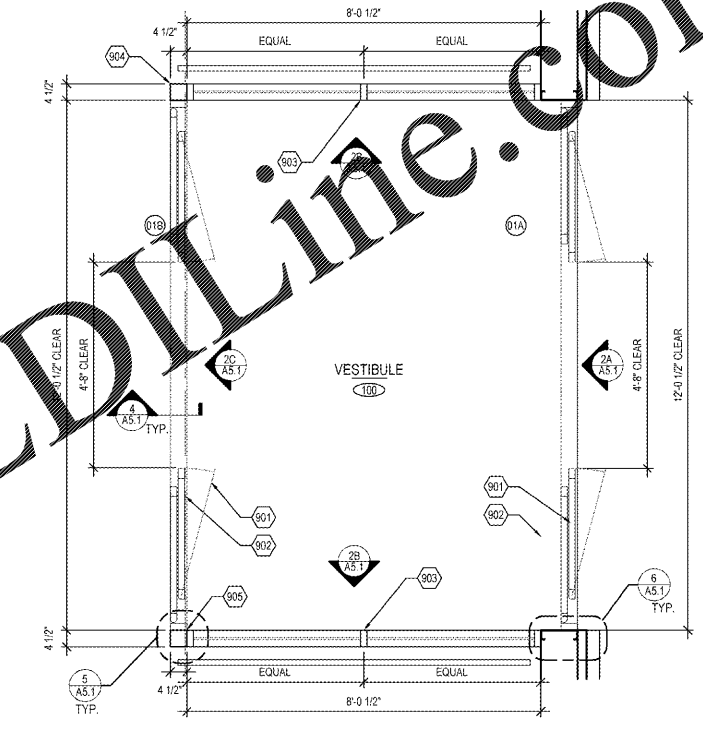
6 STOREFRONT JAMB DETAIL
A5.1 SCALE: 3" = 1'-0"



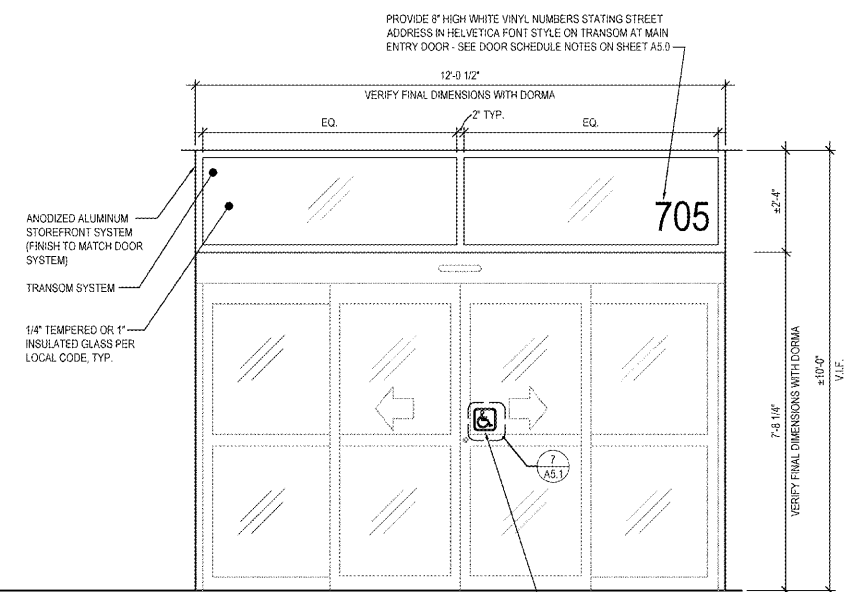
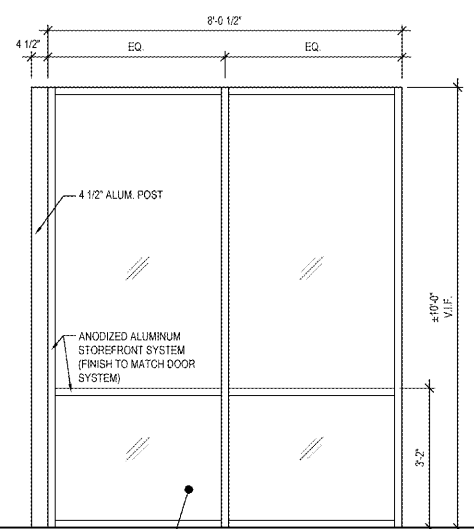
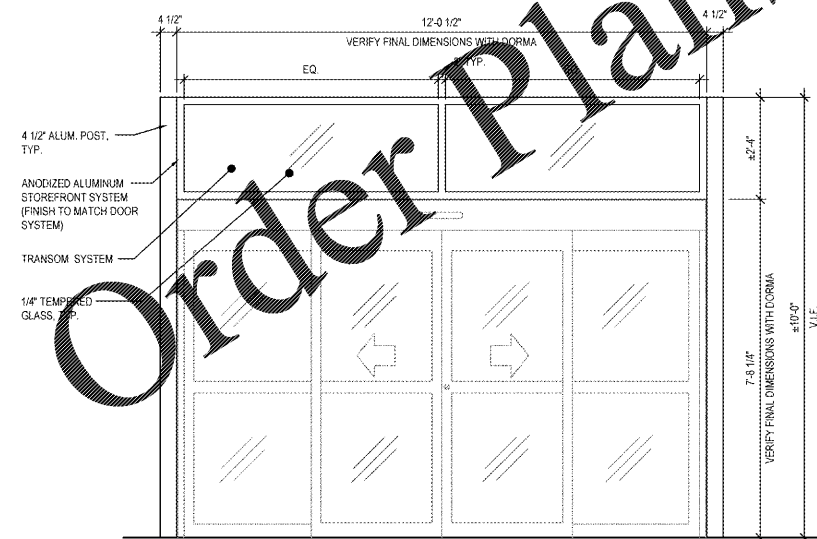
5 STOREFRONT JAMB DETAIL
A5.1 SCALE: 3" = 1'-0"



7 ACCESSIBLE ENTRANCE SIGNAGE
A5.1 SCALE: 3" = 1'-0"



1 VESTIBULE PLAN DETAIL
A5.1 SCALE: 1/2" = 1'-0"



2 STOREFRONT ELEVATIONS
A5.1 SCALE: 1/2" = 1'-0"

GENERAL NOTES

- ALL GLAZING TO BE 1/4" TEMPERED.
- ALL STOREFRONT AND VESTIBULE MULLIONS TO ALIGN WITH EXISTING STOREFRONT MULLIONS AS APPLICABLE.

VESTIBULE KEY NOTES

- DENOTES EMERGENCY DOOR BREAK OUT.
- DENOTES DORMA BI PARTING ENTRY DOOR PACKAGE. TO BE CONSTRUCTED BY DORMA. SEE SHEET A0.0 FOR VENDOR INFORMATION.
- NEW STOREFRONT SYSTEM.
- 4 1/2" ALUM. POST - FINISH TO MATCH DOOR SYSTEM, TYP.

NOTE: G.C. TO FIELD VERIFY ALL EXISTING DIMENSIONS AND COORDINATE WITH DORMA DOOR BEFORE ORDERING.

NOTE: ALL ALUMINUM STOREFRONT FINISH TO MATCH NEW DOOR SYSTEM IN DOOR SCHEDULE ON SHEET A5.0 (FINISH: SITE SPECIFIC).

NOTE: ANY PENETRATIONS MADE INTO ROOF DECK MUST USE GALVANIZED SMS WITH APPROPRIATE RUBBER WASHERS TO PREVENT WATER INFILTRATION.



HARBOR FREIGHT TOOLS ARCHITECTS, INC.
17710 Detroit Avenue, Lakewood, Ohio 44107
Phone (216) 521-5134 Fax (216) 521-4824
www.aadaarchitects.com

HARBOR FREIGHT TOOLS
705 WYATT ROAD NORTHWEST
CLEVELAND, TN 37312

This document is the property of Harbor Freight Tools Architects, Inc. (HFTA). It is to be used only for the project and site specified. HFTA makes no warranty, express or implied, for any use of this document for any other project. In addition, HFTA makes no warranty, express or implied, for any use of this document for any other project. HFTA makes no warranty, express or implied, for any use of this document for any other project. HFTA makes no warranty, express or implied, for any use of this document for any other project.

REVISIONS	
#	DATE
1	
2	
3	
4	
5	
6	
7	
8	
9	
10	

ENLARGED VESTIBULE PLAN & DETAILS

DATE 06/02/20

JOB NO. 19155

A5.1
SHEET NO.

Order Plans @ www.LDILine.com

www.LDILine.com

DO NOT SCALE THESE DRAWINGS